

# 前言 Preface

本备件图册针对的车型：CK-6122J12-5PGAD-Q

The parts catalogue of bus model: CK-6122J12-5PGAD-Q

合同号：3141082

Contract No. 3141082

车型基本配置表：Basic configuration form for this bus model:

| 名称 Name                      | 总成号 Assembly        | 厂家 Factory  |
|------------------------------|---------------------|-------------|
| 发动机 Engine                   | ISM11E5440-AA1GD1   | 康明斯 Cummins |
| 变速箱 Gearbox                  | T450R-GT20140915001 | 艾利逊 Allison |
| 前桥 Front axle                | 4474085218          | ZF          |
| 后桥 Rear axle                 | 4474035560          | ZF          |
| 前悬 Front suspension          | Bring with axle     |             |
| 后悬 Rear suspension           | Bring with axle     |             |
| ABS                          | ASR-E-WABC0-04      | WABCO       |
| 空调系统 Air-conditioning system | SZQ-VI-D            | 松芝 SONGZ    |

本备件图册上的插图主要标示有关零部件的基本工艺图形。插图上涉及到的零部件尺寸比例、安装方向以及装配顺序可能不精确，因此本备件图册建议仅用于指导用户采购零部件用，不建议用于指导装配或维修。为避免出现不必要的错误，当您采购零部件配件时，请提供如下信息：

Illustration in this spare parts catalogue shows mainly basic process sketch for related parts. The dimension scale, direction of installation and assembling procedures referred in the illustrations may be inaccurate; therefore it is recommended to be only used as a guide for part ordering but not for assembling and maintenance. While ordering parts, please provide the following information to avoid unnecessary mistakes:

1. 整车型号、出厂编号(以上的型号、编号请参见位于车内乘客门上方的整车铭牌上);
1. Whole bus model, serial No. (Please refer to interior nameplate located above the passenger door):
2. 需采购的零部件件号及件名;
2. Name and part No. of parts to be ordered;
3. 所采购零部件的数量;
3. Quantity of parts to be ordered;
4. 零部件外形照片(可能的情况下)。
4. Picture of parts (if available).

特别说明: Special instructions:

1. 备注栏项易损件指车辆正常使用时必须消耗或损坏率较高需要更换的零部件, 建议用户常备一定数量备用;

1. 'Wearing parts' in 'remark' column means those parts could be worn easily during normal operation and should be replaced frequently; it is recommended for users to have certain quantity of them in stock.

2. 备注栏项不零售件指本配件为标准件或相对耐用损坏率较低, 建议标准件当地采购; 非标准件原则上不零售, 如有损坏, 建议按小总成件采购。

2. "Non-retail parts" in "remark" column means those parts are standard parts or durable parts; it is recommended to purchase locally for standard parts; for non-standard parts, they are not sold separately in principle; if they are broken, it is recommended to purchase in form of small assemblies.

本备件图册所包含的采购信息和规格资料, 全部出自编写时的最新产品信息。金旅公司的产品处于不断更新提升中, 因此零部件、编号、规格、数量以及各个零件的工艺图形、外观可能会有所变更。厦门金龙旅行车有限公司有权在不预先通知的情况下随时做出变更。如有变更, 请以变更的为准!

All of ordering information and specifications in this spare parts catalogue are latest products information while this Catalogue is being compiled. Parts, numbers, specifications, quantities and process outlines and appearances of parts in this catalogue may not be in accordance with specific objects due to continuous updating of Golden Dragon products. Golden Dragon has the right to modify them without notification in advance. Any detail should be subject to specific objects.

另外, 本备件图册原则上每年度更新一次, 建议用户按最新年度版本的备件图册指导采购零部件, 避免因图册年度更新而产生错误。

In addition, this catalogue will be updated annually in principle; it is recommended for users to order parts according to latest version to avoid mistakes resulted from annual update.

厦门金龙旅行车有限公司  
Xiamen Golden Dragon Bus Co., Ltd.  
2015年5月  
May, 2015

# 目 录 CONTENTS

|           |   |           |
|-----------|---|-----------|
| <b>01</b> | <b>车辆前部 FRONT OF THE VEHICLE</b> .....                    | <b>6</b>  |
| 01-1      | 前围 FRONT PANEL.....                                       | 7         |
|           | 6139X01-3741100-RUS 雨刮器总成 FRONT WIPER.....                | 9         |
| <b>02</b> | <b>车辆侧围 SIDE OF THE VEHICLE</b> .....                     | <b>11</b> |
| 02-1      | 侧围 SIDE PANEL.....  | 12        |
| 02-2      | 侧仓门 SIDE COMPARTMENT.....                                 | 15        |
| 02-2-1    | 蓄电池仓布置 BATTERY COMPARTMENT.....                           | 19        |
| 02-3      | 乘客门安装总成 PASSENGER DOOR INSTALLATION ASSEMBLY.....         | 21        |
| <b>03</b> | <b>车辆后部 REAR OF THE VEHICLE</b> .....                     | <b>24</b> |
| 03-1      | 后围 REAR PANEL.....  | 25        |
| <b>04</b> | <b>车内前部 FRONT OF THE INTERIOR VEHICLE</b> .....           | <b>27</b> |
| 04-1      | 驾驶区布置 DRIVER COMPARTMENT.....                             | 28        |
| 04-2      | 前部仪表电器 ELECTRICAL APPARATUS, FRONT INSTRUMENTS PANEL..... | 30        |
|           | 6999A01-3700100-RUS1 电器盒 ELECTRIC BOX.....                | 33        |
| <b>05</b> | <b>车辆内部 INTERIOR VEHICLE</b> .....                        | <b>35</b> |
| 05-1      | 顶盖和侧围 TOP COVER&SIDE PANEL.....                           | 36        |
| 05-2      | 整车扶手及座椅总成 ARMREST&SEAT.....                               | 41        |
| 05-3      | 地板革和检修盖 FLOOR COVERING & REPAIR HATCH.....                | 43        |
| <b>06</b> | <b>转向系统 STEERING SYSTEM</b> .....                         | <b>45</b> |
| 06-1      | 转向系统布置 STEERING SYSTEM.....                               | 46        |
| 06-2      | 转向操纵助力管路 STEERING OPERATION BOOSTING PIPELINE.....        | 48        |
|           | 3408WG-010B 转向助力油壶 STEERING OIL CAN.....                  | 51        |
| <b>09</b> | <b>制动系统 BRAKE SYSTEM</b> .....                            | <b>53</b> |

|                 |  |            |
|-----------------|--|------------|
| 09-1            | 制动原理图 SCHEMATIC DIAGRAM, BRAKE.....                    | 54         |
| 09-2            | 制动管路系统 ARRANGEMENT DIAGRAM, BRAKE.....                 | 56         |
| 09-2-1          | 控制及前刹部分 CONTROL AND FRONT BRAKE.....                   | 57         |
| 09-2-2          | 储气筒及四保阀部分 AIR CYLINDER AND 4-WAY PROTECTIVE VALVE..... | 59         |
| 09-2-3          | 气源部分 AIR SUPPLY .....                                  | 61         |
| 09-2-4          | 后刹及驻车部分 REAR BRAKE AND PARKING BRAKE .....             | 63         |
| 09-3            | 制动防抱死系统 (ABS) ANTI-LOCK BRAKING SYSTEM (ABS) .....     | 65         |
| <b>10</b>       | <b>底盘总成件 CHASSIS ASSEMBLY PARTS .....</b>              | <b>67</b>  |
| 10-1F           | 前桥总成 FRONT AXLE ASSEMBLY .....                         | 68         |
| 10-1R           | 后桥总成 REAR AXLE ASSEMBLY .....                          | 70         |
| 10-2FS          | 前稳定杆安装总成 FRONT STABILIZER INSTALL ASSEMBLY .....       | 72         |
| 10-2RS          | 后稳定杆安装总成 REAR SUSPENSION ASSEMBLY .....                | 74         |
| 10-2L           | 空气调平 AIR LEVELING .....                                | 76         |
| 10-3            | 车轮安装 WHEEL INSTALLTION .....                           | 78         |
| 10-4            | 传动轴安装 DRIVE SHAFT INSTALLATION.....                    | 80         |
| 6139X04-2201010 | 传动轴 DRIVE SHAFT .....                                  | 82         |
| 10-5            | 变速箱总成 GEARBOX ASSEMBLY .....                           | 84         |
| 10-6            | 发动机及周边件 ENGINE& AROUND PARTS .....                     | 86         |
| F339A           | 发电机附件组 ACCESSORIES.....                                | 88         |
| AC172RA374A     | 发电机 GENERATOR .....                                    | 90         |
| 10-6-1          | 发动机悬置 ENGINE MOUNTING SYSTEM.....                      | 92         |
| 10-8            | 集中润滑系统 CHASSIS LUBRICATION SYSTEM.....                 | 94         |
| KFD-A           | 集中润滑装置 CONTRAL LUBRICATION DEVICE .....                | 96         |
| <b>11</b>       | <b>供给系统 FUEL SYSTEM .....</b>                          | <b>98</b>  |
| 11-1            | 燃油供给管路 FUEL SUPPLY PIPELINE .....                      | 99         |
| 11-2            | 油门操纵机构 THROTTLE CONTROL MECHANISM .....                | 101        |
| <b>12</b>       | <b>进气系统 AIR INTAKE SYSTEM.....</b>                     | <b>103</b> |
| 12-1            | 进气系统布置 AIR INTAKE SYSTEM.....                          | 104        |
| AH24201-HY      | 空滤器总成 AIR FILTER .....                                 | 106        |

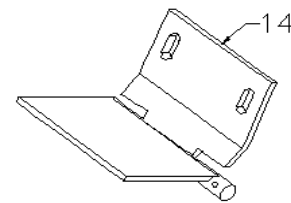
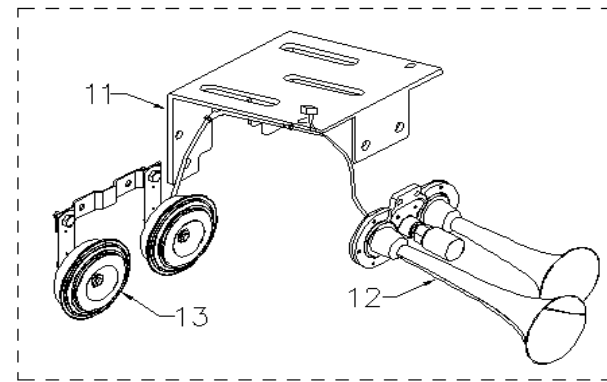
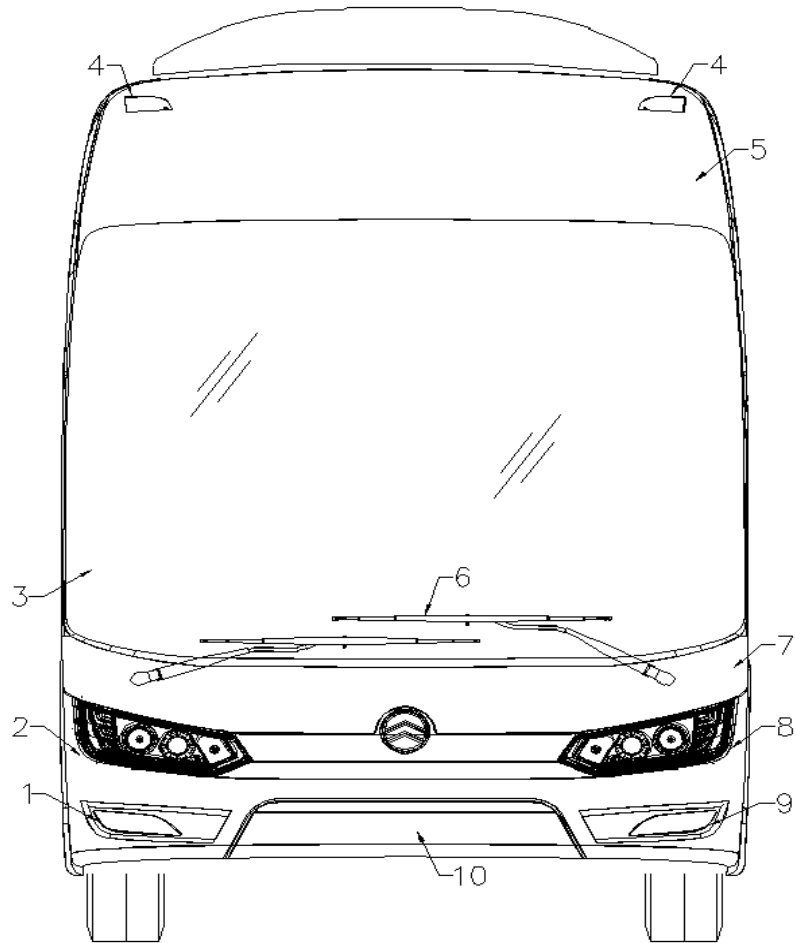
|           |  |            |
|-----------|--|------------|
| <b>13</b> | <b>排气系统 EXHAUST SYSTEM .....</b>   | <b>108</b> |
| 13-1      | 排气系统布置 EXHAUST SYSTEM .....  | 109        |
| <b>14</b> | <b>冷却系统 COOLING SYSTEM .....</b>   | <b>111</b> |
| 14-1      | 冷却系统布置 COOLING SYSTEM.....   | 112        |
|           | FZ6142GR-1308100 调节杆中间轮 INTERMEDIATE PULLEY ASSY., ADJUSTING LEVER ..... | 115        |
|           | 6121J01-1311010-JSG 膨胀水箱 EXPENSION WATER TANK .....                      | 117        |
| <b>15</b> | <b>空调系统 AIR CONDITIONING SYSTEM.....</b>                                 | <b>119</b> |
| 15-1      | 空调系统布置 AIR CONDITIONING SYSTEM.....                                      | 120        |
|           | 8SC3110V 空调发电机 A/C GENERATOR .....                                       | 122        |
|           | SZQ-VI-D 松芝空调 AIR CONDITIONER.....                                       | 125        |
| <b>16</b> | <b>暖风系统 HEATING SYSTEM.....</b>  | <b>127</b> |
| 16-1      | 暖风管路布置 HEATING PIPELINE .....  | 128        |
|           | CS-14H-30 除霜器 DEFROSTER.....   | 130        |
|           | T350 加热器总成 THE HEATER ASSEMBLY .....                                     | 132        |
| <b>17</b> | <b>其他说明 OTHER INSTRUCTION .....</b>                                      | <b>134</b> |
| 17-1      | 整车标识牌 NAME PLATE, COMPLETE SET.....                                      | 135        |
| 17-2      | 整车锁 LOCK, COMPLETE SET.....  | 137        |
| 17-3      | 随车工具 TOOLS SUPPLIED WITH THE BUS.....                                    | 139        |
|           | XML-3900 随车工具箱 TOOLS SUPPLIED WITH THE BUS.....                          | 140        |
| 17-4      | 整车线束 HARNESS,COMPLETE SET .....  | 142        |

**01 车辆前部 FRONT OF THE VEHICLE**

**车辆前部**  
**FRONT OF THE VEHICLE**

01-1

前围 FRONT PANEL



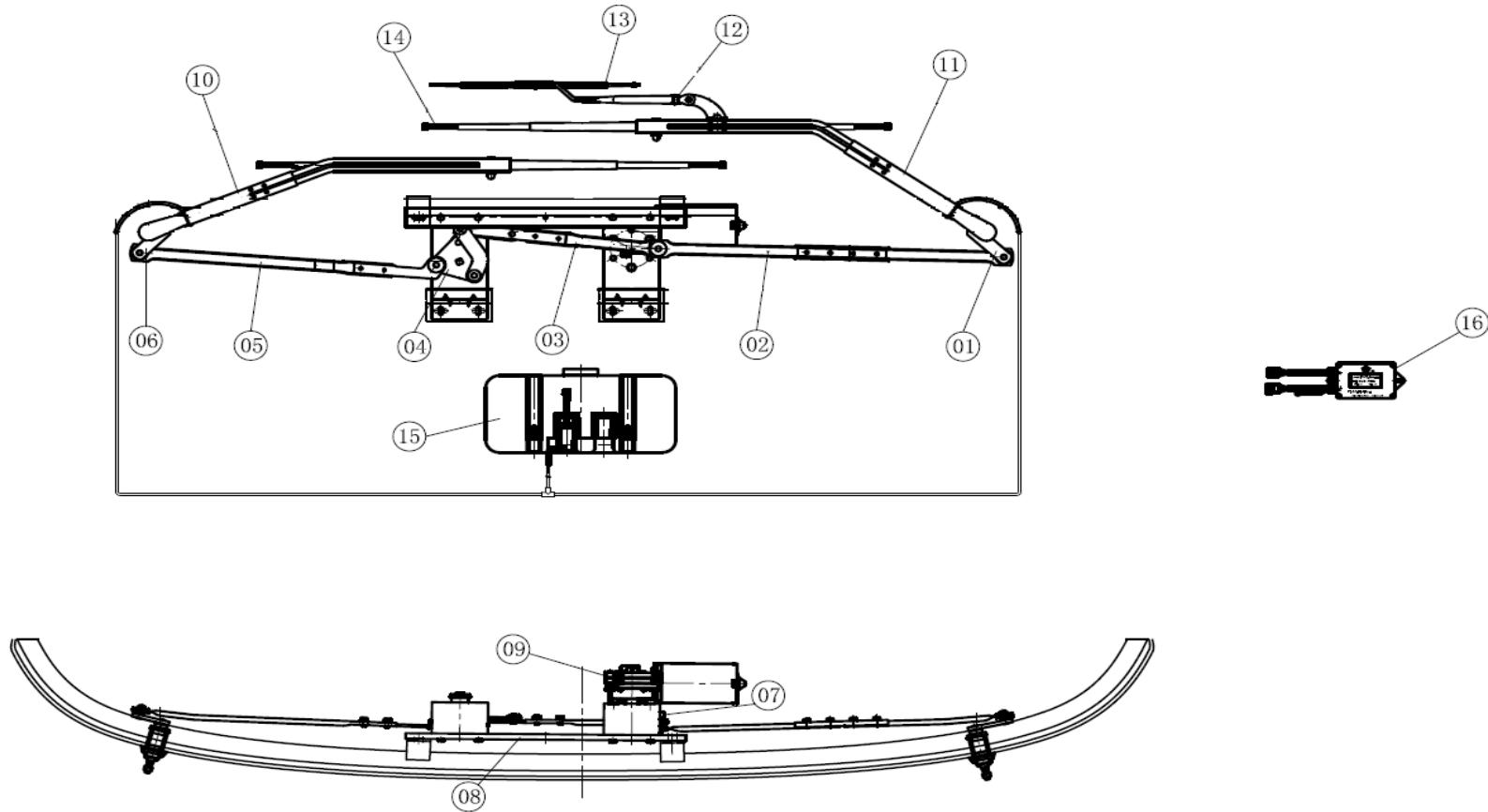
## 01-1 前围 FRONT PANEL

| 序号 S/N | 件号 PART CODE        | 件名 PART NAME | 英文件名 PART NAME                 | 规格 SPEC | 数量 QTY | 备注 REMARK |
|--------|---------------------|--------------|--------------------------------|---------|--------|-----------|
| 1      | W366X190-R          | 右前雾灯         | Foglight, front right          |         | 1      |           |
| 2      | H-QZ635X310R        | 右前组合灯        | Combined lamp, front (right)   |         | 1      |           |
| 3      | 6139X03-5206011     | 前风挡玻璃        | Windshield glass, front        |         | 1      |           |
| 4      | SK165X50            | 前示廓灯         | Front marker lamp              |         | 2      |           |
| 5      | 6139X03-5302020     | 上顶蒙皮         | The top skin                   |         | 1      |           |
| 6      | 6139X01-3741100-RUS | 雨刮器总成        | Front wiper assy.              |         | 1      |           |
| 7      | 6139X03-5302010-F   | 前围下蒙皮        | Front panel assembly           |         | 1      |           |
| 8      | H-QZ635X310L        | 左前组合灯        | Combined lamp, front (left)    |         | 1      |           |
| 9      | W366X190-L          | 左前雾灯         | Foglight, front left           |         | 1      |           |
| 10     | 6139X03-5302050-F   | 检修门总成        | Access cover                   |         | 1      |           |
| 11     | 3721-004A0          | 喇叭支架         | Bracket, horn                  |         | 1      |           |
| 12     | 6891-3721300        | 气喇叭          | Air horn                       |         | 1      |           |
| 13     | 6937A16-3721400     | 电喇叭          | Electric horn                  |         | 1      |           |
| 14     | 6139X03-5302210     | 前围侧检修门铰链     | Hinge, front access cover,side |         | 2      |           |



6139X01-3741100-RUS

雨刮器总成 FRONT WIPER



## 6139X01-3741100-RUS

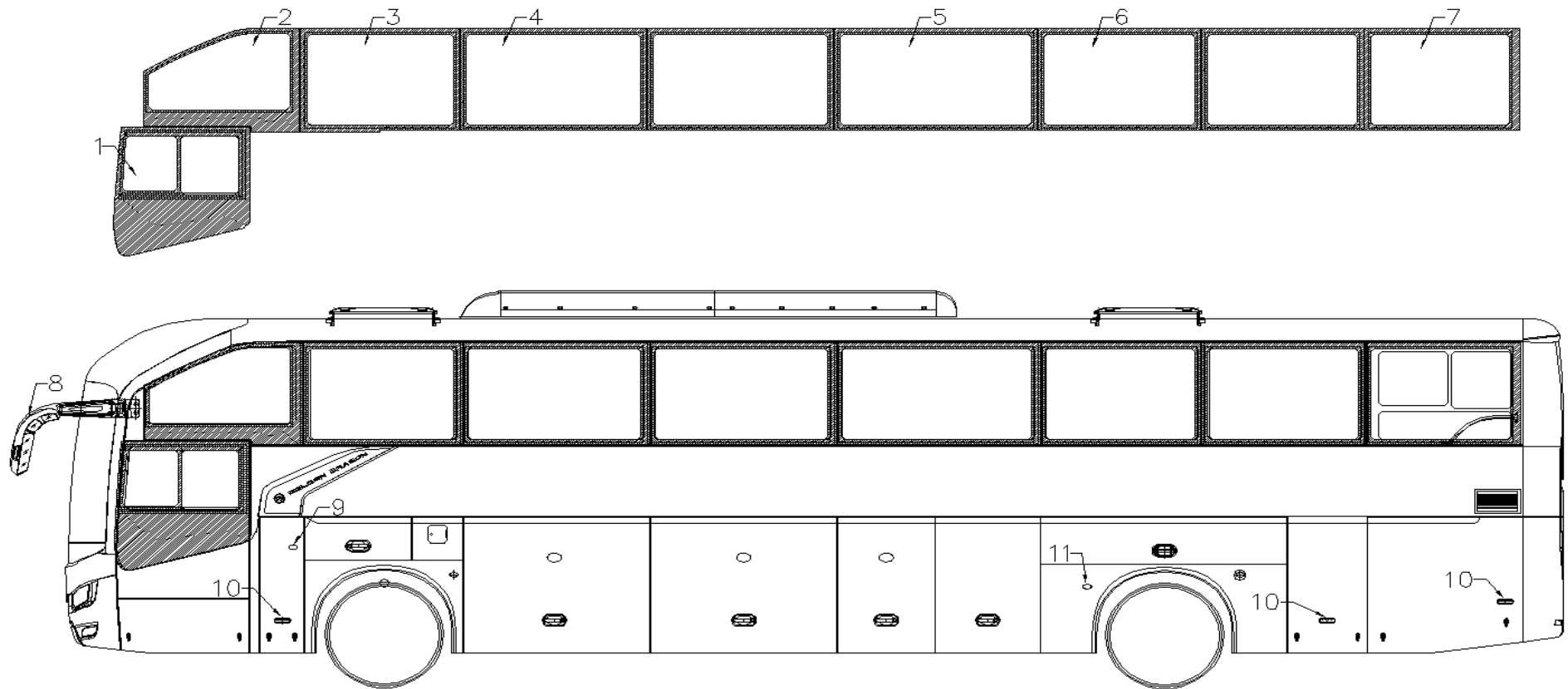
## 雨刮器总成 FRONT WIPER

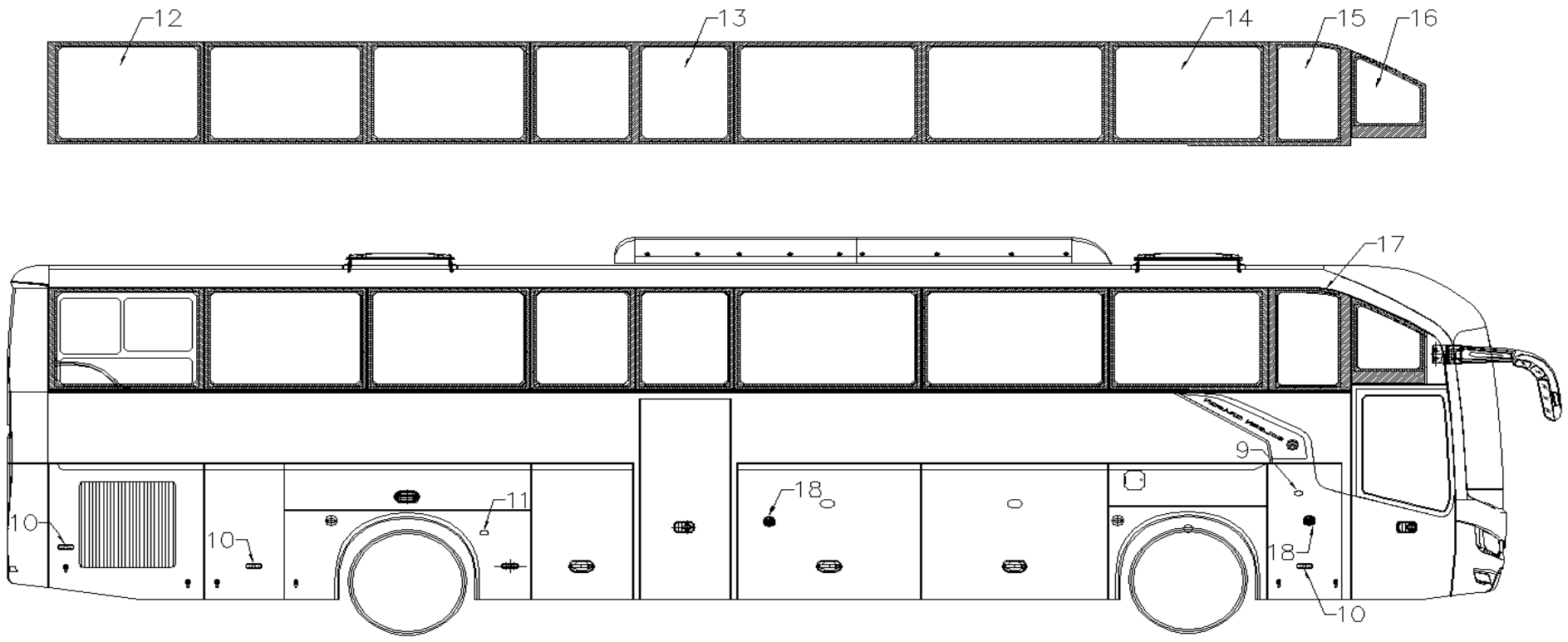
| 序号 S/N | 件号 PART CODE   | 件名 PART NAME | 英文件名 PART NAME                     | 规格 SPEC | 数量 QTY | 备注 REMARK         |
|--------|----------------|--------------|------------------------------------|---------|--------|-------------------|
| 1      | DC1750B-3-1000 | 主摇臂组件        | Main rocker arm component          |         | 1      |                   |
| 2      | DC1750B-3-2000 | 主连杆组件        | Main connecting rod component      |         | 1      |                   |
| 3      | DC1640B-3000   | 助动连杆部件       | Help move connecting rod part      |         | 1      |                   |
| 4      | DC1640B-4000   | 助动板组件        | Help move plate part               |         | 1      |                   |
| 5      | DC1750B-3-5000 | 副连杆组件        | Auxiliary connecting rod component |         | 1      |                   |
| 6      | DC1750B-3-6000 | 副摇臂组件        | Auxiliary rocker arm component     |         | 1      |                   |
| 7      | DC1640B-7000   | 曲柄组件         | Crank component                    |         | 1      |                   |
| 8      | DC1640B-8000   | 支架组件         | Bracket component                  |         | 1      |                   |
| 9      | ZD2838-Z4-0000 | 刮水电动机        | Wiper motor                        |         | 1      | 易损件 wearing parts |
| 10     | QS750K-0000    | 右刮杆组件        | Right wiper lever component        |         | 1      |                   |
| 11     | QS750JF-0000   | 左刮杆组件        | Left wiper lever component         |         | 1      |                   |
| 12     | QD330J-0000    | 左挂杆副刮杆组件     | Left deputy wiper lever component  |         | 1      |                   |
| 13     | Q450M3-0000    | 左刮杆副刮片       | Wipe blade                         |         | 1      | 易损件 wearing parts |
| 14     | Q1000M-0000    | 刮片           | Wipe blade                         |         | 2      | 易损件 wearing parts |
| 15     | XD214-0000     | 洗涤器总成        | Washer assembly                    |         | 1      |                   |
| 16     | JD269Z-2-0000  | 雨刮控制器        | Wiper controller                   |         | 1      |                   |

**02 车辆侧围 SIDE OF THE VEHICLE**

**车辆侧围**  
**SIDE OF THE VEHICLE**

# 02-1 侧围 SIDE PANEL

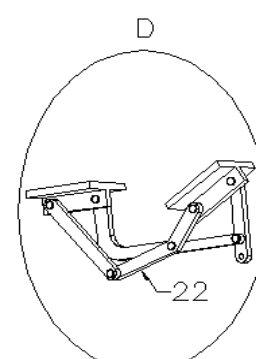
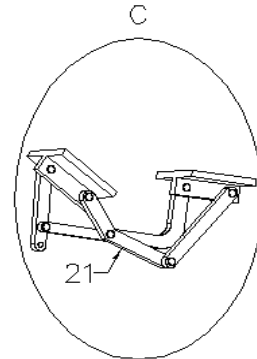
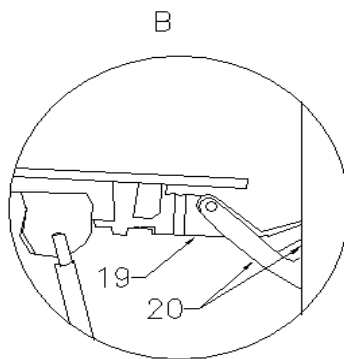
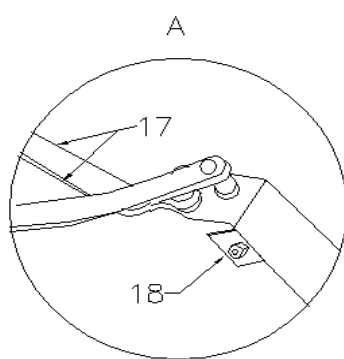
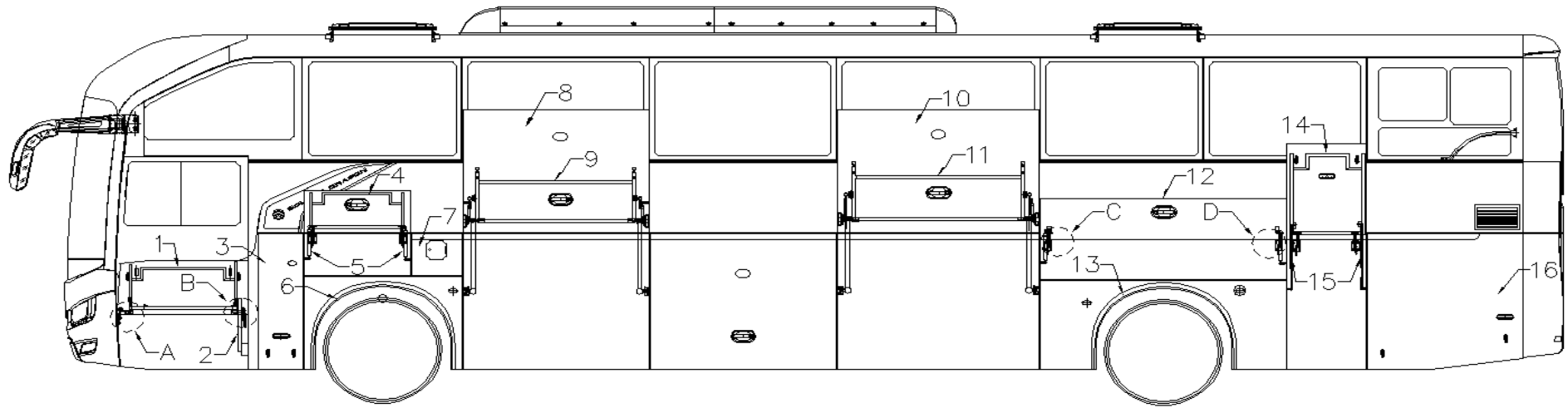


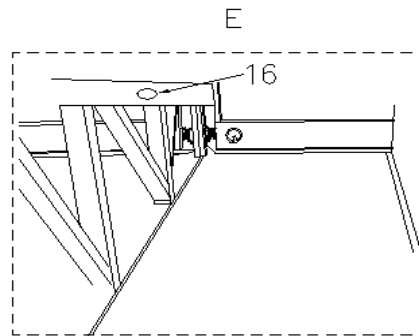
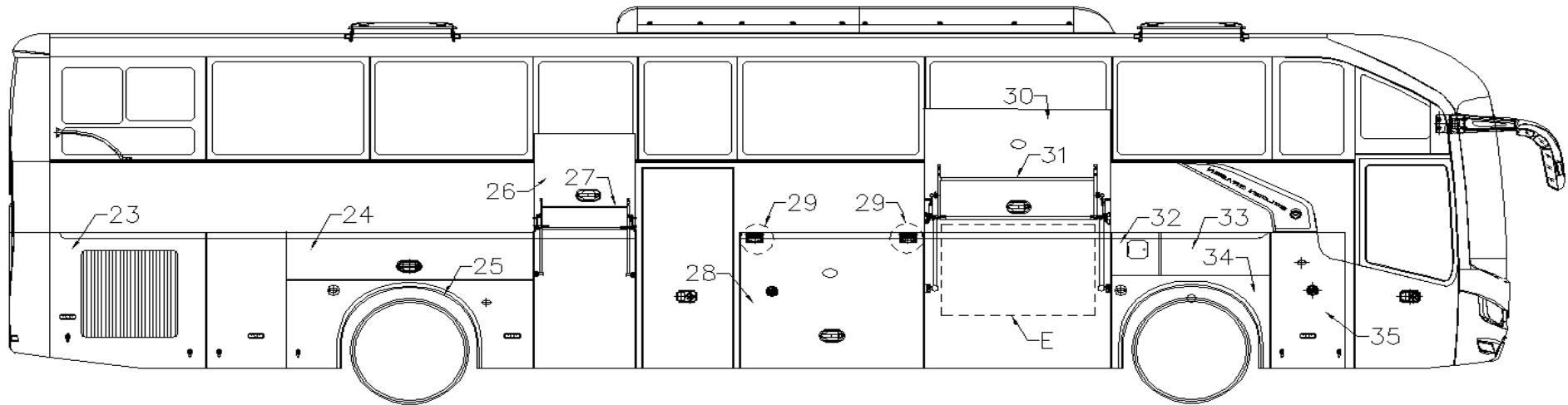


## 02-1 侧围 SIDE PANEL

| 序号 S/N | 件号 PART CODE       | 件名 PART NAME | 英文件名 PART NAME                | 规格 SPEC | 数量 QTY | 备注 REMARK |
|--------|--------------------|--------------|-------------------------------|---------|--------|-----------|
| 1      | 6139X03-5403030-ZK | 司机窗总成        | Driver window assembly        |         | 1      |           |
| 2      | 6139X13-5403011-ZK | 左上侧玻         | Upper glass,left,side         |         | 1      |           |
| 3      | 6139X13-5403012-ZK | 左一侧玻         | Glass I ,left,side            |         | 1      |           |
| 4      | 6139X13-5403013-ZK | 左二侧玻         | Glass II ,left,side           |         | 4      |           |
| 5      | 6139X13-5403014-ZK | 左四侧玻         | Glass IV ,left,side           |         | 1      |           |
| 6      | 6139X13-5403015-ZK | 左五侧玻         | Glass V ,left,side            |         | 4      |           |
| 7      | 6139X13-5403031-ZK | 左后侧玻         | Glass,rear left,side          |         | 1      |           |
| 8      | CY210-D            | 外后视镜(电动除霜)   | Rearview mirror               |         | 1      |           |
| 9      | 6122A01-4111500-B0 | 侧转向灯         | Turn light, side              |         | 2      |           |
| 10     | 6125S3-4117400     | 侧反射复合灯       | Side signal light             |         | 3      |           |
| 11     | QT649-A01          | 路肩灯          | Road lamp                     |         | 4      |           |
| 12     | 6139X13-5403032-ZK | 右后侧玻         | Glass,rear right,side         |         | 1      |           |
| 13     | 6139X13-5403019-ZK | 中门上侧玻        | Upper glass, middle door      |         | 1      |           |
| 14     | 6139X13-5403018-ZK | 右一侧玻         | Glass I ,right,side           |         | 1      |           |
| 15     | 6139X13-5403017-ZK | 右上侧玻         | Upper glass,right,side        |         | 1      |           |
| 16     | 6139X13-5403016-ZK | 右上前侧玻        | Upper glass,front right,side  |         | 1      |           |
| 17     | LXC1690C-6M        | 泻水槽型材 (黑色)   | Drainage slot profile (black) |         | 5      |           |
| 18     | JF-105             | 车门控制应急阀      | Emergency valve               |         | 2      |           |

# 02-2 侧仓门 SIDE COMPARTMENT







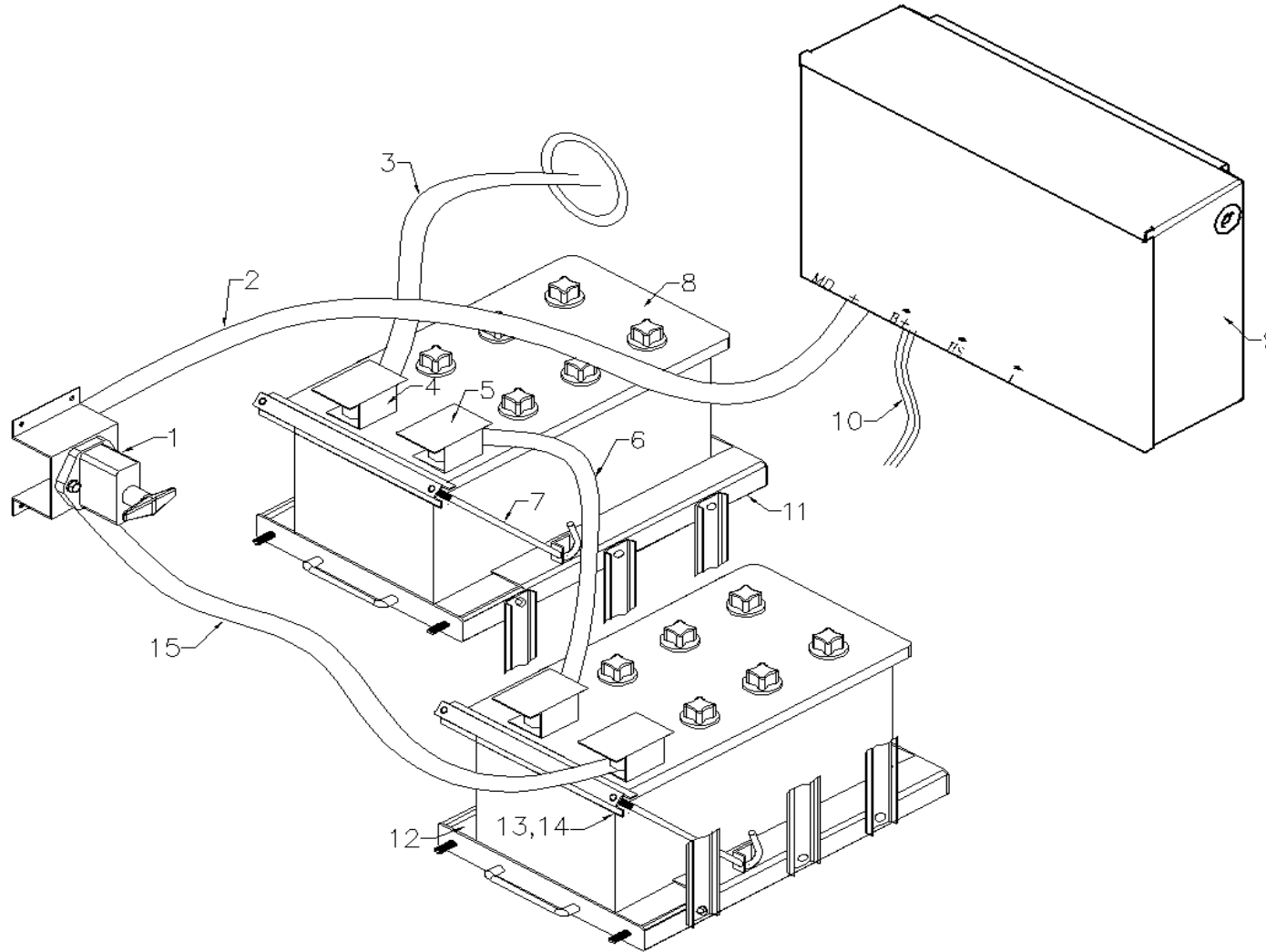
## 02-2 侧仓门 SIDE COMPARTMENT

| 序号 S/N | 件号 PART CODE     | 件名 PART NAME | 英文文件名 PART NAME                         | 规格 SPEC | 数量 QTY | 备注 REMARK |
|--------|------------------|--------------|---|---------|--------|-----------|
| 1      | 6139X13-5902011  | 司机下舱门        | Compartment flap, under driver zone     |         | 1      |           |
| 2      | SDC250-B05       | 手动撑杆总成       | Manual assembly poles                   |         | 2      |           |
| 3      | 6139X13-5902012  | 左轮前舱门        | Compartment flap,front, left wheel      |         | 1      |           |
| 4      | 6139X13-5902013  | 左前轮上舱        | Upper compartment flap,left front wheel |         | 1      |           |
| 5      | QH350-180N120    | 气弹簧撑杆        | Strut, air spring                       |         | 8      |           |
| 6      | 6139X13-5902014  | 左前轮罩         | Wheel house assy., left front           |         | 1      |           |
| 7      | 6139X13-5902035  | 左侧油箱蒙皮       | Tank of skin,left                       |         | 1      |           |
| 8      | 6139X13-5902015  | 行李舱门         | Luggage compartment door                |         | 3      |           |
| 9      | 6139X13-5902100  | 左一手动平移机构     | Manual translation agency I , left      |         | 3      |           |
| 10     | 6139X13-5902016  | 行李舱门         | Luggage compartment door                |         | 1      |           |
| 11     | 6139X13-5902200  | 左二手动平移机构     | Manual translation agency II , left     |         | 1      |           |
| 12     | 6139X13-5902017  | 左后轮上舱        | Upper compartment flap, left rear wheel |         | 1      |           |
| 13     | 6139X13-5902018  | 左后轮罩         | Wheel house assy., left rear            |         | 1      |           |
| 14     | 6139X13-5902019  | 检修舱          | Access access                           |         | 2      |           |
| 15     | QH730-380N260    | 气弹簧撑杆        | Air spring strut                        |         | 12     |           |
| 16     | 6139X13-5902020  | 水箱舱          | Access cover, water tank                |         | 1      |           |
| 17     | 5902041-A02-SXF  | 四连杆铰链（左）     | Four-bar hinge ( left)                  |         | 8      |           |
| 18     | 5902045-XF       | 铰链底板         | Fixing botton plate,hinge               |         | 8      |           |
| 19     | 5902046-XF       | 铰链底板         | Fixing botton plate,hinge               |         | 8      |           |
| 20     | 5902042-A02-SXF  | 四连杆铰链（右）     | Four-bar hinge (right)                  |         | 8      |           |
| 21     | 5902041-LXF-2013 | 六连杆铰链（左）     | Hinge, 6 connecting rod (left)          |         | 7      |           |
| 22     | 5902051-LXF-2013 | 六连杆铰链（右）     | Hinge, 6 connecting rod (right)         |         | 7      |           |
| 23     | 6139X13-5902029  | 水箱舱          | Access cover, water tank                |         | 1      |           |
| 24     | 6139X13-5902028  | 右后轮上舱        | Upper compartment flap,rear right wheel |         | 1      |           |
| 25     | 6139X13-5902027  | 右后轮罩         | Wheel house assy., right rear           |         | 1      |           |
| 26     | 6139X13-5902026  | 行李舱          | Luggage compartment door                |         | 1      |           |

|    |                  |            |   |  |   |  |
|----|------------------|------------|---|--|---|--|
| 27 | 6139X13-5902400  | 右四手动平移机构   | Manual translation agency IV ,<br>right     |  | 1 |  |
| 28 | 6139X13-5902025  | 卫生间舱       | Toilet tank                                 |  | 1 |  |
| 29 | 5902031-LXF-2013 | 合页铰链 (新状态) | Butts , Hinges                              |  | 2 |  |
| 30 | 6139X13-5902024  | 行李舱        | Luggage compartment door                    |  | 1 |  |
| 31 | 6139X13-5902300  | 右二手动平移机构   | Manual translation agency II ,<br>right     |  | 1 |  |
| 32 | 6139X13-5902036  | 右侧油箱蒙皮     | Tank of skin,right                          |  | 1 |  |
| 33 | 6139X13-5902023  | 右上轮上舱      | Upper compartment flap,right<br>front wheel |  | 1 |  |
| 34 | 6139X13-5902022  | 侧舱门        | Compartment door, side                      |  | 1 |  |
| 35 | 6139X13-5902021  | 右前轮舱门      | Compartment flap,front right<br>wheel       |  | 1 |  |
| 36 | D143X50          | 行李舱灯       | Light, luggage compartment                  |  | 6 |  |

02-2-1

蓄电池仓布置 BATTERY COMPARTMENT



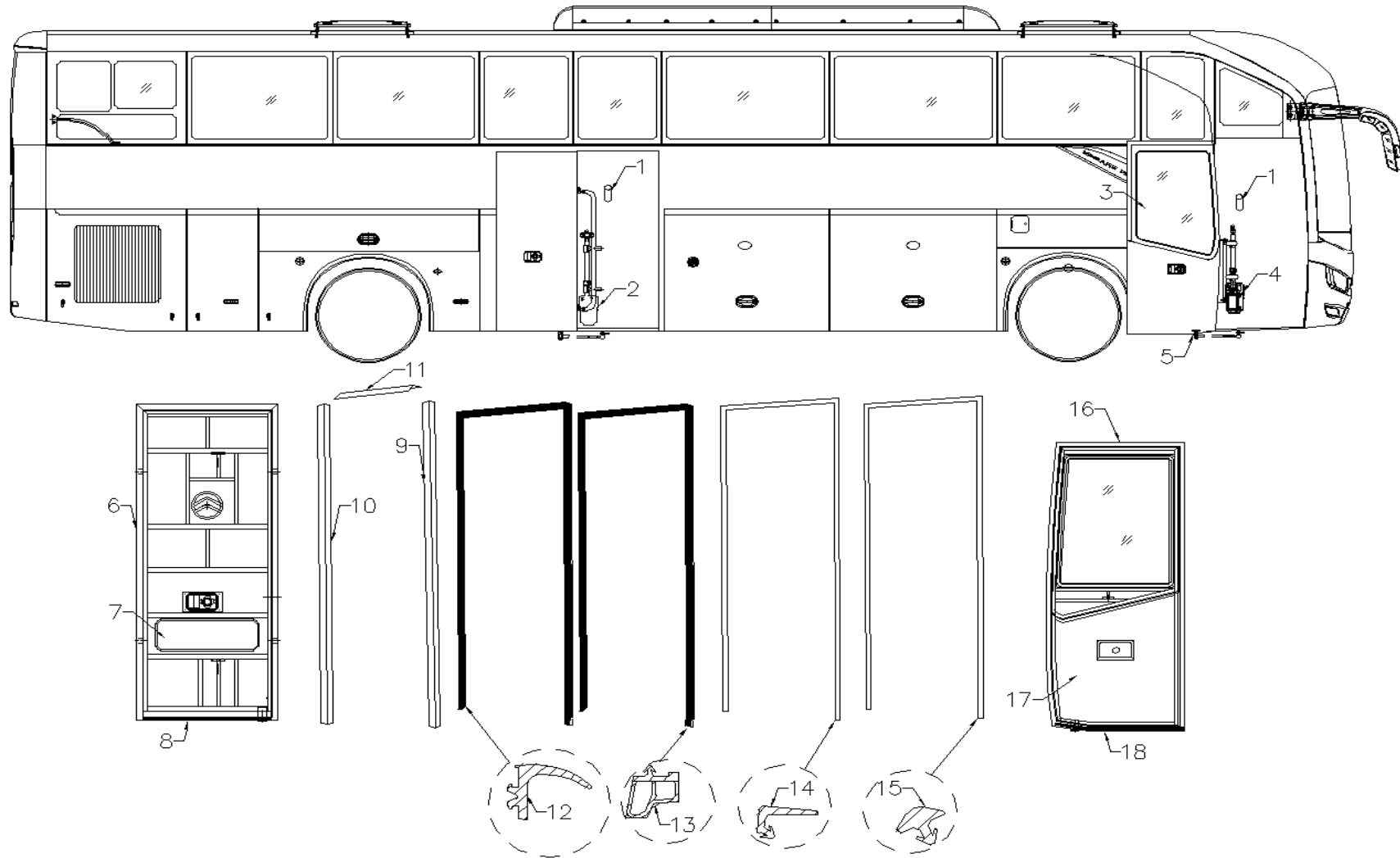
## 02-2-1

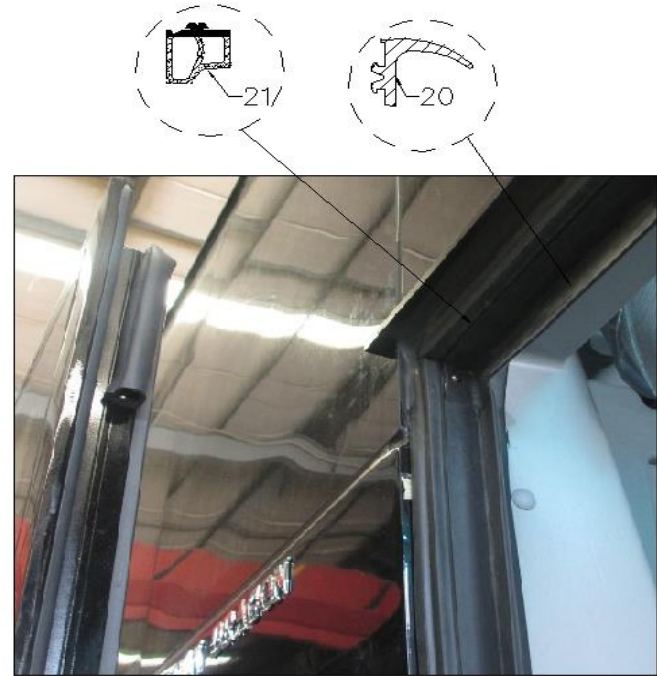
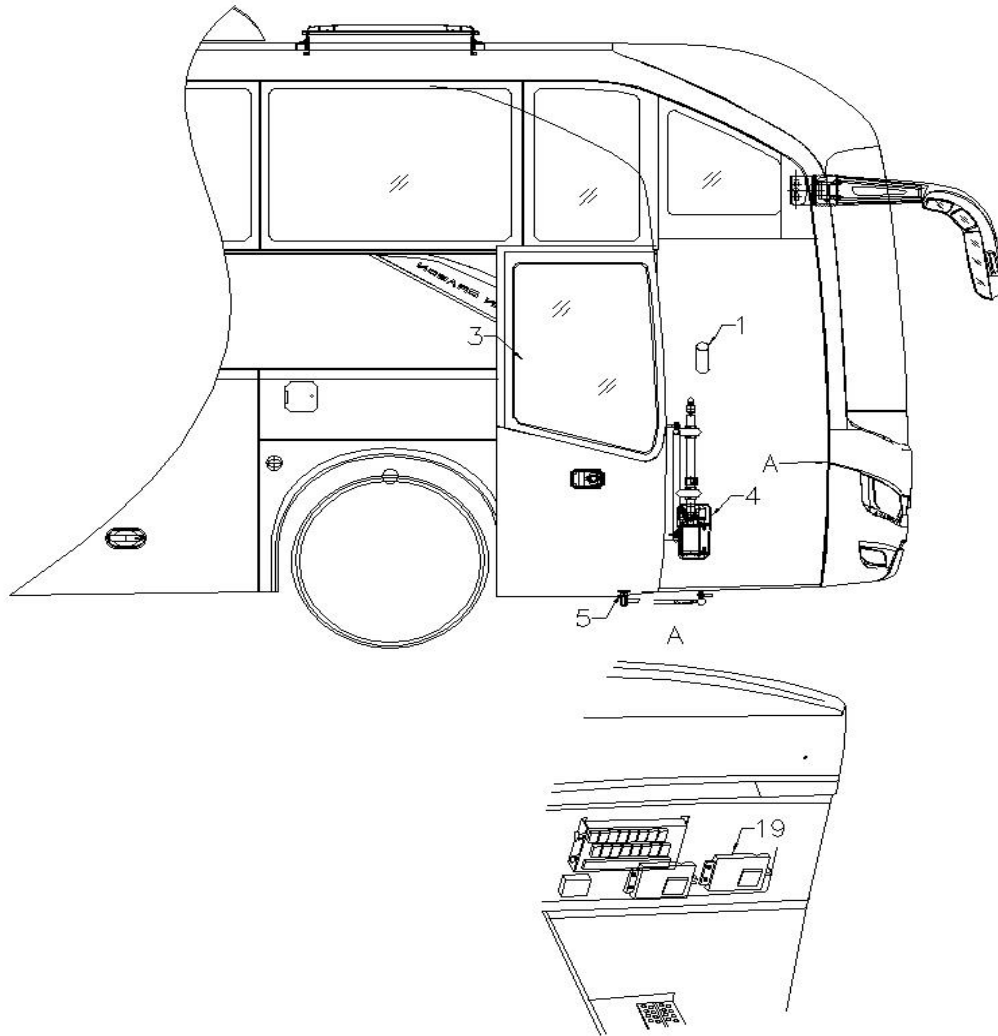
## 蓄电池仓布置 BATTERY COMPARTMENT

| 序号 S/N | 件号 PART CODE         | 件名 PART NAME | 英文件名 PART NAME                      | 规格 SPEC | 数量 QTY | 备注 REMARK |
|--------|----------------------|--------------|-------------------------------------|---------|--------|-----------|
| 1      | JK451ZJ              | 电源总开关        | Master power switch, manual         |         | 1      |           |
| 2      | DLX0070070-0810R     | 总开关连接线       | Wire, master switch                 |         | 1      |           |
| 3      | DLX0260070-0812R-AEX | 电缆线          | Power cable                         |         | 1      |           |
| 4      | 6127A01-3703320-W    | 蓄电池极柱保护套     | Battery Case pole                   |         | 2      |           |
| 5      | 6127A01-3703320-R    | 蓄电池极柱保护套     | Battery Case pole                   |         | 2      |           |
| 6      | DLX0075050-0808R     | 电缆线          | Power cable                         |         | 1      |           |
| 7      | 6127A01-3703131      | 蓄电池架螺栓       | Bracket bolt, battery               |         | 1      |           |
| 8      | AKL-N225-40          | 蓄电池          | Battery                             |         | 2      |           |
| 9      | CQ2124               | 后电控盒         | Electric control box, rear          |         | 1      |           |
| 10     | 6100A2-3724230       | 易熔线          | Fusible wire                        |         | 1      |           |
| 11     | 6127K04-3703400-FF   | 蓄电池架总成       | Bracket assy., battery              |         | 1      |           |
| 12     | 6891-3703141         | 蓄电池架橡胶垫      | Rubber cushion,battery              |         | 1      |           |
| 13     | 6127K04-3703121-FF   | 蓄电池压板        | Battery clamping plate              |         | 1      |           |
| 14     | 6891-3703142         | 压条胶垫         | Battery clamping plate rubber strip |         | 1      |           |
| 15     | DLX0060070-0810R     | 蓄电池正极线       | Positive wire, battery              |         | 1      |           |

02-3

乘客门安装总成 PASSENGER DOOR INSTALLATION ASSEMBLY





## 02-3 乘客门安装总成 PASSENGER DOOR INSTALLATION ASSEMBLY

| 序号 S/N | 件号 PART CODE         | 件名 PART NAME  | 英文件名 PART NAME                                    | 规格 SPEC | 数量 QTY | 备注 REMARK |
|--------|----------------------|---------------|---|---------|--------|-----------|
| 1      | XML6108101E1B0       | 门轴上座饰罩        | Trim cover, bracket, door                         |         | 2      |           |
| 2      | 6128B01-6100200      | 乘客门泵总成        | Door pump assy                                    |         | 1      |           |
| 3      | 6139X03-6100031-EK45 | 乘客门玻璃         | Glass, front passenger door                       |         | 1      |           |
| 4      | 6139X03-6100203      | 前乘客门泵         | Door pump , front                                 |         | 1      |           |
| 5      | 6100-6101023         | 平衡杆支架(一)      | Bracket, stabilizer (I)                           |         | 1      |           |
| 6      | 6139X03-6700100      | 中乘客门骨架        | Frame work, middle passenger door                 |         | 1      |           |
| 7      | 6139X03-6700017      | 中门内饰板         | Interior trim plate, middle door                  |         | 1      |           |
| 8      | 6108K01-6700033      | 门下密封胶条        | Lower sealing strip,door                          |         | 0.7    |           |
| 9      | 6108K01-6700021      | 中门框前柱铝型材      | Aluminum profile, front pillar, middle door frame |         | 1      |           |
| 10     | 6108K01-6700022      | 中门框后柱铝型材      | Aluminum profile, rear pillar, middle door frame  |         | 1      |           |
| 11     | 6108K01-6700023      | 中门框上梁铝型材      | Aluminum profile, upper beam, middle door frame   |         | 1      |           |
| 12     | 6108K01-6700031      | 中乘客门框胶条       | Rubber strip, middle door frame                   |         | 1      |           |
| 13     | 6108K01-6700032      | 中门框密封胶条       | Sealing rubber strip, middle door frame           |         | 1      |           |
| 14     | JTBB426              | 胶条            | Rubber strip                                      |         | 5      |           |
| 15     | JTBB427              | 胶条            | Rubber strip                                      |         | 5      |           |
| 16     | 6139X03-6100200-EK45 | 门板总成          | Front passenger door panel assembly               |         | 1      |           |
| 17     | 6139X03-6100037-EK45 | 乘客门内饰板        | Inner trim panel, passenger door                  |         | 2      |           |
| 18     | 6127K71-6100038      | 胶条            | Sealing strip                                     |         | 1      |           |
| 19     | 6100A1-3746130HM-2   | 门泵遥控器 (2 个按钮) | Remote controller, door pump                      |         | 1      |           |
| 20     | 6139X03-6100035-EK45 | 胶条            | Rubber strip                                      |         | 1      |           |
| 21     | 6139X03-6100036-EK45 | 胶条            | Rubber strip                                      |         | 1      |           |

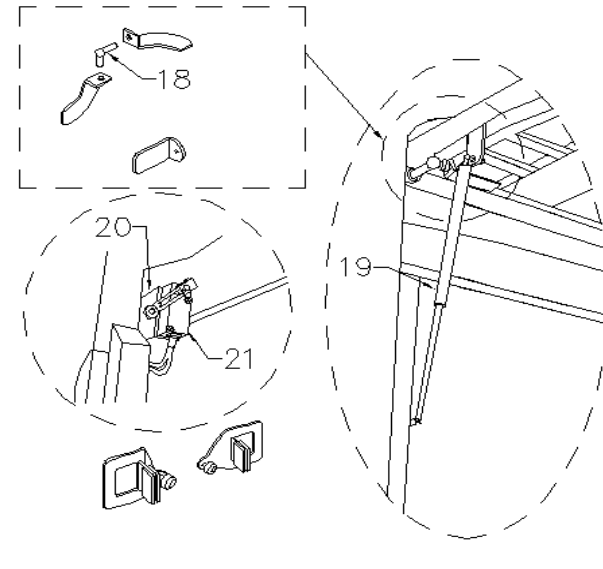
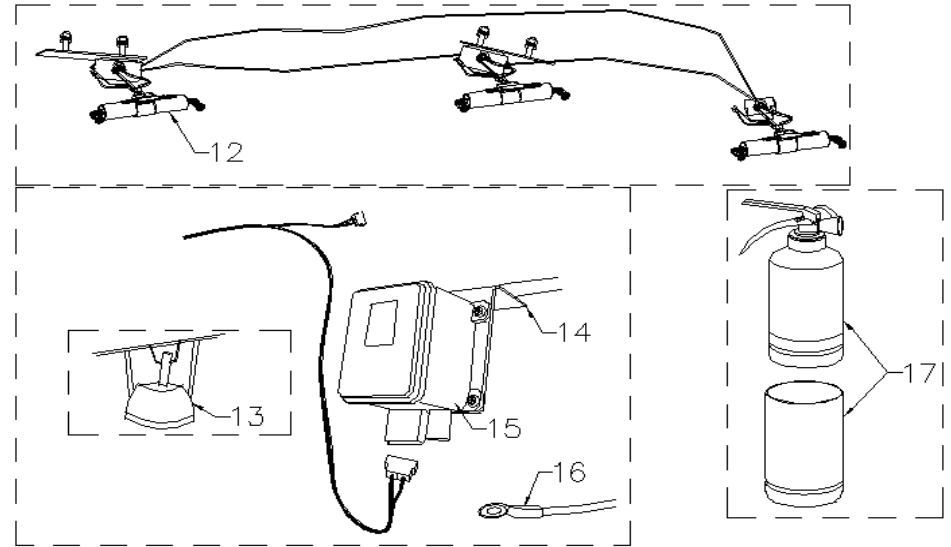
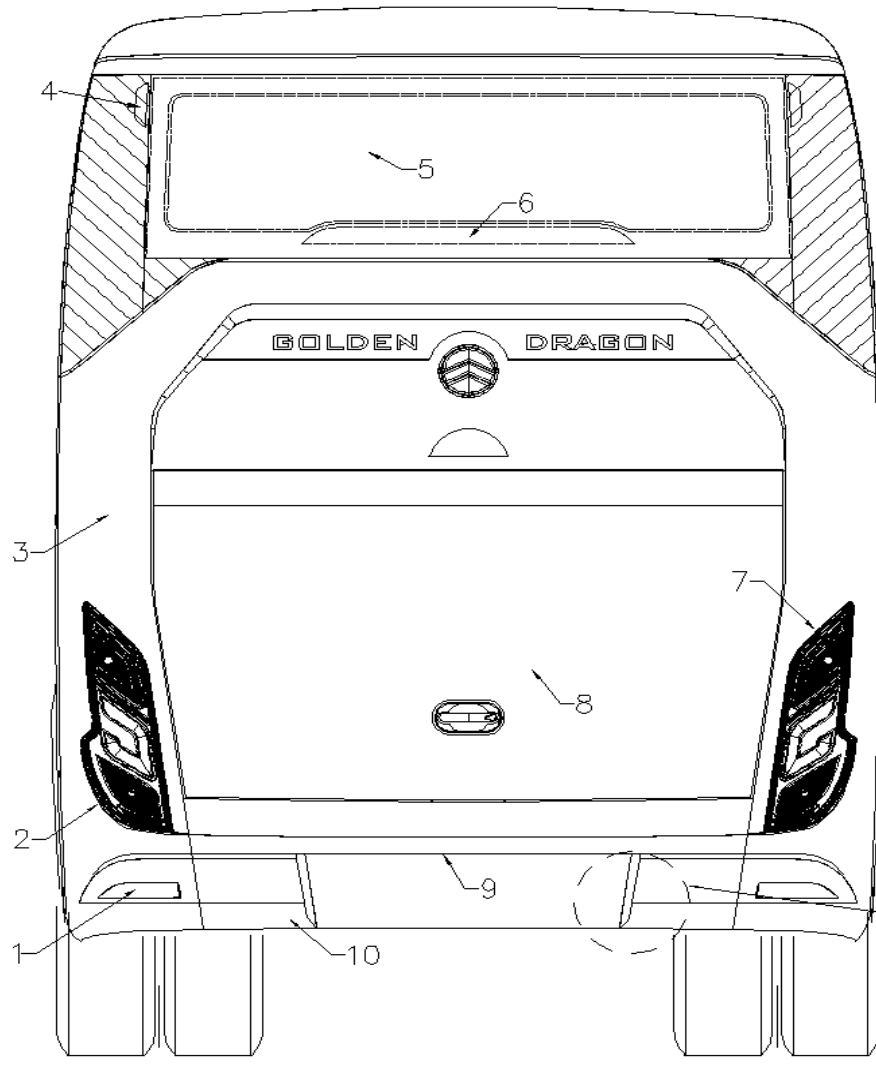
**03 车辆后部 REAR OF THE VEHICLE**

**车辆后部**  
**REAR OF THE VEHICLE**



03-1

后围 REAR PANEL



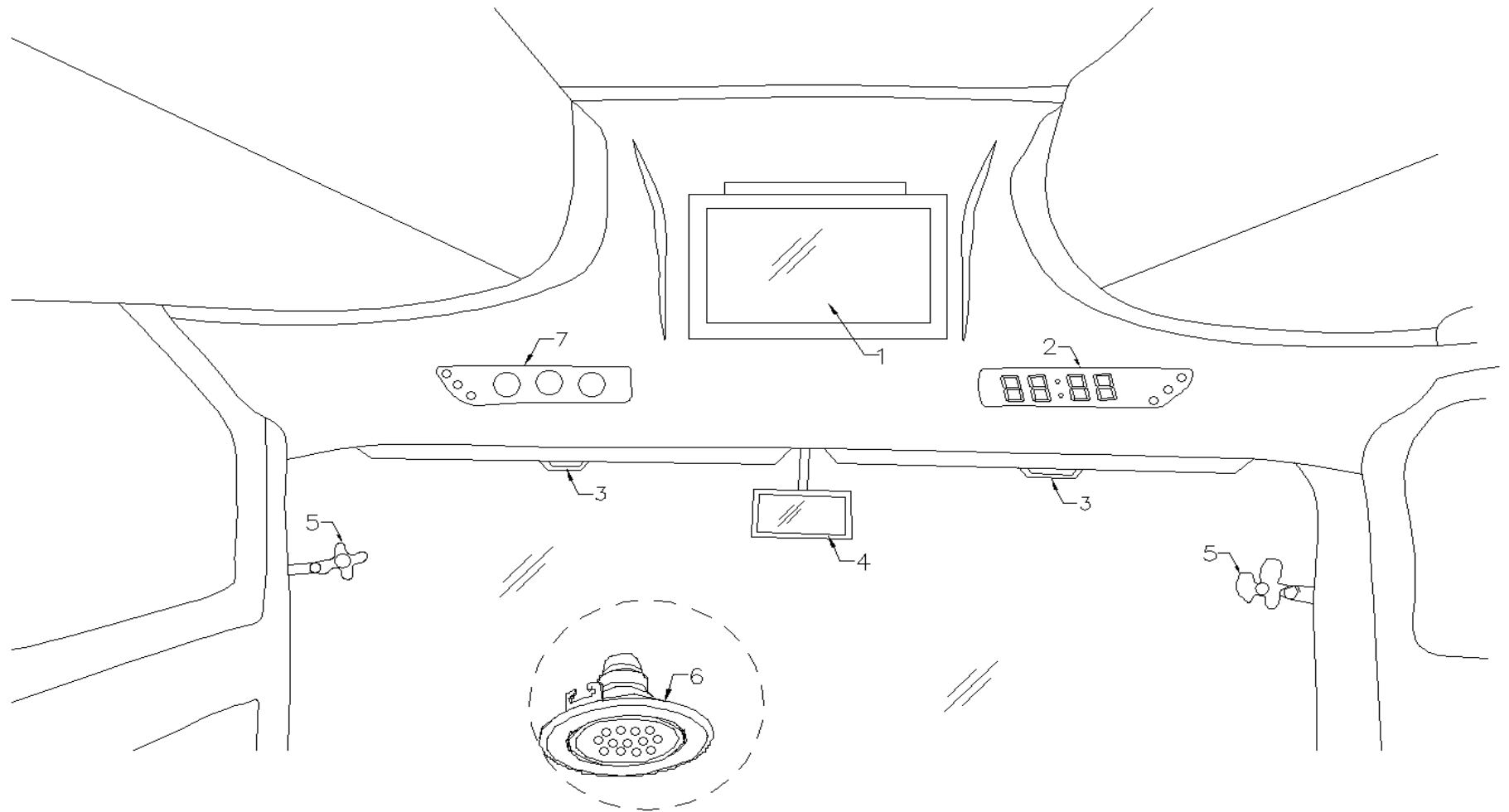
## 03-1 后围 REAR PANEL

| 序号 S/N | 件号 PART CODE      | 件名 PART NAME       | 英文件名 PART NAME                           | 规格 SPEC | 数量 QTY | 备注 REMARK |
|--------|-------------------|--------------------|--|---------|--------|-----------|
| 1      | W250X55           | 后雾灯                | Combined reflector, foglight, rear       |         | 2      |           |
| 2      | Z-HX778X280L      | 左后组合灯              | Combination light, rear ,left            |         | 1      |           |
| 3      | 6139X03-5602100   | 后围护面               | Protective covering, rear panel          |         | 1      |           |
| 4      | SK151X36          | 后示廓灯               | Rear marker lamp                         |         | 2      |           |
| 5      | 6108K01-5603100   | 后挡玻璃               | Rear windshield                          |         | 1      |           |
| 6      | ZD950X35          | 高位制动灯              | Brake light, high position               |         | 1      |           |
| 7      | Z-HX778X280R      | 右后组合灯              | Combination light, rear ,right           |         | 1      |           |
| 8      | 6139X03-5604100   | 后舱门                | Compartment door, rear                   |         | 1      |           |
| 9      | 6127A06-4108100   | 后牌照灯               | License plate light                      |         | 1      |           |
| 10     | 6139X03-5602200   | 后围保险杆              | Rear bumper                              |         | 1      |           |
| 11     | 6100A1-3719100-A1 | 倒车蜂鸣器              | Reversing buzzer                         |         | 1      |           |
| 12     | FZBA0.4-C/GW      | 发动机舱自动灭火器          | Nacelle automatic fire extinguishers     |         | 3      |           |
| 13     | QT737-00-A1       | 发动机仓工作灯            | Working lamp ,engine compartment         |         | 1      |           |
| 14     | QD-3704071-XF     | 后起动盒支架             | Bracket, rear starter box                |         | 1      |           |
| 15     | KW-HQD-F          | 后起动盒               | Starter box, rear                        |         | 1      |           |
| 16     | 1126-105C         | 发动机仓探头             | Probe, engine compartment                |         | 1      |           |
| 17     | 00710-00201       | 灭火器(2KG 含支架)       | Fire extinguisher (Inc. bracket, 2KG)    |         | 2      |           |
| 18     | 6127A01-5604200   | 球形铰链               | Ball hinge                               |         | 2      |           |
| 19     | QH625-380N220     | 气弹簧撑杆              | Air spring pole                          |         | 2      |           |
| 20     | 6100A2-3746210    | 门开关固定架             | Fixing bracket, door switch              |         | 1      |           |
| 21     | 6100A2-3746110    | 仓门行程开关<br>(HL5030) | Stroke switch, compartment door (HL5030) |         | 1      |           |

**04 车内前部 FRONT OF THE INTERIOR VEHICLE**

**车内前部**  
**FRONT OF THE INTERIOR VEHICLE**

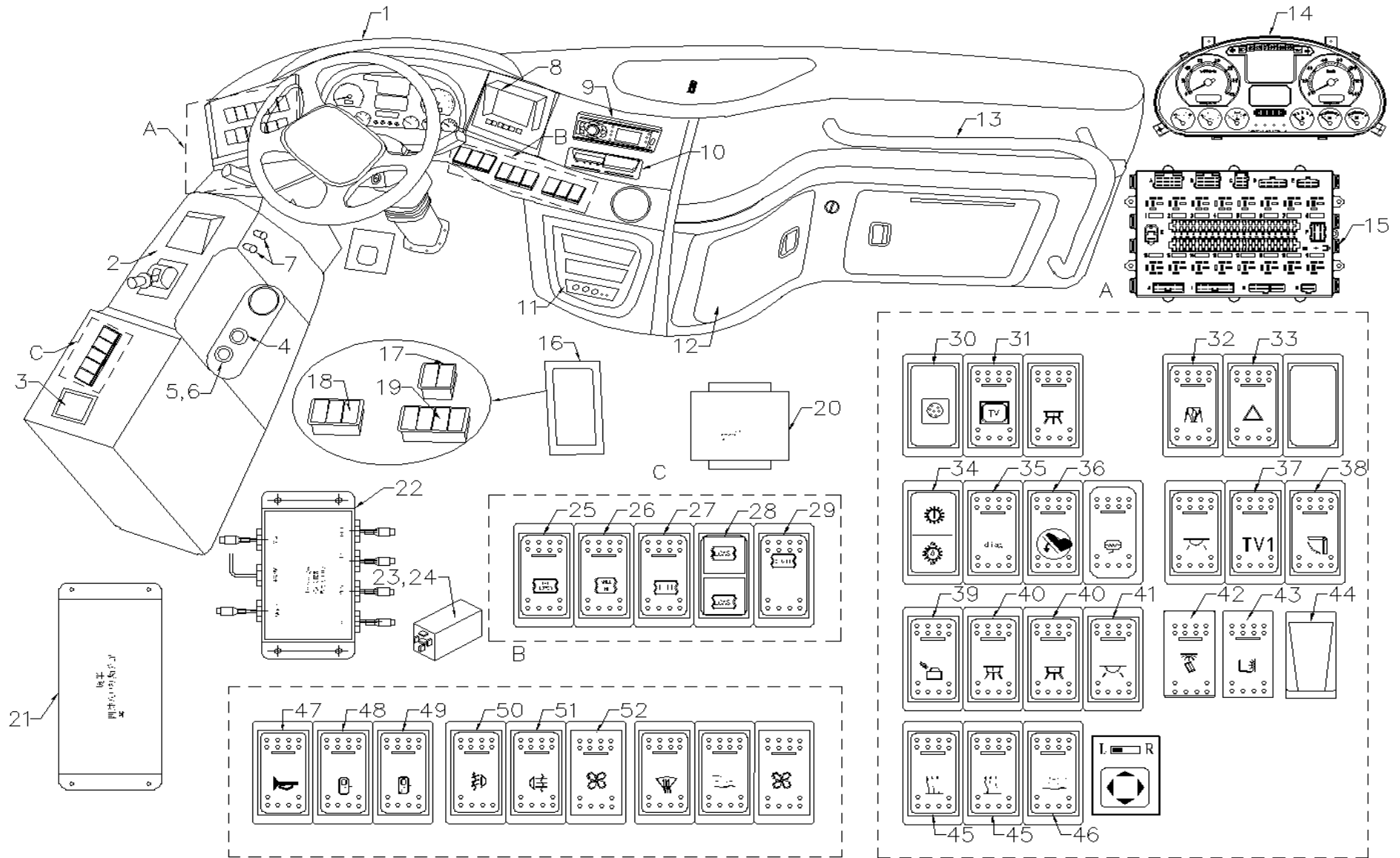
# 04-1 驾驶区布置 DRIVER COMPARTMENT



## 04-1 驾驶区布置 DRIVER COMPARTMENT

| 序号 S/N | 件号 PART CODE        | 件名 PART NAME       | 英文件名 PART NAME           | 规格 SPEC | 数量 QTY | 备注 REMARK |
|--------|---------------------|--------------------|--------------------------|---------|--------|-----------|
| 1      | ME-1822V-F          | 液晶显示器              | LCD monitor              |         | 1      |           |
| 2      | 6125S2-3804100      | 豪华电子钟              | Electronic clock         |         | 1      |           |
| 3      | 6122X01-8204110-WYY | 前档左侧遮阳帘（文<br>盈-英文） | Sun blind                |         | 2      |           |
| 4      | 300-10              | 内后视镜               | Interior rearview mirror |         | 1      |           |
| 5      | DQ-FN0001           | 电风扇                | Electronic fan           |         | 2      |           |
| 6      | 019706109           | 车内射灯               | Spot light, internal     |         | 6      |           |
| 7      | 6125S2-3804200      | 电子显示牌              | Electronic board         |         | 1      |           |

04-2 前部仪表电器 ELECTRICAL APPARATUS, FRONT INSTRUMENTS PANEL



## 04-2 前部仪表电器 ELECTRICAL APPARATUS, FRONT INSTRUMENTS PANEL

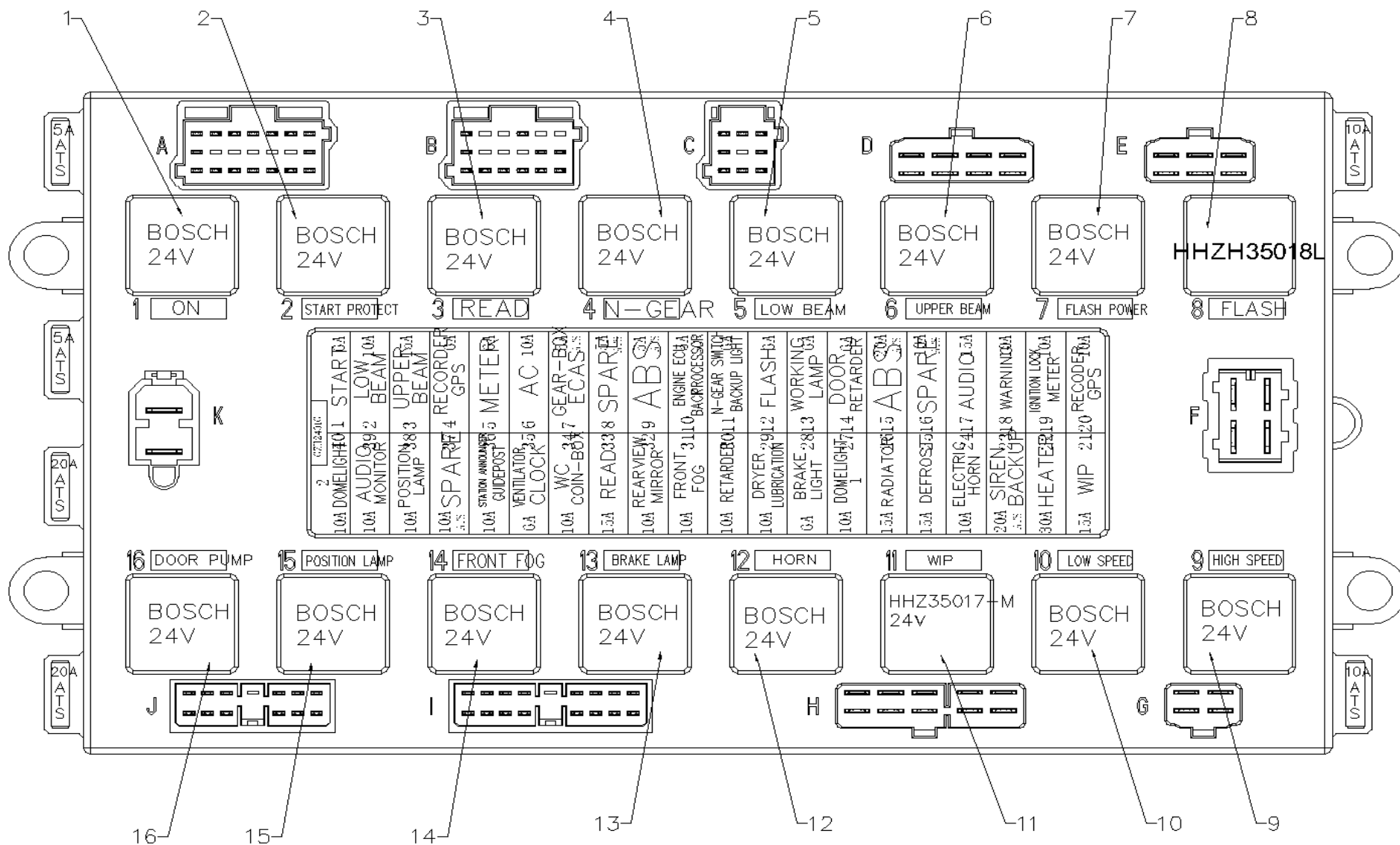
| 序号 S/N | 件号 PART CODE         | 件名 PART NAME        | 英文件名 PART NAME                     | 规格 SPEC | 数量 QTY | 备注 REMARK |
|--------|----------------------|---------------------|------------------------------------|---------|--------|-----------|
| 1      | 6139X13-5306100      | 主仪表台总成              | Master instrument panel assy.      |         | 1      |           |
| 2      | 6129C21-5306300      | 副仪表台总成              | Sub instrument panel assy.         |         | 1      |           |
| 3      | WMS122               | 插座(含底盒)             | Socket                             |         | 1      |           |
| 4      | 6125A02-3725210      | USB 充电器             | USB Charger                        |         | 1      |           |
| 5      | 85500-36020-12       | 点烟器 12              | Cigarette lighter                  |         | 2      |           |
| 6      | 6155Y02-3725210      | 点烟器固定座              | Holder, cigarette lighter          |         | 1      |           |
| 7      | JK991-4.18-006       | 电风扇开关               | Fan switch                         |         | 2      |           |
| 8      | 6125A12-3776400      | 彩色倒车监视器             | Color reversing monitor            |         | 1      |           |
| 9      | 6139X01-7910200      | DVD 播放器             | DVD player                         |         | 1      |           |
| 10     | DTC0-1381            | VDO 数字记录仪           | Digital recording equipment        |         | 1      |           |
| 11     | AMP-01               | 小功放                 | power amplifier                    |         | 1      |           |
| 12     | 6122K02-5306200      | 仪表台围板总成             | Side panel assy., instrument panel |         | 1      |           |
| 13     | 6129C21-5306051      | 仪表板扶手               | Armrest, instrument panel          |         | 1      |           |
| 14     | ZB228-RUS            | 组合仪表                | Combined instrument                |         | 1      |           |
| 15     | 6999A01-3700100-RUS1 | 电控盒                 | Electric control box               |         | 1      |           |
| 16     | 3790-005A0           | 开关盖板                | Cover plate, switch                |         | 7      |           |
| 17     | 6891A1-3750130       | 二联框架                | Dual frame                         |         | 2      |           |
| 18     | 6127A01-3792830      | 三联框                 | Triple frame                       |         | 8      |           |
| 19     | 6837A01-3792840      | 四联框                 | Quadruple frame                    |         | 1      |           |
| 20     | 6126X01-7920100      | 硬盘录像机               | Hard disk video recorder           |         | 1      |           |
| 21     | 238.4080A-01         | 进八出视频分配器<br>VD-408A | video distributor                  |         | 1      |           |
| 22     | XML7908710H5A0       | 视频分配器 VD-105        | Video distributor                  |         | 1      |           |
| 23     | 0332209211           | 五角继电器               | Five-pin relay                     |         | 6      |           |
| 24     | 6891-3735130         | 五脚继电器               | Five-pin relay                     |         | 3      |           |
| 25     | 6125S3-3792930       | 车身升降开关              | Body lifting switch                |         | 1      |           |
| 26     | 6125S3-3793000       | ECAS 正常高度开关         | ECAS normal height indicator board |         | 1      |           |
| 27     | 6125S3-3793010       | ECAS 高度 I/II 开关     | High I/II switch                   |         | 1      |           |
| 28     | XML3713110C7A0       | ECAS 报警指示灯板         | ECAS alarm indicator board         |         | 1      |           |
| 29     | XML3713120C7A1       | KNEE/高度 II 指示灯      | KNEE/height II indicator board     |         | 1      |           |

|    |                 |            |   |  |   |  |
|----|-----------------|------------|---|--|---|--|
|    |                 | 板          |   |  |   |  |
| 30 | AL-002A1        | 声光指示灯      | Sound and light indicator                   |  | 1 |  |
| 31 | JK967-6.54A-009 | 视频切换开关     | Video switch                                |  | 1 |  |
| 32 | 6125S3-3792670  | 加热器开关      | Heater switch                               |  | 1 |  |
| 33 | 6937A16-3792130 | 危急告警开关     | Emergency alarm switch                      |  | 1 |  |
| 34 | 6180H01-3793150 | 变速箱故障/液力油温 | The gearbox fault/hydraulic oil temperature |  | 1 |  |
| 35 | 6145A02-3712120 | 诊断翘板开关     | Diagnosis rocker switch                     |  | 1 |  |
| 36 | 6125S3-3792950  | 缓速器开关      | Retarder switch                             |  | 1 |  |
| 37 | 6125S3-3792720  | TV1 开关     | TV switch                                   |  | 1 |  |
| 38 | 6145A01-3792730 | TV2 开关     | TV2 switch                                  |  | 1 |  |
| 39 | 6125S3-3792520  | 行李仓灯开关     | Luggage compartment lamp switch             |  | 1 |  |
| 40 | 6125S3-3792120  | 日光灯开关      | Fluorescence lamp switch                    |  | 2 |  |
| 41 | 6125S3-3792010  | 夜行灯开关      | Night lamp switch                           |  | 2 |  |
| 42 | 6125S3-3792220  | 阅读灯开关      | Reading lamp switch                         |  | 1 |  |
| 43 | 6125S3-3792320  | 过道灯开关      | Switch, passage light                       |  | 1 |  |
| 44 | MT203114        | 应急开关       | Emergency exit switch                       |  | 1 |  |
| 45 | 6122A01-3792090 | 暖风开关       | Heater switch                               |  | 2 |  |
| 46 | 6845Y01-3792090 | 暖风开关       | Heater switch                               |  | 2 |  |
| 47 | 6125S3-3792680  | 喇叭转换开关     | Horn change-over switch                     |  | 1 |  |
| 48 | 6125S3-3792410  | 前门开关       | Front door switch                           |  | 1 |  |
| 49 | 6125S3-3792430  | 中门开关       | Middle door switch                          |  | 1 |  |
| 50 | 6122A01-3792610 | 前雾灯开关      | Foglight switch, front                      |  | 1 |  |
| 51 | 6122A01-3792620 | 后雾灯开关      | Foglight switch, rear                       |  | 1 |  |
| 52 | 6145A01-3792680 | 排气扇翘板开关    | Rocker switch, exhaust fan                  |  | 1 |  |



6999A01-3700100-RUS1

电器盒 Electric Box



6999A01-3700100-RUS1

电器盒 Electric Box

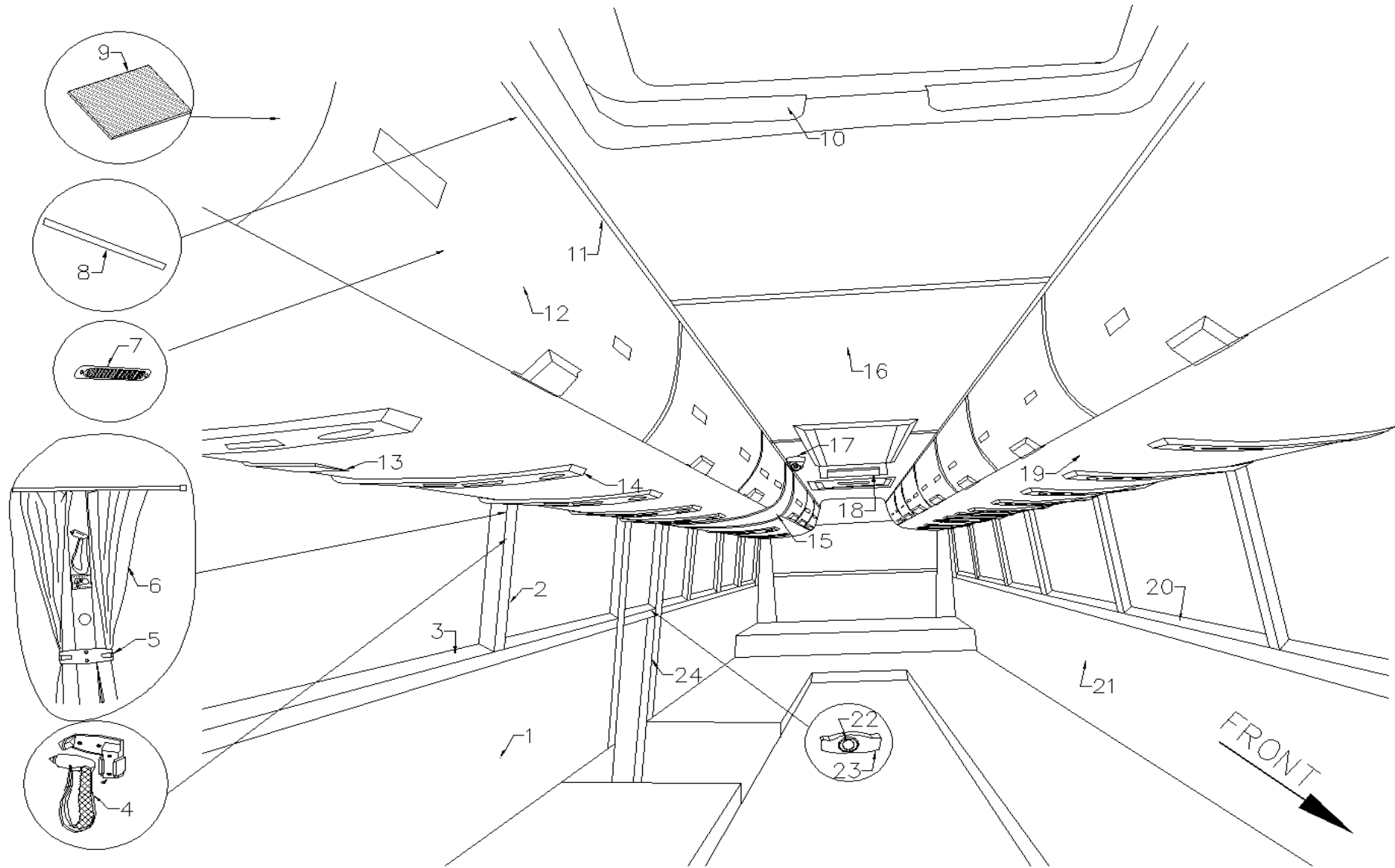
| 序号 S/N | 件号 PART CODE   | 件名 PART NAME    | 英文件名 PART NAME  | 规格 SPEC | 数量 QTY | 备注 REMARK |
|--------|----------------|-----------------|-----------------|---------|--------|-----------|
| 1      | BOSCH-24V      | On              | On              |         | 1      |           |
| 2      | BOSCH-24V      | Start protect   | Start protect   |         | 1      |           |
| 3      | BOSCH-24V      | Emergency start | Emergency start |         | 1      |           |
| 4      | BOSCH-24V      | N-gear          | N-gear          |         | 1      |           |
| 5      | BOSCH-24V      | Low speed       | Low speed       |         | 1      |           |
| 6      | BOSCH-24V      | Upper beam      | Upper beam      |         | 1      |           |
| 7      | BOSCH-24V      | Flash power     | Flash power     |         | 1      |           |
| 8      | HHZ35017L      | Flash           | Flash           |         | 1      |           |
| 9      | BOSCH-24V      | High speed      | High speed      |         | 1      |           |
| 10     | BOSCH-24V      | Low speed       | Low speed       |         | 1      |           |
| 11     | HHZ35017-M 24V | Wip             | Wip             |         | 1      |           |
| 12     | BOSCH-24V      | Horn            | Horn            |         | 1      |           |
| 13     | BOSCH-24V      | Brake lamp      | Brake lamp      |         | 1      |           |
| 14     | BOSCH-24V      | Front fog       | Front fog       |         | 1      |           |
| 15     | BOSCH-24V      | Position lamp   | Position lamp   |         | 1      |           |
| 16     | BOSCH-24V      | Door pump       | Door pump       |         | 1      |           |

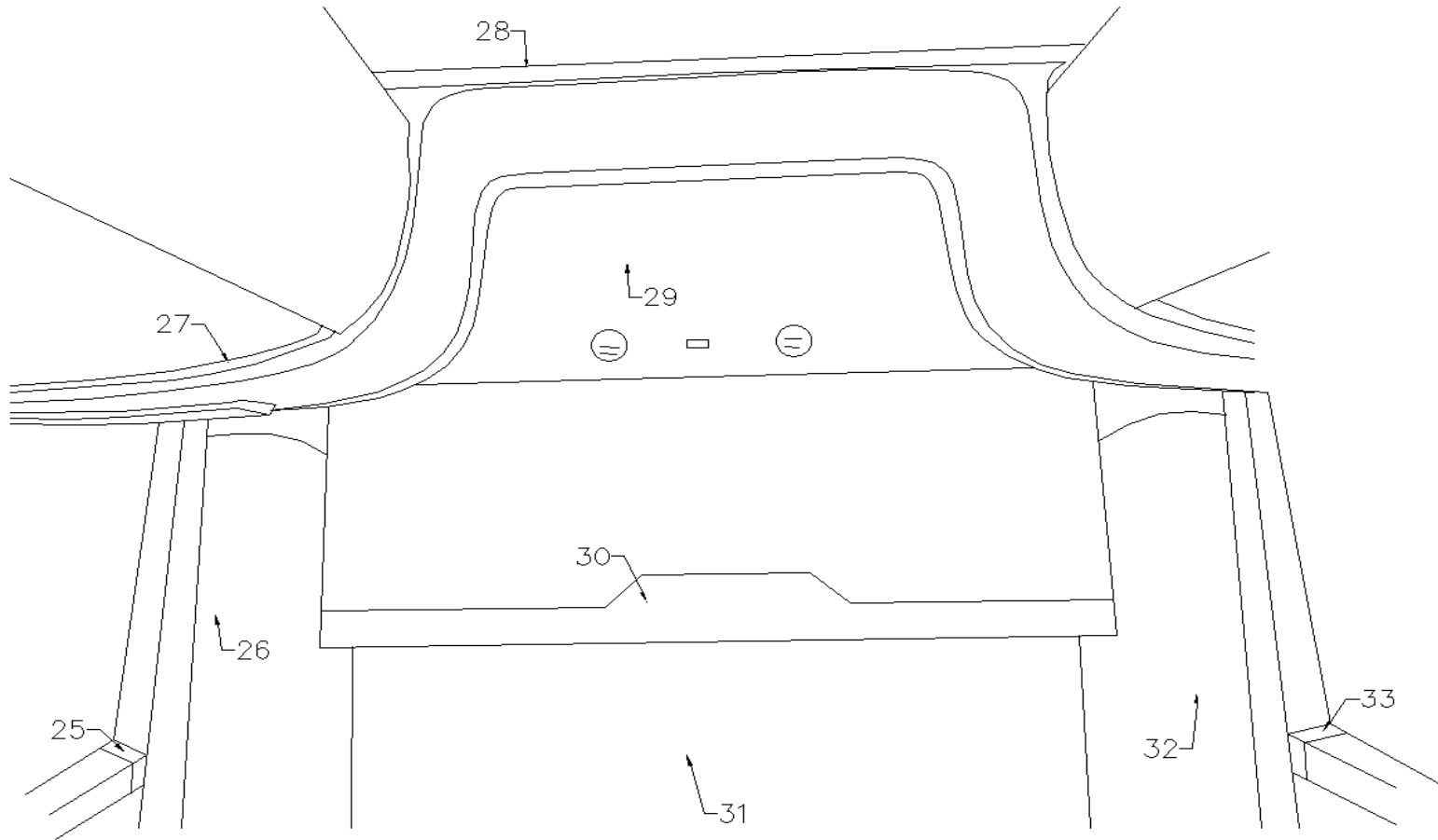
**05 车辆内部 INTERIOR VEHICLE**

**车辆内部  
INTERIOR VEHICLE**

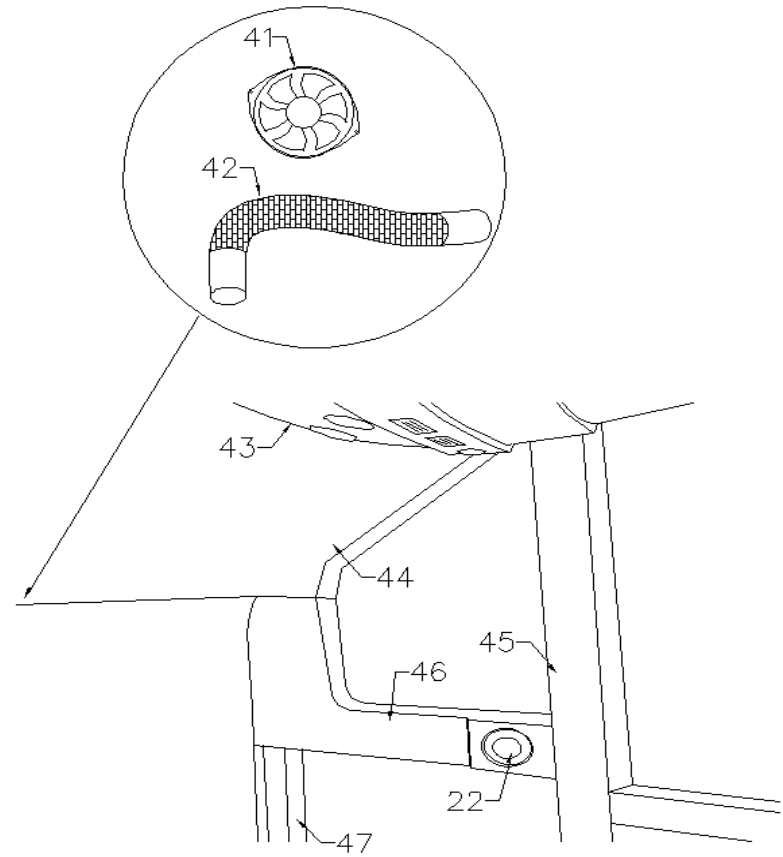
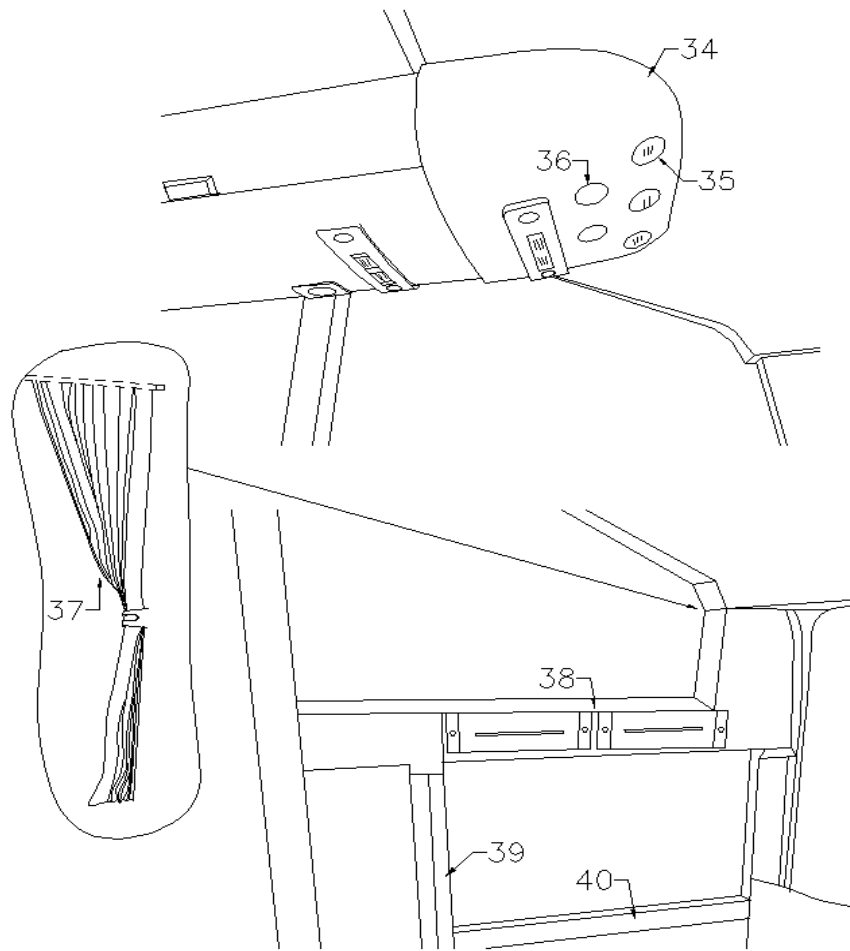
05-1

顶盖和侧围 TOP COVER&SIDE PANEL





REAR



FRONT

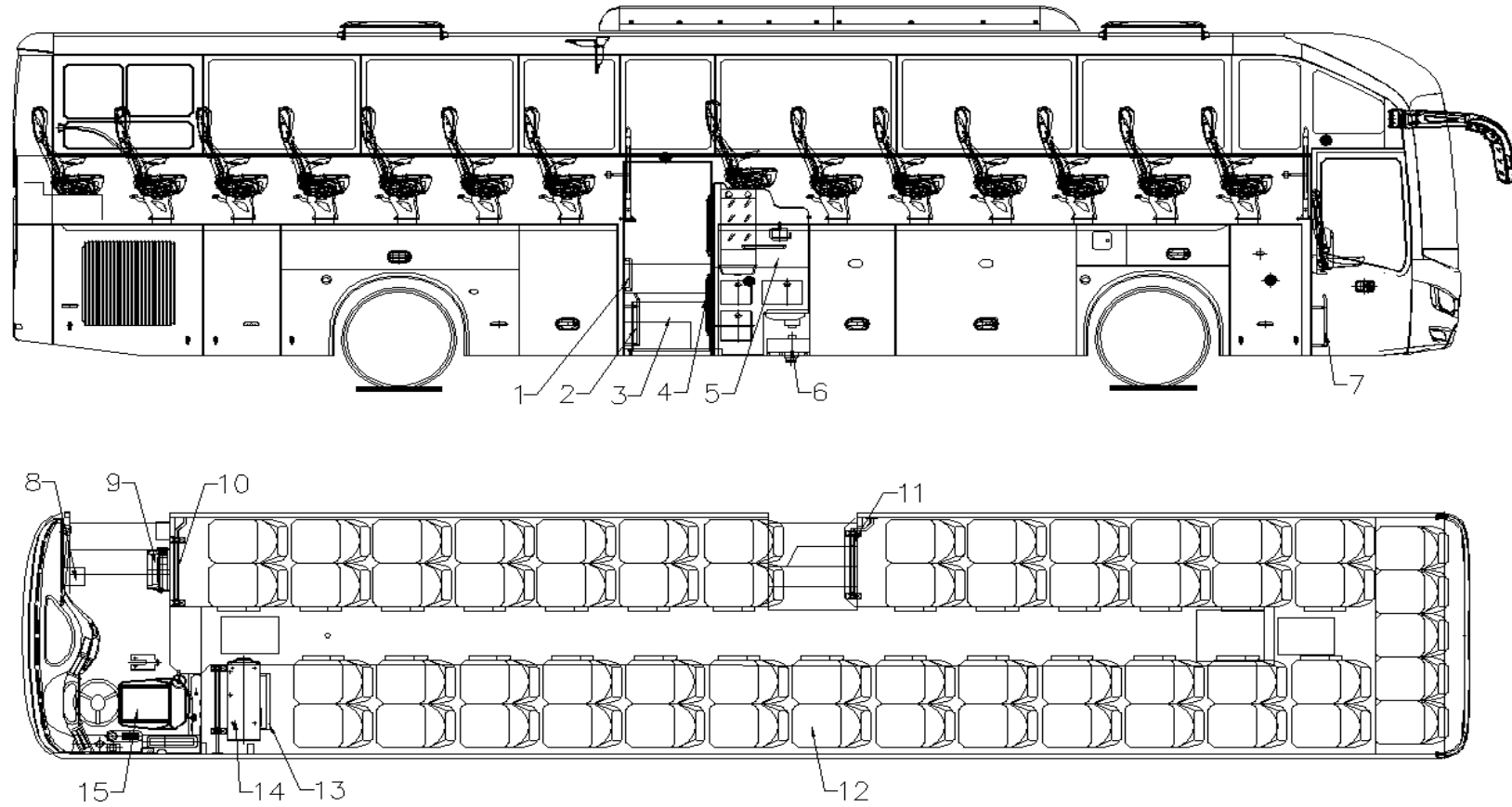
## 05-1 顶盖和侧围 TOP COVER&amp;SIDE PANEL

| 序号 S/N | 件号 PART CODE        | 件名 PART NAME               | 英文件名 PART NAME                       | 规格 SPEC | 数量 QTY | 备注 REMARK |
|--------|---------------------|----------------------------|--------------------------------------|---------|--------|-----------|
| 1      | 6139X13-5500420     | 右侧墙板总成                     | Side wall, right                     |         | 1      |           |
| 2      | 6127K71-5500211-60  | 窗立柱包层柱                     | Cover, pillar                        |         | 12     |           |
| 3      | PT041-6139X13-R     | 右侧窗下包层柱                    | Cover, beam                          |         | 1      |           |
| 4      | WY004               | 声响报警安全锤                    | Safety hammer                        |         | 6      |           |
| 5      | 509010011           | 双边窗帘扣 (深灰色/带盖))            | Curtain buckle (double)              |         | 12     |           |
| 6      | 6139X13-8205010     | 侧窗帘总成                      | Curtain                              |         | 1      |           |
| 7      | LB102               | 常开出风口                      | Lengthened air outlet, normally-open |         | 15     |           |
| 8      | 2768JCT             | 内仓板挤出条                     | Strip, luggage compartment           |         | 1      |           |
| 9      | SLB0015-2400W750    | ABS板                       | ABS Plate                            |         | 8.5    |           |
| 10     | DS/910B-Y-A1-WS     | 安全天窗(英文, 不含中框, 带换气扇, 无刷电机) | Safety skylight                      |         | 2      |           |
| 11     | 6125K01KKT          | 通道灯卡口条                     | Boynet strip, light                  |         | 1      |           |
| 12     | 6139X13-5709210     | 行李架舱盖总成                    | Compartment door, luggage rack       |         | 1      |           |
| 13     | 6129LBB             | 6129喇叭面板                   | Horn, panel                          |         | 12     |           |
| 14     | W-10                | 风口面板总成                     | Air outlet plate                     |         | 31     |           |
| 15     | 6139X03-5709701     | 风道过渡件                      | Transient air duct,                  |         | 1      |           |
| 16     | 6139X13-5709300     | 中顶板                        | Molding strip                        |         | 1      |           |
| 17     | 336.H3DKY-02        | 彩色车内摄像头                    | Camera                               |         | 1      |           |
| 18     | ME-1813V-H          | 液晶显示器                      | LCD                                  |         | 1      |           |
| 19     | 6139X13-5709200-D-2 | 风道行李架安装总成                  | Air duct & luggage rack assy         |         | 2      |           |
| 20     | PT041-6139X13-L     | 左侧窗下包层柱                    | Cover, beam                          |         | 1      |           |
| 21     | 6139X13-5500410     | 左侧墙板总成                     | Side wall, left                      |         | 1      |           |
| 22     | JF-102N             | 车内控制应急断气阀                  | Emergency valve                      |         | 2      |           |
| 23     | 6102K01-5500025-CF  | 车内应急阀装饰罩                   | Trim cover, emergency valve          |         | 1      |           |
| 24     | 6139X13-5500510     | 中门两侧包层柱                    | Cover, middle door pillar            |         | 1      |           |
| 25     | PT041-DT-R          | 包层柱端盖                      | End cover, covered pillar            |         | 3      |           |
| 26     | 6122K02-5500120     | 右侧后包角                      | Cover, rear corner                   |         | 1      |           |
| 27     | JSTL560-3500        | 胶条 560                     | Strip                                |         | 2      |           |

|    |                 |           |                                       |  |   |  |
|----|-----------------|-----------|---------------------------------------|--|---|--|
| 28 | L550            | 压条        | Strip                                 |  | 2 |  |
| 29 | 6139X13-5709500 | 后内顶总成     | Rear roof panel                       |  | 1 |  |
| 30 | 6139X13-5500040 | 后墙板压条     | Strip                                 |  | 1 |  |
| 31 | 6139X03-5500430 | 后墙板总成     | Rear wall                             |  | 1 |  |
| 32 | 6122K02-5500110 | 左侧后包角     | Cover, rear corner                    |  | 1 |  |
| 33 | PT041-DT-L      | 包层柱端盖     | End cover, covered pillar             |  | 3 |  |
| 34 | 6122K02-5709410 | 行李架左端头    | Luggage rack terminal, left           |  | 1 |  |
| 35 | XMD-W-02        | W-02 风口   | W-02 air outlet                       |  | 8 |  |
| 36 | 19706109        | 车内射灯      | Spot light                            |  | 6 |  |
| 37 | 6139X13-8205020 | 前三角窗窗帘    | Curtain                               |  | 1 |  |
| 38 | 6139X13-5500011 | 司机窗上装饰件   | Inner trim (upper), driver window     |  | 1 |  |
| 39 | 6139X13-5500013 | 司机窗后装饰件   | Inner trim (rear), driver window      |  | 1 |  |
| 40 | 6139X13-5500012 | 司机窗下装饰件   | Inner trim (lower), driver window     |  | 1 |  |
| 41 | 7214N-X         | 7214 风机   | 7214 Blower                           |  | 3 |  |
| 42 | NLG62.5-FD      | 尼龙管       | pipe                                  |  | 2 |  |
| 43 | 6122K02-5709420 | 行李架右端头    | Luggage rack terminal, right          |  | 1 |  |
| 44 | 6139X13-5709100 | 前顶总成      | Roof assy., front                     |  | 1 |  |
| 45 | 6139X13-5500023 | 乘客门后立柱装饰件 | Inner trim (rear), front door pillar  |  | 1 |  |
| 46 | 6139X13-5500021 | 乘客门上装饰件   | Inner trim (upper), front door pillar |  | 1 |  |
| 47 | 6139X03-5500022 | 乘客门前立柱装饰件 | Inner trim (front), front door pillar |  | 1 |  |



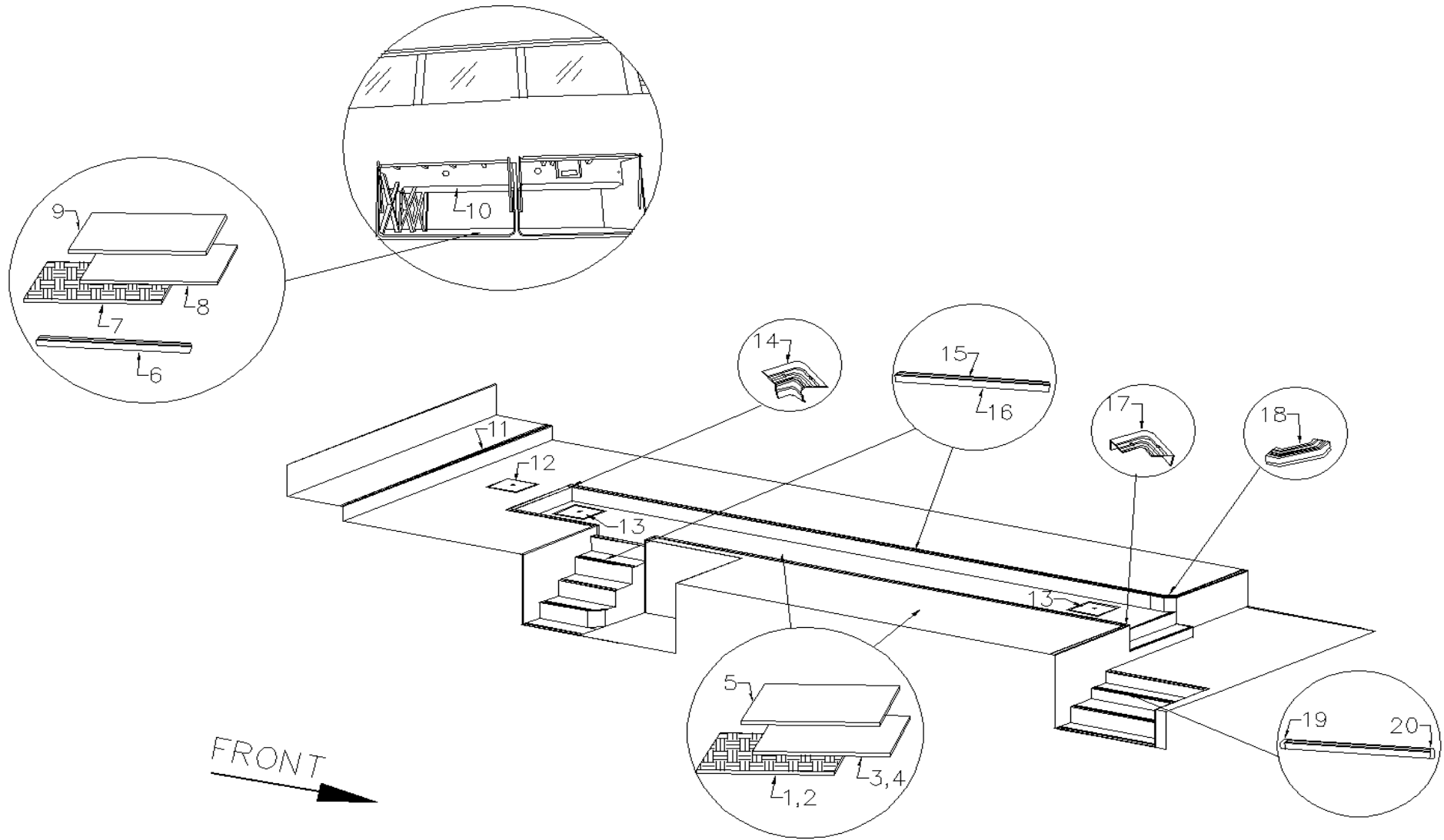
# 05-2 整车扶手及座椅总成 ARMREST&SEAT



## 05-2 整车扶手及座椅总成 ARMREST&amp;SEAT

| 序号 S/N | 件号 PART CODE      | 件名 PART NAME | 英文件名 PART NAME                          | 规格 SPEC | 数量 QTY | 备注 REMARK |
|--------|-------------------|--------------|---|---------|--------|-----------|
| 1      | 6139X03-5526310   | 扶手           | Armrest                                 |         | 1      |           |
| 2      | 6108K01-5526570   | 扶手           | Armrest                                 |         | 1      |           |
| 3      | 6128K01-8230300-Y | 卫生间清水箱总成     | Toilet water tank assembly              |         | 1      |           |
| 4      | 6128K01-8230010-Y | 卫生间扶手        | Bathroom armrest                        |         | 1      |           |
| 5      | 6139X13-8230100   | 卫生间          | Bathroom                                |         | 1      |           |
| 6      | 6139X13-8230200   | 卫生间污水箱       | Sewage tank                             |         | 1      |           |
| 7      | 6108K01-5526560   | 扶手           | Armrest                                 |         | 1      |           |
| 8      | 6750-511-RF1      | 导游椅脚踏        | Foot step                               |         | 1      |           |
| 9      | JLZY-D7-P1        | 导游椅          | Guide seat                              |         | 1      |           |
| 10     | 6139X13-5526200   | 乘客护栏         | Guard frame, passenger                  |         | 1      |           |
| 11     | 6139X13-5526300   | 乘客护栏         | Guard frame, passenger                  |         | 1      |           |
| 12     | 6139X13-7200100   | 乘客椅总成        | Seat                                    |         | 1      |           |
| 13     | 6952K01-5526120   | 扶手           | Armrest                                 |         | 1      |           |
| 14     | ZS-53110/L-6139   | 饮水机与冰箱一体机    | Water dispenser & refrigerator assembly |         | 1      |           |
| 15     | Q15-1             | 金龙司机椅(气囊三点式) | Driver seat                             |         | 1      |           |

# 05-3 地板革和检修盖 FLOOR COVERING & REPAIR HATCH



## 05-3

## 地板革和检修盖 FLOOR COVERING &amp; REPAIR HATCH

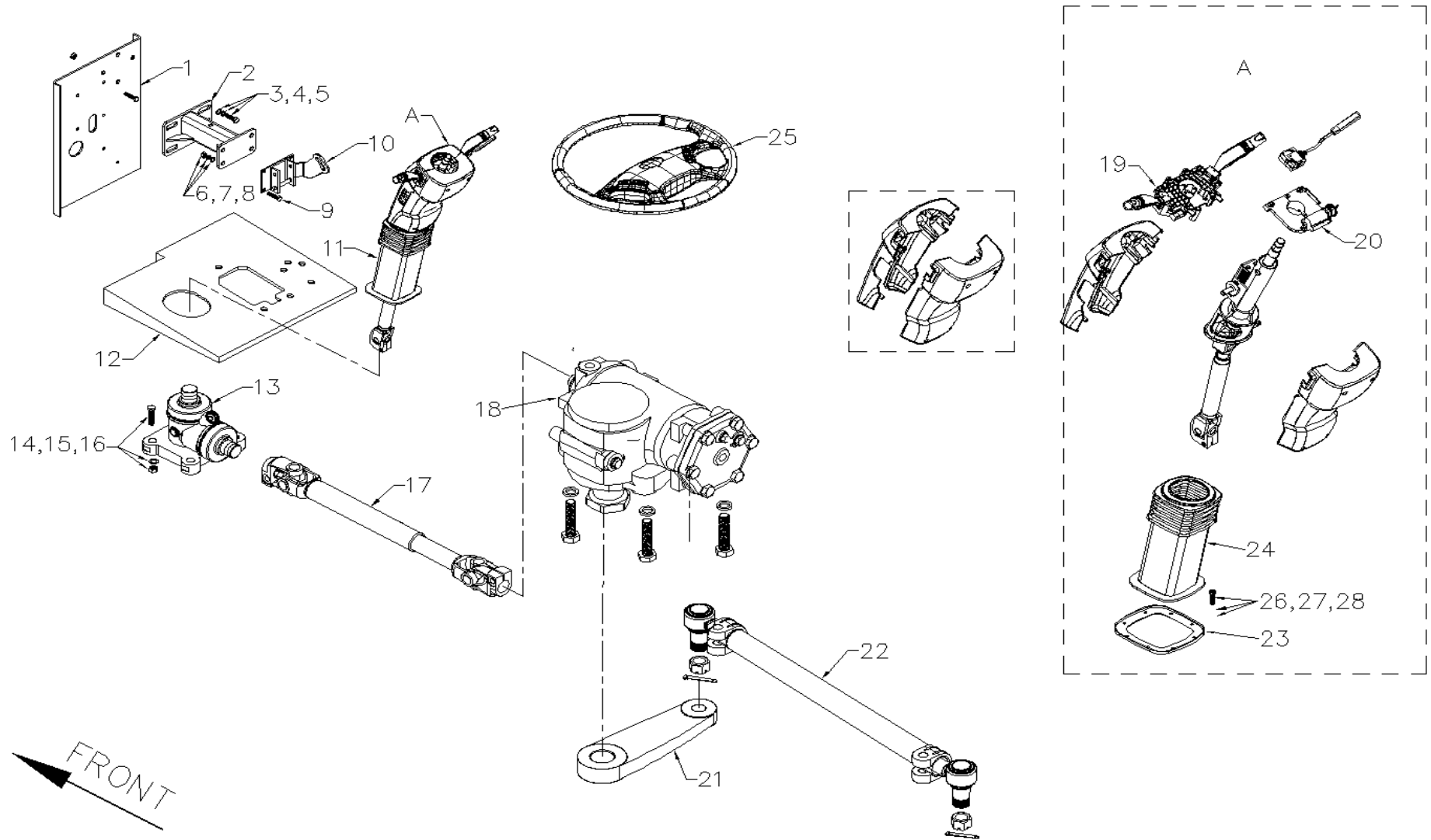
| 序号 S/N | 件号 PART CODE        | 件名 PART NAME            | 英文件名 PART NAME                              | 规格 SPEC | 数量 QTY | 备注 REMARK |
|--------|---------------------|-------------------------|---|---------|--------|-----------|
| 1      | ZNB04-1M900         | 阻尼板(1000*900*4)         | Damper plate (1000*900*4)                   |         | 8      |           |
| 2      | ZNB04-1M545         | 阻尼板(1000*545*4)         | Damper plate (1000*545*4)                   |         | 15     |           |
| 3      | 8401-1250           | 法国柏思 8401 地板革宽<br>1.25M | Floor covering                              |         | 2      |           |
| 4      | 8401-2000           | 法国柏思 8401 地板革宽<br>2M    | Floor covering                              |         | 0.4    |           |
| 5      | 6139X13-5102710     | 地毯总成                    | Carpet                                      |         | 1      |           |
| 6      | JSTQ1761-6M         | 挤塑条                     | Extruded plastic strip                      |         | 1.3    |           |
| 7      | PVC-LV-12-HXK       | PVC 板                   | PVC plate                                   |         | 18     |           |
| 8      | DBGC-15M1500        | 行李仓地板革                  | Floor covering, luggage<br>compartment      |         | 1      |           |
| 9      | XLCRB-2M            | 行李舱绒布                   | Lint, luggage compartment                   |         | 15     |           |
| 10     | XLCSFB-6139         | 行李舱上封板                  | Upper sealing plate, luggage<br>compartment |         | 1      |           |
| 11     | LXC2686-6M          | 通道压条                    | Corner, molding strip                       |         | 1      |           |
| 12     | 6122A01-5107200B-G  | 检修盖总成 (二)               | Access cover assy(II)                       |         | 1      |           |
| 13     | 6122A01-5107100B-G  | 检修盖总成 (一)               | Access cover assy (I)                       |         | 2      |           |
| 14     | YTNWJ-2831          | 压条内弯角                   | Inner corner, molding strip,<br>gangway     |         | 5      |           |
| 15     | JSTQ1704-26         | 通道压条嵌条                  | Strip, aluminum molding strip,<br>gangway   |         | 35     |           |
| 16     | 6139X13-5102400-LED | LED 灯车内压条总成             | LED strip                                   |         | 1      |           |
| 17     | YTWJ-2831           | 压条外弯角                   | Corner, molding strip, gangway              |         | 1      |           |
| 18     | YTDWJ-2831          | 压条倒角弯角                  | Corner                                      |         | 5      |           |
| 19     | DT00-2686L          | 2686 通道压条堵头<br>(左)      | Plug, 2686molding strip(left)               |         | 10     |           |
| 20     | DT00-2686R          | 2686 通道压条堵头<br>(右)      | Plug,2686 molding strip(right)              |         | 8      |           |

**06 转向系统 STEERING SYSTEM**

**转向系统**  
**STEERING SYSTEM**

06-1

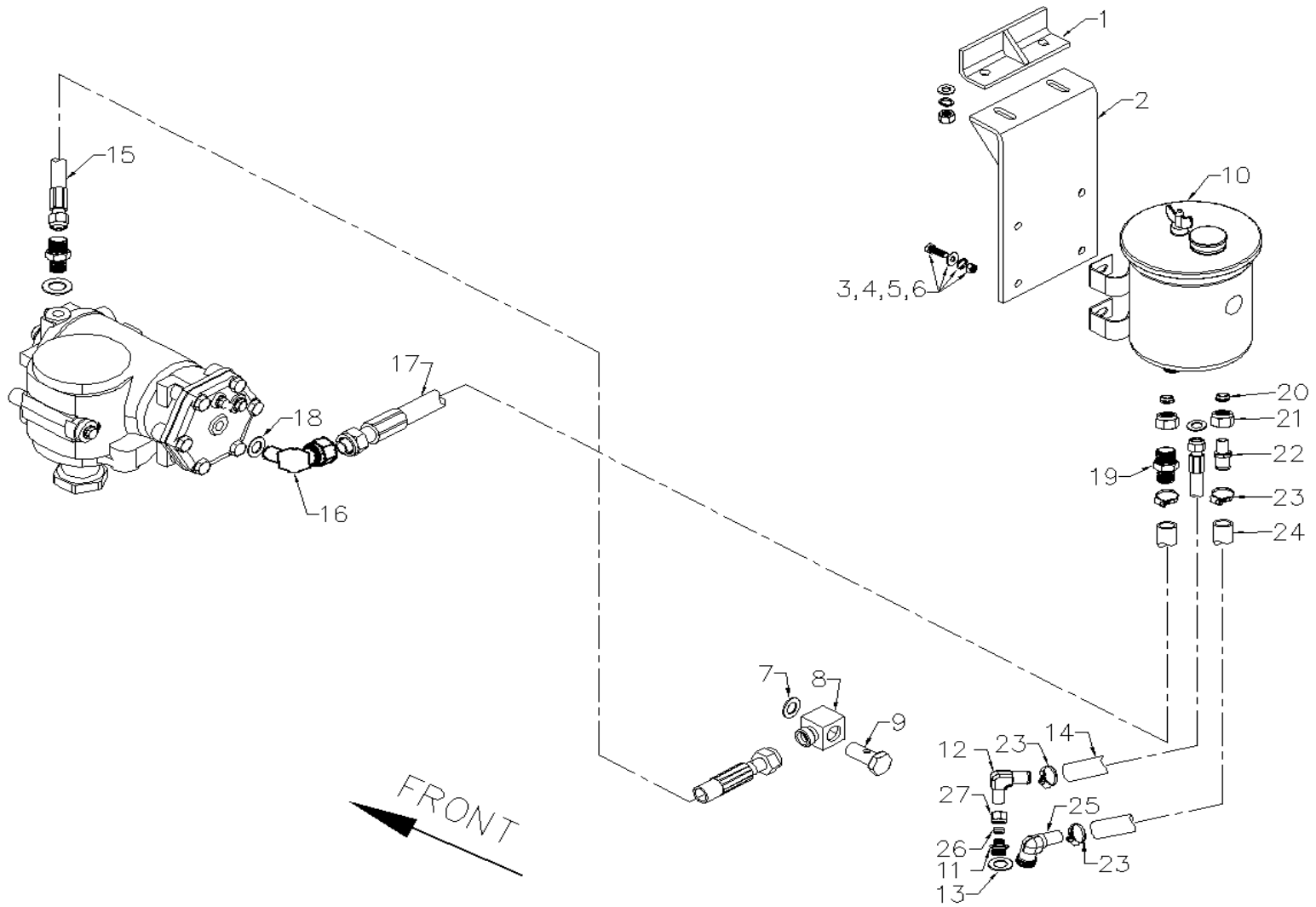
转向系统布置 STEERING SYSTEM



## 06-1 转向系统布置 STEERING SYSTEM

| 序号 S/N | 件号 PART CODE         | 件名 PART NAME | 英文件名 PART NAME                | 规格 SPEC | 数量 QTY | 备注 REMARK      |
|--------|----------------------|--------------|-------------------------------|---------|--------|----------------|
| 1      | 6127K12-3402012-MC   | 前立板          | Front vertical plate          |         | 1      |                |
| 2      | 6108K01-3402501      | 管柱安装梁        | Mounting bracket, column      |         | 1      |                |
| 3      | Q150B1235            | 六角螺栓         | Hex bolt                      |         | 5      | 不零售 Not retail |
| 4      | Q40112               | 平垫           | Plane washer                  |         | 4      | 不零售 Not retail |
| 5      | Q40312               | 弹簧垫圈         | Spring washer                 |         | 4      | 不零售 Not retail |
| 6      | Q40110               | 平垫圈          | Spring washer                 |         | 4      | 不零售 Not retail |
| 7      | Q40310               | 弹簧垫圈         | Spring washer                 |         | 4      | 不零售 Not retail |
| 8      | Q340B10              | 螺母           | Nut                           |         | 4      | 不零售 Not retail |
| 9      | Q150B1030            | 螺栓           | Bolt                          |         | 4      | 不零售 Not retail |
| 10     | 3402-303-B5F-B1      | 调节支架         | Adjusting bracket             |         | 1      |                |
| 11     | 6155E02-3402100-CY01 | 方向管柱总成       | Steering column assembly      |         | 1      |                |
| 12     | 6116G82-3402024      | 前地板          | Front floor                   |         | 1      |                |
| 13     | 7860955910           | 角转向器         | Angle transmission            |         | 1      |                |
| 14     | Q151B2035TF2         | 螺栓           | Bolt                          |         | 4      | 不零售 Not retail |
| 15     | Q40120T16F9          | 平垫圈          | Washer                        |         | 4      | 不零售 Not retail |
| 16     | Q341B12T13F2         | 螺母           | Nut                           |         | 4      | 不零售 Not retail |
| 17     | 6125G10-3401120      | 转向传动轴总成      | Steering drive shaft assembly |         | 1      |                |
| 18     | 8098955707           | 方向机          | Power Steering Gear           |         | 1      |                |
| 19     | 6126A11-3774100      | 组合开关总成       | Combination switch assembly   |         | 1      |                |
| 20     | 6937A16-3704100      | 点火开关总成       | Ignation switch assembly      |         | 1      |                |
| 21     | 6139X04-3401111      | 垂臂           | Pitman arm                    |         | 1      |                |
| 22     | 6139X04-3401010      | 直拉杆总成        | Drag-link assembly            |         | 1      |                |
| 23     | 3402-302-B5F         | 防尘罩压环        | Pressing ring, dust boot      |         | 1      |                |
| 24     | 3402-301-B5F         | 橡胶防尘罩        | Dust boot, rubber             |         | 1      |                |
| 25     | HFL1-6049-0000       | 方向盘          | Steering wheel                |         | 1      |                |
| 26     | Q2714832             | 自攻螺钉         | Screw, self-tapping           |         | 6      | 不零售 Not retail |
| 27     | Q40108               | 平垫           | Plane washer                  |         | 6      | 不零售 Not retail |
| 28     | Q40308               | 弹垫           | Spring washer                 |         | 6      | 不零售 Not retail |

06-2 转向操纵助力管路 STEERING OPERATION BOOSTING PIPELINE





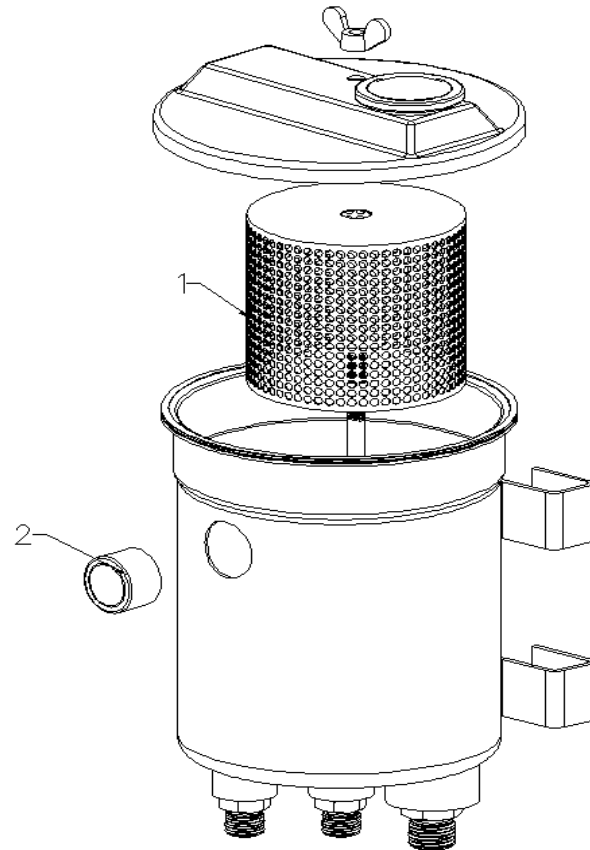
## 06-2 转向操纵助力管路 STEERING OPERATION BOOSTING PIPELINE

| 序号 S/N | 件号 PART CODE    | 件名 PART NAME    | 英文文件名 PART NAME                                     | 规格 SPEC | 数量 QTY | 备注 REMARK      |
|--------|-----------------|-----------------|---|---------|--------|----------------|
| 1      | 6127A28-3408023 | 转向油壶固定支架        | Fixing bracket, steering boosting                   |         | 1      |                |
| 2      | 6127A28-3408022 | 转向油壶安装板         | Mounting plate, steering boosting                   |         | 1      |                |
| 3      | Q150B1040       | 螺栓              | Bolt  |         | 4      | 不零售 Not retail |
| 4      | Q40110          | 平垫              | Plane washer  |         | 4      | 不零售 Not retail |
| 5      | Q40310          | 弹垫              | Spring washer                                       |         | 4      | 不零售 Not retail |
| 6      | Q340B10         | 螺母              | Nut   |         | 4      | 不零售 Not retail |
| 7      | JB1002-16       | 钢垫              | Steel pad   |         | 2      |                |
| 8      | 6115-3406051    | 卡套式铰接体          | Sleeve type articulated body                        |         | 1      |                |
| 9      | 6127A01-3406210 | 卡套式铰接螺栓         | Bolt  |         | 1      |                |
| 10     | 3408WG-010B     | 动力转向油罐          | Power steering boosting can                         |         | 1      |                |
| 11     | XML3425302J3F0  | 转向器过渡接头         | Transition connector, oil outlet, steering oil pump |         | 1      |                |
| 12     | ZJKT-14-16      | 直角接头            | Straight thread elbow connector                     |         | 1      |                |
| 13     | JB982-20        | 密封垫             | Sealing washer                                      |         | 2      |                |
| 14     | FYNYJG16X4      | 负压耐油胶管          | Rubber tube, oil-resist, pressure resist            |         | 1      |                |
| 15     | ZXGY13-14-12900 | 动力转向高压油管总成      | High-pressure oil pipeline assy., power steering    |         | 1      |                |
| 16     | GB3752.1-G14    | 卡套直角接头          | Straight thread elbow connector                     |         | 1      |                |
| 17     | ZXDY13-14-13700 | 动力转向回油软管总成      | Oil return pipe assy., power steering               |         | 1      |                |
| 18     | JB982-18        | 密封垫             | Sealing washer                                      |         | 1      |                |
| 19     | GB3733.1-G14    | 卡端直通接头          | Connector, oil inlet                                |         | 1      |                |
| 20     | GB3764-18       | 卡套              | Clip  |         | 1      |                |
| 21     | GB3759-G18      | 螺母 G18          | Nut G18   |         | 1      |                |
| 22     | XML3425201K3F0  | 油泵进油口过渡接头 (M30) | Transition joint, oil inlet, oil pump (M30)         |         | 1      |                |
| 23     | Q67535          | 卡箍              | Clip  |         | 4      |                |
| 24     | FYNYJG22X5      | 负压耐油胶管          | Rubber tube, oil-resist, pressure resist            |         | 1      |                |
| 25     | ZJKT-18-22      | 直角可调向接头         | Adjustable elbow connector                          |         | 1      |                |

|    |            |        |         |  |   |  |
|----|------------|--------|---------|--|---|--|
| 26 | GB3764-14  | 卡套     | Clip    |  | 1 |  |
| 27 | GB3759-G14 | 螺母 G14 | Nut G14 |  | 1 |  |

3408WG-010B

转向助力油壶 STEERING OIL CAN



3408WG-010B

转向助力油壶 STEERING OIL CAN

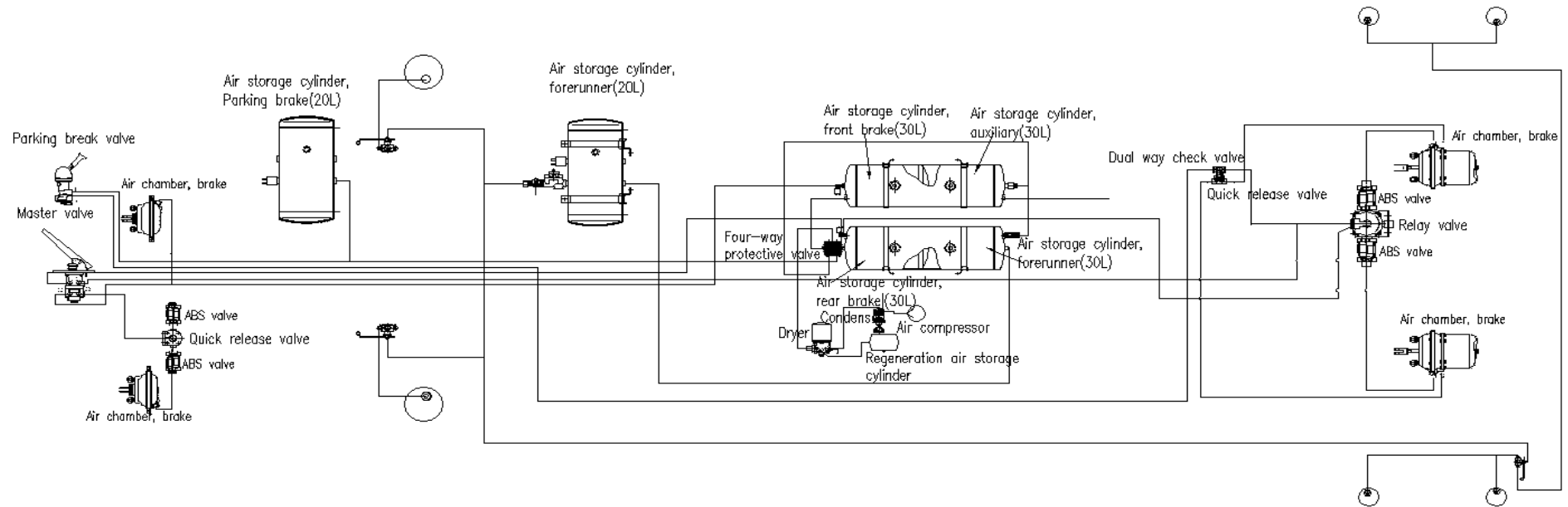
| 序号 S/N | 件号 PART CODE | 件名 PART NAME | 英文件名 PART NAME      | 规格 SPEC | 数量 QTY | 备注 REMARK |
|--------|--------------|--------------|---------------------|---------|--------|-----------|
| 1      | 3408LX-01    | 精滤芯          | Fine filter element |         | 1      |           |
| 2      | XSHF-3408010 | 视液镜          | Sight glass         |         | 1      |           |

**09 制动系统 BRAKE SYSTEM**

**制动系统  
BRAKE SYSTEM**

09-1

制动原理图 SCHEMATIC DIAGRAM, BRAKE

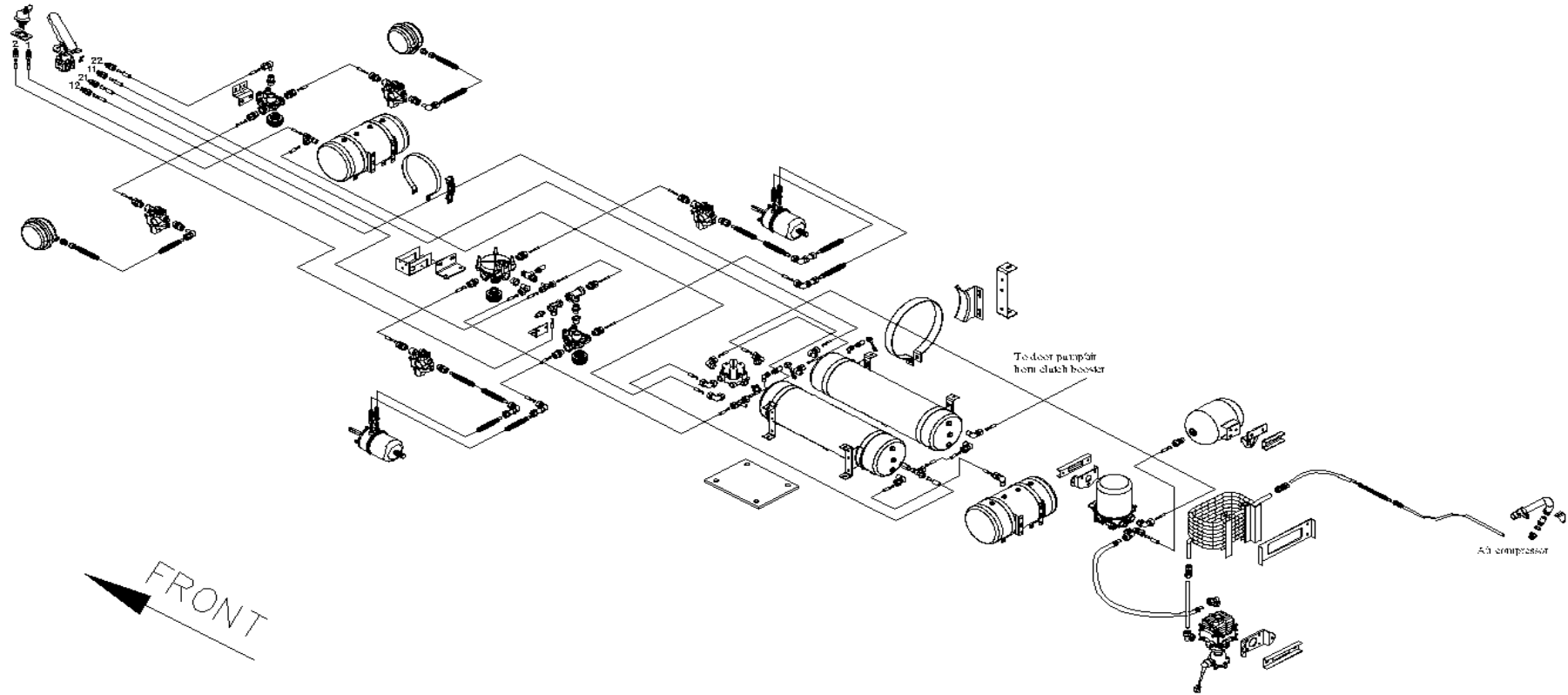


Note: Small size figures represent the interface of the valve body.

## 09-1 制动原理图 SCHEMATIC DIAGRAM, BRAKE

| 序号 S/N | 件号 PART CODE    | 件名 PART NAME | 英文件名 PART NAME                    | 规格 SPEC | 数量 QTY | 备注 REMARK |
|--------|-----------------|--------------|-----------------------------------|---------|--------|-----------|
| 0      | 6139X03-3500001 | 制动系统原理图      | Schematic Diagram of Brake system |         | 1      |           |

09-2 制动管路系统 ARRANGEMENT DIAGRAM, BRAKE

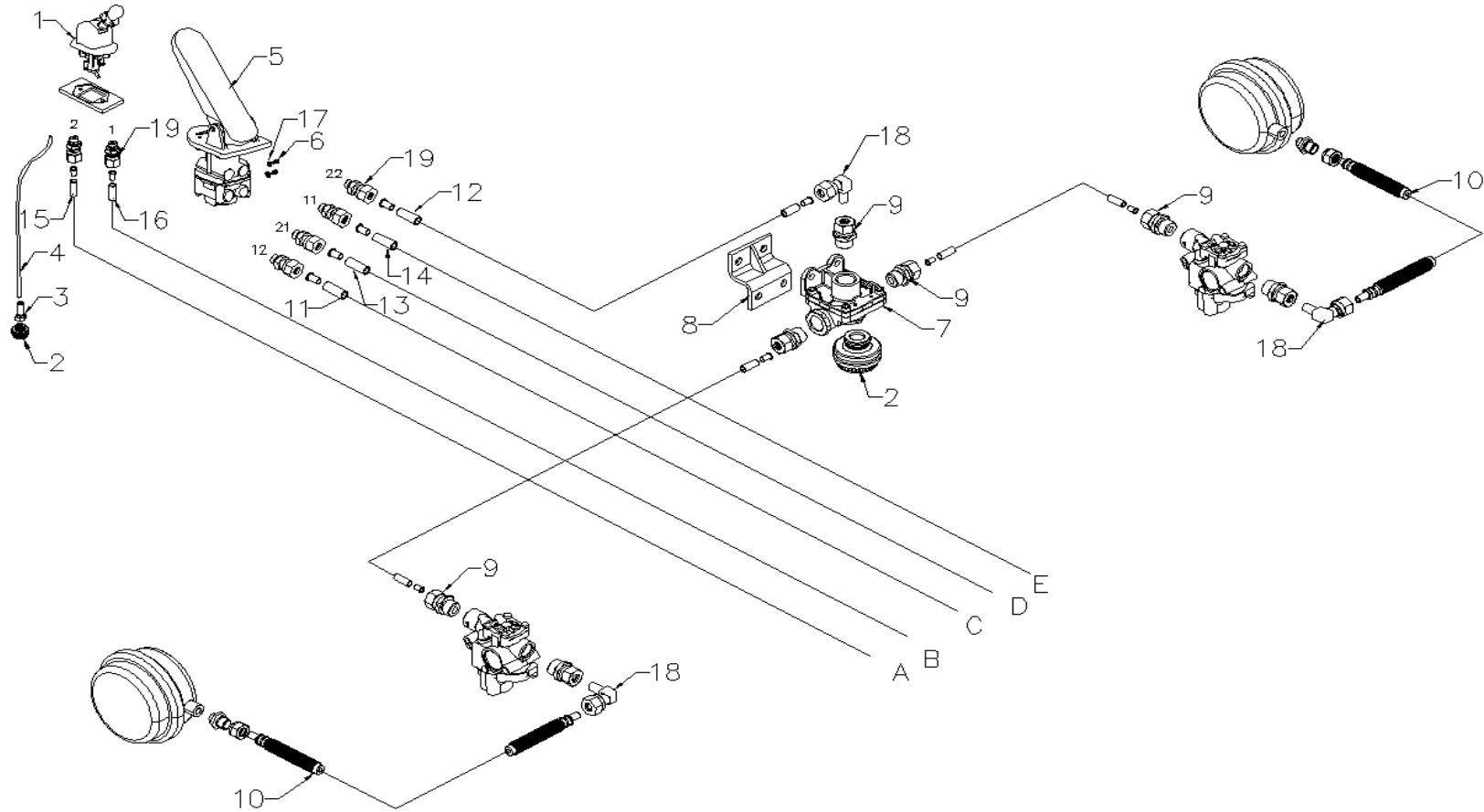


Note: 1. Small size figures represent the interface of the valve body.  
 2. If there is inconsistency between the image and the actual product, the actual product shall govern.



09-2-1

控制及前刹部分 CONTROL AND FRONT BRAKE



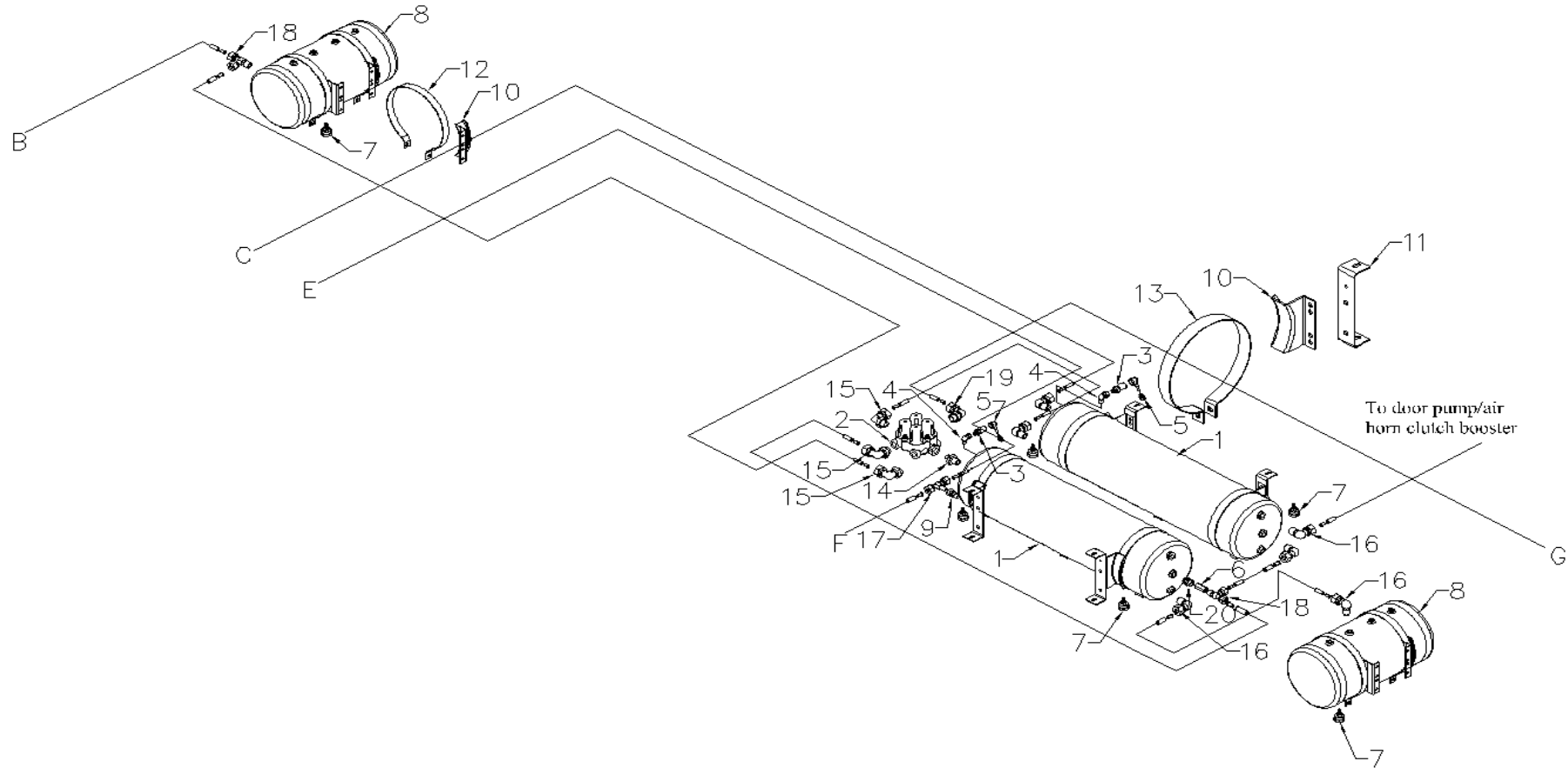
Note: 1. Small size figures represent the interface of the valve body.  
 2. If there is inconsistency between the image and the actual product, the actual product shall govern.

## 09-2-1 控制及前刹部分 CONTROL AND FRONT BRAKE

| 序号 S/N | 件号 PART CODE    | 件名 PART NAME      | 英文件名 PART NAME                    | 规格 SPEC | 数量 QTY | 备注 REMARK      |
|--------|-----------------|-------------------|-----------------------------------|---------|--------|----------------|
| 1      | 9617230380      | 驻车制动阀总成           | Hand brake valve                  |         | 1      |                |
| 2      | 4324070600      | 消声器               | Muffler                           |         | 2      |                |
| 3      | 6123X01-3508001 | 手刹阀排气接头           | Connector                         |         | 1      |                |
| 4      | 6700X42-3508020 | 手刹阀排气胶管           | Rubber tube                       |         | 1      |                |
| 5      | 4613180710      | 制动总阀              | Master valve                      |         | 1      |                |
| 6      | JB1000-M16X1.5  | 外六角螺塞             | Screw plug, outer Hex             |         | 2      | 不零售 Not retail |
| 7      | 9735000000      | 快放阀总成             | Quick release valve               |         | 1      |                |
| 8      | 6121C01-3500051 | 前快放阀支架            | Bracket, quick release valve      |         | 1      |                |
| 9      | 6100A-3500351   | PVC 阀接头           | Connector, PVC valve              |         | 12     |                |
| 10     | KTJG12-650      | 卡套左胶管接头           | Thread left rubber tube connector |         | 2      |                |
| 11     | PAG12X1.5-C     | Pa11 管(草绿色)12X1.5 | Pa11 tube (grass green)12*1.5     |         | 4      | 不零售 Not retail |
| 12     | PAG12X1.5-H     | Pa11 管(褐色)12X1.5  | Pa11 tube (brown)12*1.5           |         | 3      | 不零售 Not retail |
| 13     | PAG12X1.5-B     | Pa11 管(白色)12X1.5  | Pa11 tube (white)12*1.5           |         | 11     | 不零售 Not retail |
| 14     | PAG12X1.5-L     | Pa11 管(兰色)12X1.5  | Pa11 tube (blue)12*1.5            |         | 14     | 不零售 Not retail |
| 15     | PAG12X1.5-Y     | Pa11 管(黄色)12X1.5  | Pa11 tube (yellow)12*1.5          |         | 11     | 不零售 Not retail |
| 16     | PAG12X1.5-R     | Pa11 管(红色)12X1.5  | Pa11 tube (red)12*1.5             |         | 14     | 不零售 Not retail |
| 17     | JB1002-16       | 钢垫                | Washer                            |         | 4      | 不零售 Not retail |
| 18     | GB3752.1-G12    | 卡套直角接头            | Straight thread elbow connector   |         | 3      | 不零售 Not retail |
| 19     | GB3733.1-G12    | 卡套端直通管接头          | Straight connector, bite-type end |         | 4      | 不零售 Not retail |

09-2-2

储气筒及四保阀部分 AIR CYLINDER AND 4-WAY PROTECTIVE VALVE



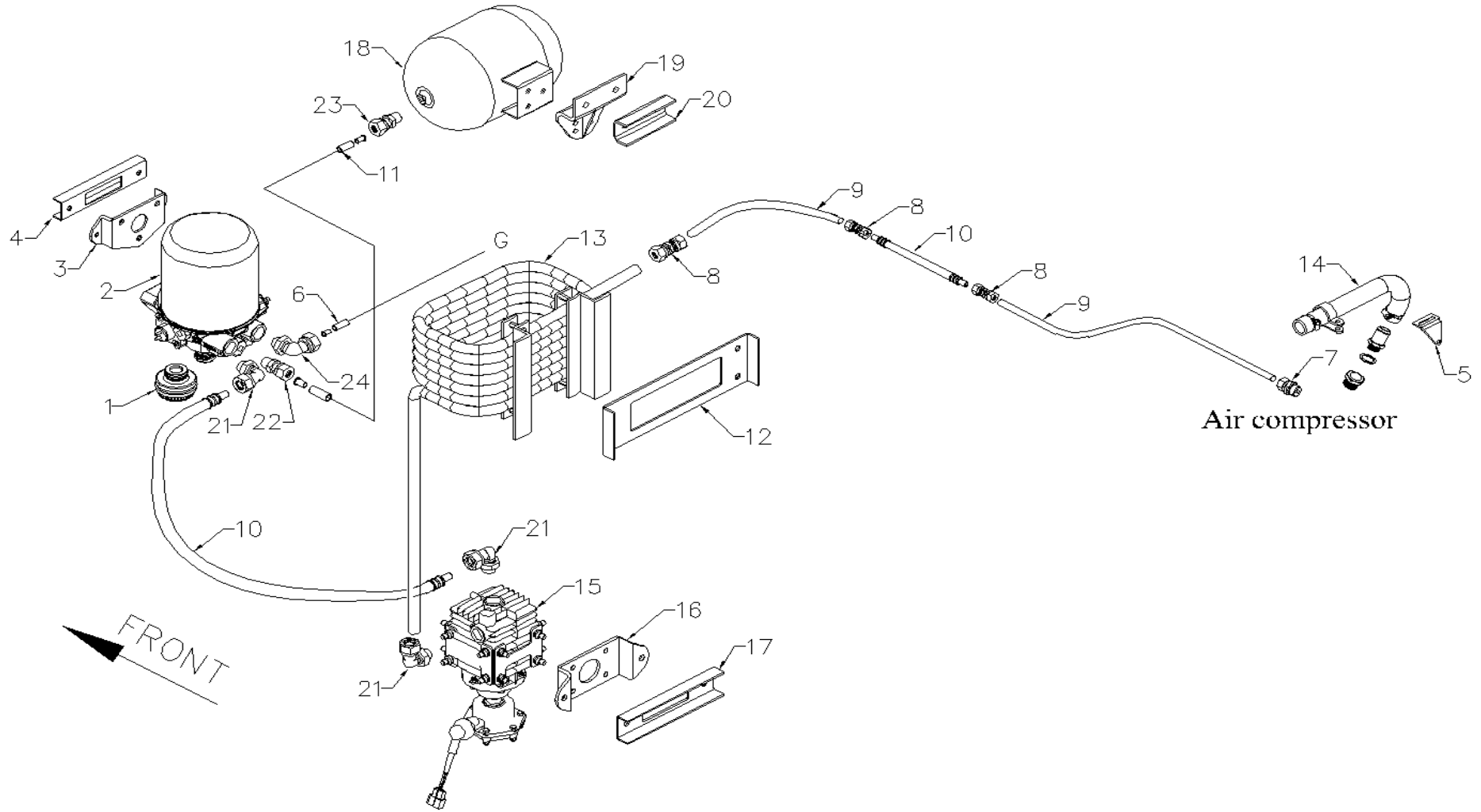
Note: 1. Small size figures represent the interface of the valve body.  
 2. If there is inconsistency between the image and the actual product, the actual product shall govern.

09-2-2

## 储气筒及四保阀部分 AIR CYLINDER AND 4-WAY PROTECTIVE VALVE

| 序号 S/N | 件号 PART CODE       | 件名 PART NAME   | 英文件名 PART NAME                             | 规格 SPEC | 数量 QTY | 备注 REMARK      |
|--------|--------------------|----------------|--|---------|--------|----------------|
| 1      | 6103A02-3513010    | 储气筒总成 (30+30L) | Air cylinder                               |         | 2      |                |
| 2      | 9347141100         | 四回路保护阀         | 4-way protective valve                     |         | 1      |                |
| 3      | 360-018-063-001C   | 气压传感器          | Air pressure sensor                        |         | 2      |                |
| 4      | 6127A01-3513013    | 气压传感器直角过渡接头    | Transition connector, air pressure sensor  |         | 2      |                |
| 5      | 6127A01-3820612-A1 | 传感器防水接插件       | Waterproof sensor connector                |         | 2      |                |
| 6      | AZ9100360310       | 单向阀            | One - way valve                            |         | 4      |                |
| 7      | XML3500025B2F0     | 自动放水阀          | Water drain valve, air cylinder            |         | 7      |                |
| 8      | 6837A03-3513020    | 储气筒总成          | Air cylinder                               |         | 2      |                |
| 9      | Q/103.1-12/3/8     | 卡锥直通接头         | Straight thread connector                  |         | 1      | 不零售 Not retail |
| 10     | 6100A2-3500102     | 储气筒抱箍支架        | Bracket, air cylinder                      |         | 8      |                |
| 11     | 3500330-009        | 储气筒支架总成        | Bracket, air cylinder                      |         | 4      |                |
| 12     | 3513301-001        | 储气筒抱箍          | Clamp, air cylinder                        |         | 6      |                |
| 13     | 6100A2-3500101     | 储气筒抱箍          | Clamp, air cylinder                        |         | 12     |                |
| 14     | 6860E01-3506772    | 四保阀接头体         | Connector body, 4-way protective valve     |         | 1      | 不零售 Not retail |
| 15     | XML3506004K3G0     | 卡套式可调向直角接头     | Straight adjustable thread elbow connector |         | 4      | 不零售 Not retail |
| 16     | Q/108.1-12/3/8     | 卡锥直角接头         | Straight thread elbow connector            |         | 8      | 不零售 Not retail |
| 17     | GB3753.1-G12       | 卡套式组合三通        | Combined thread three-way pipe             |         | 1      | 不零售 Not retail |
| 18     | Q/112.1-12/3/8     | 卡锥三通接头         | Conical thread 3-way connector             |         | 2      | 不零售 Not retail |
| 19     | WT001              | 弯三通            | Straight adjustable thread elbow connector |         | 1      | 不零售 Not retail |
| 20     | XML3500071N5F1     | 四保阀接头体         | Connector body, 4-way protective valve     |         | 1      | 不零售 Not retail |

09-2-3 气源部分 AIR SUPPLY



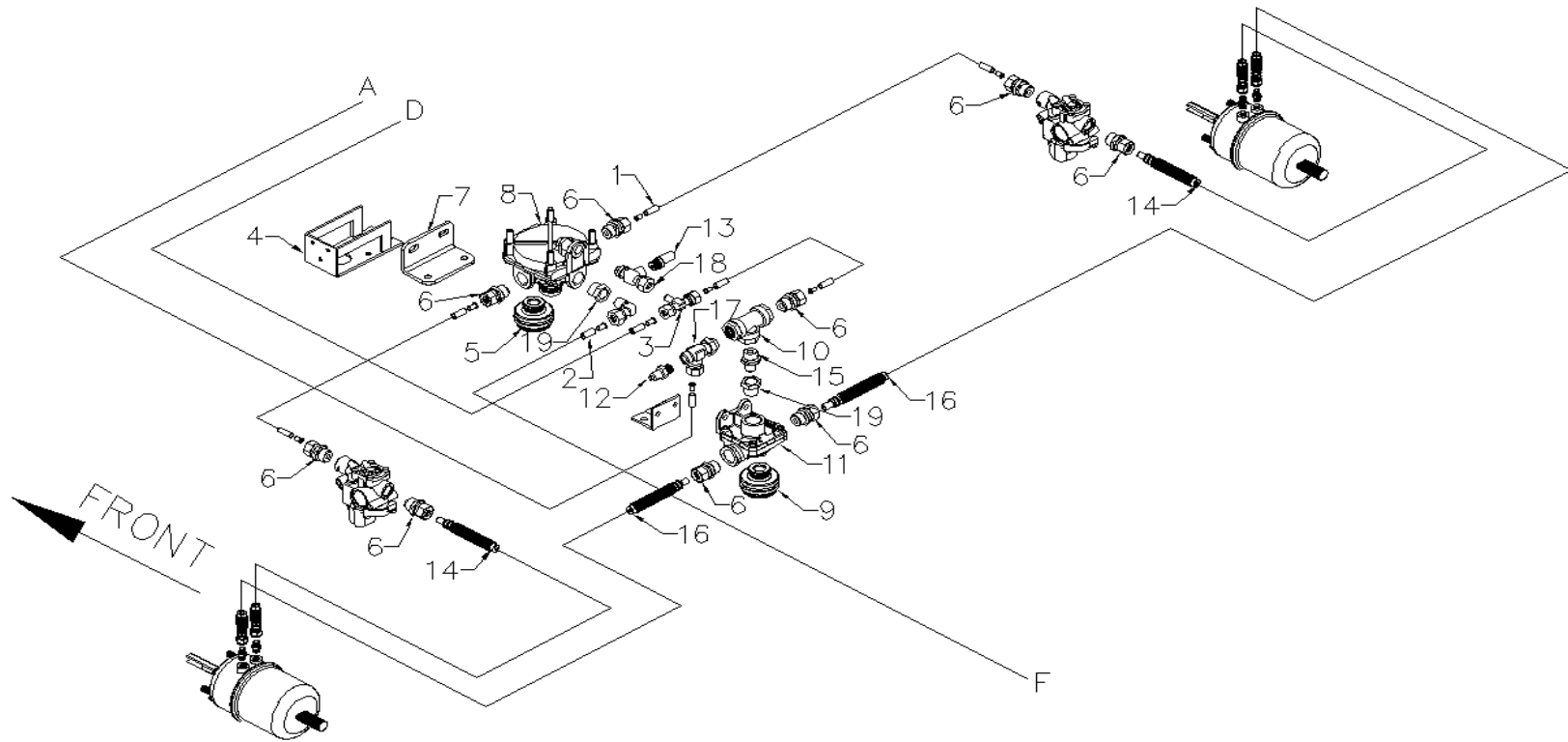
Note: 1. Small size figures represent the interface of the valve body.  
 2. If there is inconsistency between the image and the actual product, the actual product shall govern.

## 09-2-3 气源部分 AIR SUPPLY

| 序号 S/N | 件号 PART CODE    | 件名 PART NAME      | 英文件名 PART NAME                             | 规格 SPEC | 数量 QTY | 备注 REMARK      |
|--------|-----------------|-------------------|--|---------|--------|----------------|
| 1      | 4324070700      | 消声器               | Silencer                                   |         | 1      |                |
| 2      | 4324210280      | 干燥器               | Air dryer                                  |         | 1      |                |
| 3      | KQGZQ-ZJ01      | 干燥器支架(一)          | Bracket, air dryer                         |         | 1      |                |
| 4      | KQGZQ-ZJ02      | 干燥器支架(二)          | Bracket, air dryer                         |         | 1      |                |
| 5      | 3500-184-B4F    | 钢管支架              | Bracket, steel pipe                        |         | 1      |                |
| 6      | PAG12X1.5-M     | Pa11 管(墨绿色)12×1.5 | Pa11 tube (black green) 12*1.5             |         | 7      |                |
| 7      | 6155E01-3506111 | 空压机出气接头           | Connector                                  |         | 1      |                |
| 8      | GB3737.1-G18    | 卡直通接头             | Straight thread connector                  |         | 2      |                |
| 9      | GWG18-500       | 高温编制软管            | High temperature hose                      |         | 2      |                |
| 10     | GWG18-800       | 不锈钢编织波纹管总成        | High temperature pipe                      |         | 2      |                |
| 11     | PAG6X1          | Pa11 管(黑色)6X1     | Pall tube 6*1                              |         | 2      |                |
| 12     | SRTG-ZJ05       | 散热铜管支架(五)         | Bracket, radiator copper pipe              |         | 1      |                |
| 13     | SRTGY18         | 散热铜管总成            | Radiator copper pipe                       |         | 1      |                |
| 14     | 11R117-3500162  | 空压机进气胶管           | Rubber tube, air intake, air compressor    |         | 1      |                |
| 15     | 35MA1-50030     | 冷凝器               | Condenser                                  |         | 1      |                |
| 16     | 6126X01-3566011 | 冷凝器固定支架           | Bracket, condenser                         |         | 1      |                |
| 17     | 6126X01-3566012 | 冷凝器固定支架(二)        | Bracket, condenser                         |         | 1      |                |
| 18     | 11R105-3500045  | 再生储气罐             | Regeneration air reservoir                 |         | 1      |                |
| 19     | ZSCQT-ZJ01      | 再生储气筒支架           | Bracket, regeneration air reservoir        |         | 1      |                |
| 20     | ZSCQT-ZJ02      | 再生储气筒支架(二)        | Bracket, regeneration air reservoir        |         | 1      |                |
| 21     | GB699-G18       | 卡套式可调直角           | Straight adjustable thread elbow connector |         | 4      | 不零售 Not retail |
| 22     | 6100A-3500212   | 空气干燥器接头体          | Connector, air dryer                       |         | 1      | 不零售 Not retail |
| 23     | GB3733.1-G6     | 卡套端直通管接头          | Straight connector, bite-type end          |         | 1      | 不零售 Not retail |
| 24     | WT001           | 弯三通               | Straight adjustable thread elbow connector |         | 1      | 不零售 Not retail |

09-2-4

后刹及驻车部分 REAR BRAKE AND PARKING BRAKE



Note: 1. Small size figures represent the interface of the valve body.  
 2. If there is inconsistency between the image and the actual product, the actual product shall govern.

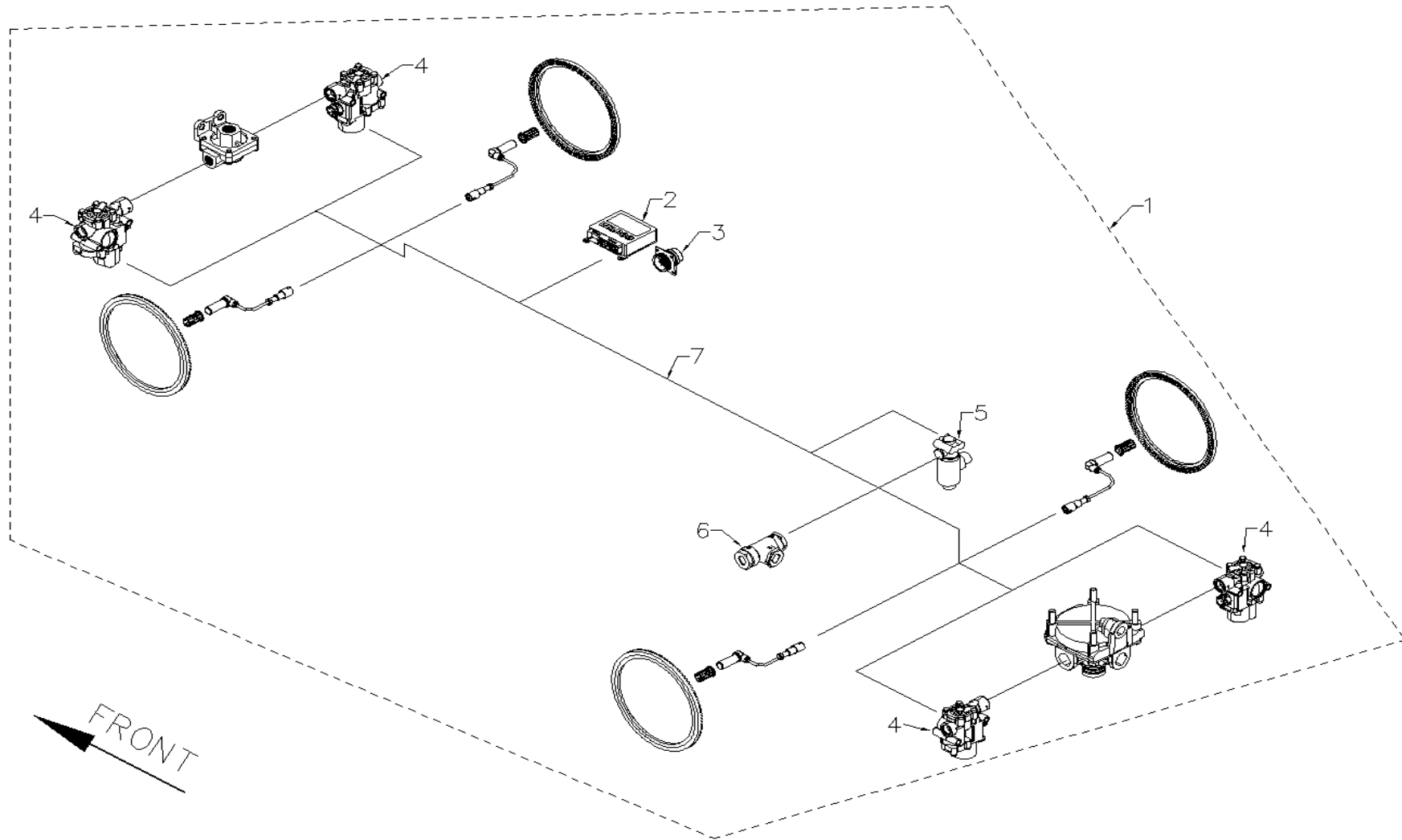
## 09-2-4

## 后刹及驻车部分 REAR BRAKE AND PARKING BRAKE

| 序号 S/N | 件号 PART CODE      | 件名 PART NAME     | 英文件名 PART NAME                         | 规格 SPEC | 数量 QTY | 备注 REMARK      |
|--------|-------------------|------------------|--|---------|--------|----------------|
| 1      | PAG12X1.5-B       | Pa11 管(白色)12X1.5 | Pa11 tube (white)12*1.5                |         | 11     |                |
| 2      | PAG12X1.5-L       | Pa11 管(兰色)12X1.5 | Pa11 tube (blue)12*1.5                 |         | 4      |                |
| 3      | 6127K01-3566011   | 卡套式三通接头          | Connector                              |         | 1      |                |
| 4      | 3500-012-C4F      | 综合支架二            | Synthesis bracket                      |         | 1      |                |
| 5      | 4324070700        | 消声器              | Muffler                                |         | 1      |                |
| 6      | 6100A-3500351     | PVC 阀接头          | PVC valve connector                    |         | 9      |                |
| 7      | 6115E11-3518011   | 继动阀支架            | Bracket, relay valve assembly          |         | 1      |                |
| 8      | 9730110010        | 继动阀总成            | Relay valve assembly                   |         | 1      |                |
| 9      | 4324070600        | 消声器              | Muffler                                |         | 1      |                |
| 10     | 4342080000        | 双通单向阀            | Two-way check valve                    |         | 1      |                |
| 11     | 9735000000        | 快放阀总成            | Quick release valve assy.              |         | 1      |                |
| 12     | 6100A2-3720200-A1 | 手刹车开关            | Hand brake light switch                |         | 1      |                |
| 13     | 4134830-201-A1    | 制动灯开关            | Brake light switch                     |         | 1      |                |
| 14     | KTJG12-800        | 卡套式胶管接头总成        | Thread rubber tube                     |         | 2      |                |
| 15     | XML3500071N5F1    | 四保阀接头体           | Connector body, 4-way protective valve |         | 1      | 不零售 Not retail |
| 16     | KTJG12-1000       | 卡套式胶管接头          | Thread rubber tube                     |         | 2      |                |
| 17     | 6121J02-3506030   | 测试过渡接头           | Test transition connector              |         | 1      |                |
| 18     | 6121J02-3506040   | 测试过渡接头           | Test transition connector              |         | 1      |                |
| 19     | 6100A-3500184     | 过渡接头             | Transition connector                   |         | 2      | 不零售 Not retail |



# 09-3 制动防抱死系统 (ABS) ANTI-LOCK BRAKING SYSTEM (ABS)



## 09-3 制动防抱死系统 (ABS) ANTI-LOCK BRAKING SYSTEM (ABS)

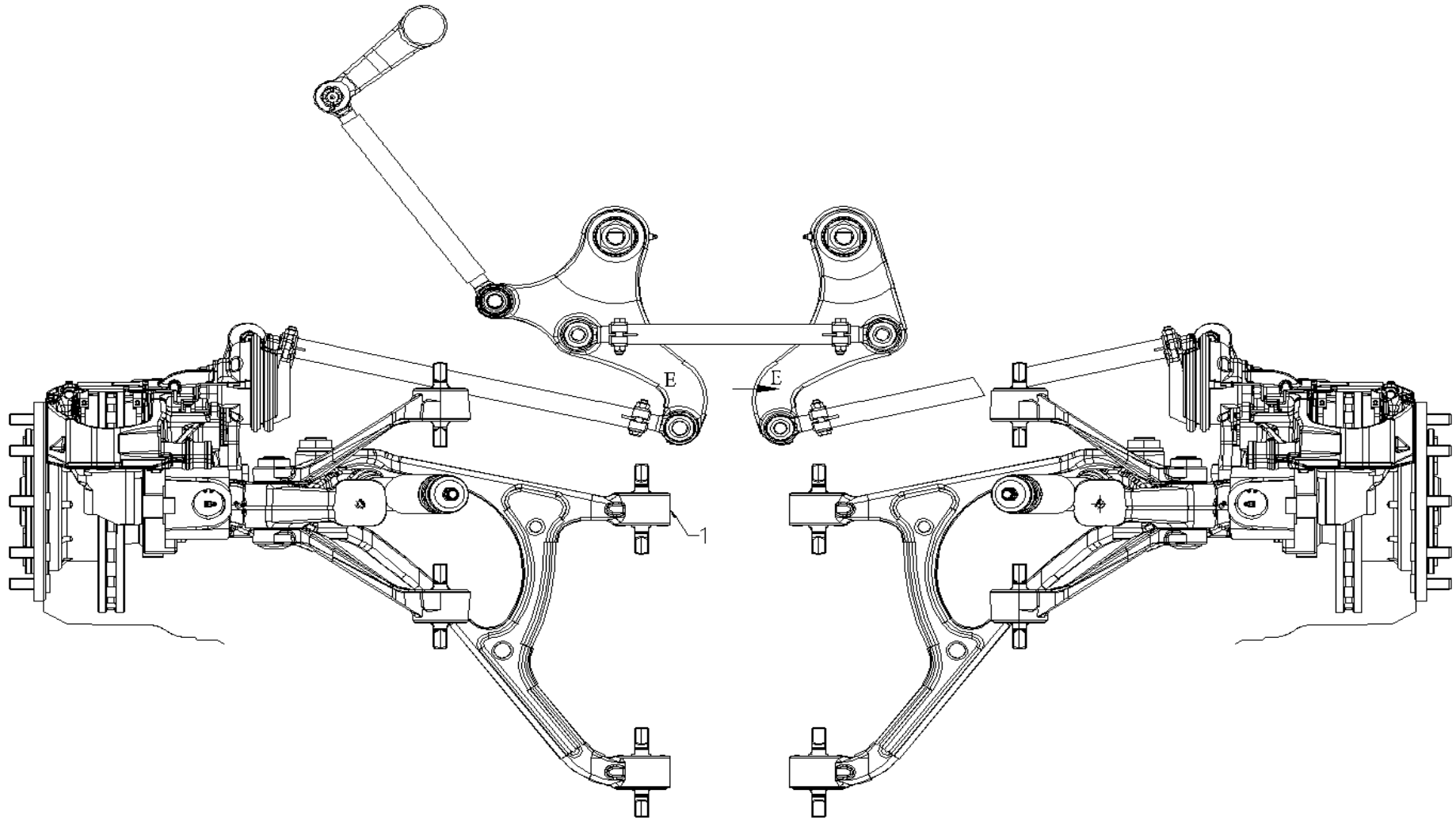
| 序号 S/N | 件号 PART CODE         | 件名 PART NAME | 英文件名 PART NAME              | 规格 SPEC | 数量 QTY | 备注 REMARK       |
|--------|----------------------|--------------|-----------------------------|---------|--------|-----------------|
| 1      | ASR-E-WABC0-04       | ABS 防抱死系统    | Anti-lock braking system    |         | 1      |                 |
| 2      | 446 004 320 0        | ECU          | ECU                         |         | 1      |                 |
| 3      | 894 101 722 2        | 诊断接口         | Diagnosis connector         |         | 1      |                 |
| 3      | 182916-1             | 诊断接口护套       | Sheath, diagnosis connector |         | 1      |                 |
| 3      | 208652-1             | 上盖           | Upper cap                   |         | 1      |                 |
| 4      | 472 195 018 0        | 电磁阀          | Solenoid valve              |         | 4      |                 |
| 5      | 472 170 6060         | ASR 电磁阀      | ASR valve                   |         | 1      |                 |
| 6      | 434 208 028 0        | 双通单向阀        | Two-way valve               |         | 1      |                 |
| 7      | 6139X02-4010080-EK45 | ABS 线束       | ABS harness                 |         | 1      |                 |
| 8      | 449 513 0600         | 电磁阀导线        | Cable for solenoid valve    |         | 2      | 图中未标注 Uncharted |
| 9      | 449 513 1000         | 电磁阀导线        | Cable for solenoid valve    |         | 2      | 图中未标注 Uncharted |
| 10     | 449 721 0600         | 传感器导线        | Cable for sensor            |         | 2      | 图中未标注 Uncharted |
| 11     | 449 721 1000         | 传感器导线        | Cable for sensor            |         | 2      | 图中未标注 Uncharted |
| 12     | 449 415 1000         | ASR 电磁阀导线    | Cable for ASR valve         |         | 1      | 图中未标注 Uncharted |
| 13     | 894 070 8314         | 插头           | Plug                        |         | 4      | 图中未标注 Uncharted |
| 14     | 894 070 8294         | 插头           | Plug                        |         | 4      | 图中未标注 Uncharted |
| 15     | 894 110 110 2        | 插头体          | Connector housing           |         | 1      | 图中未标注 Uncharted |
| 16     | 894 110 091 4        | 插头体          | Connector housing           |         | 1      | 图中未标注 Uncharted |

**10 底盘总成件 CHASSIS ASSEMBLY PARTS**

**底盘总成件  
CHASSIS ASSEMBLY PARTS**

10-1F

前桥总成 FRONT AXLE ASSEMBLY

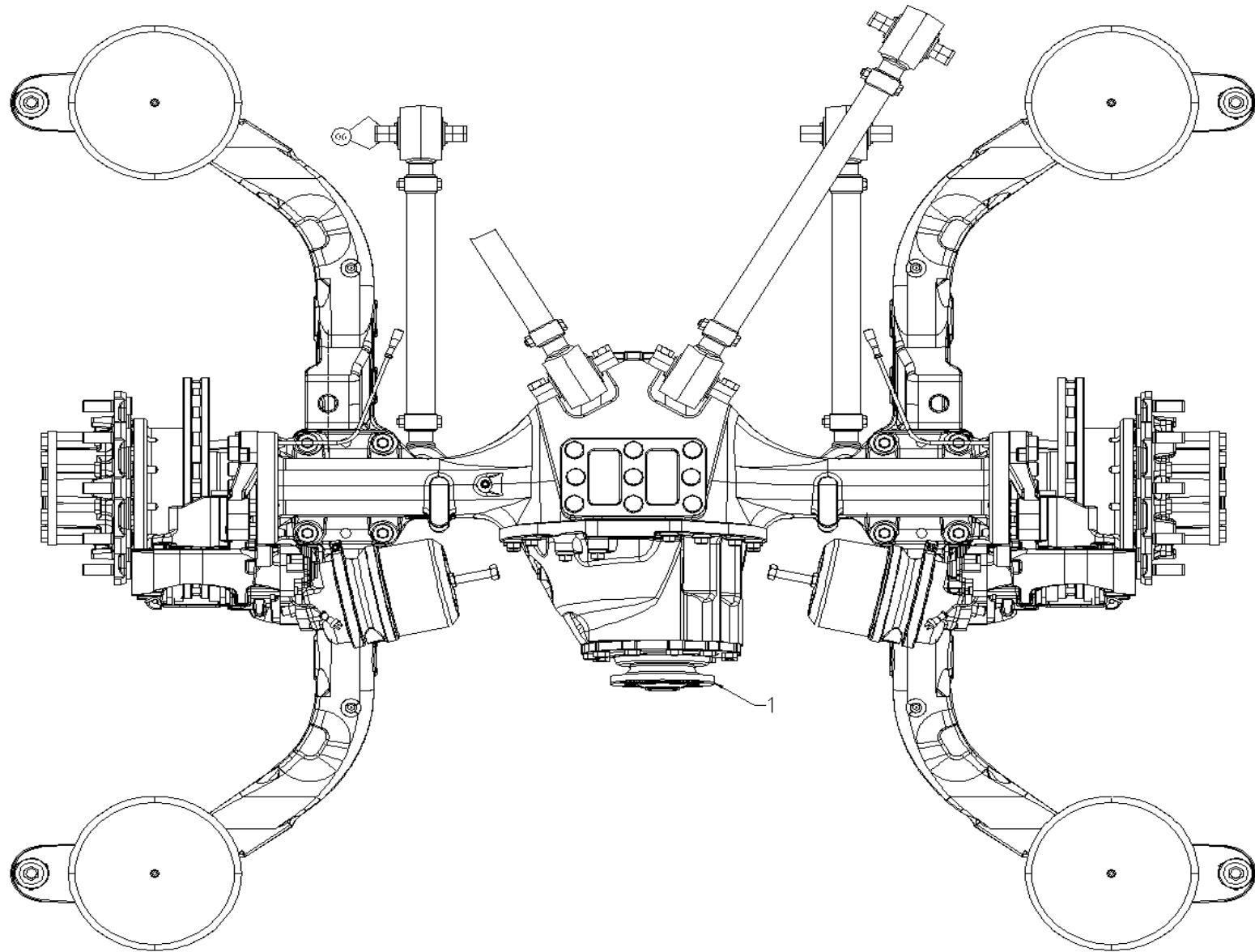


## 10-1F 前桥总成 FRONT AXLE ASSEMBLY

| 序号 S/N | 件号 PART CODE | 件名 PART NAME | 英文件名 PART NAME      | 规格 SPEC | 数量 QTY | 备注 REMARK |
|--------|--------------|--------------|---------------------|---------|--------|-----------|
| 1      | 4474085218   | 前桥总成         | Front axle assembly |         | 1      |           |

10-1R

后桥总成 REAR AXLE ASSEMBLY



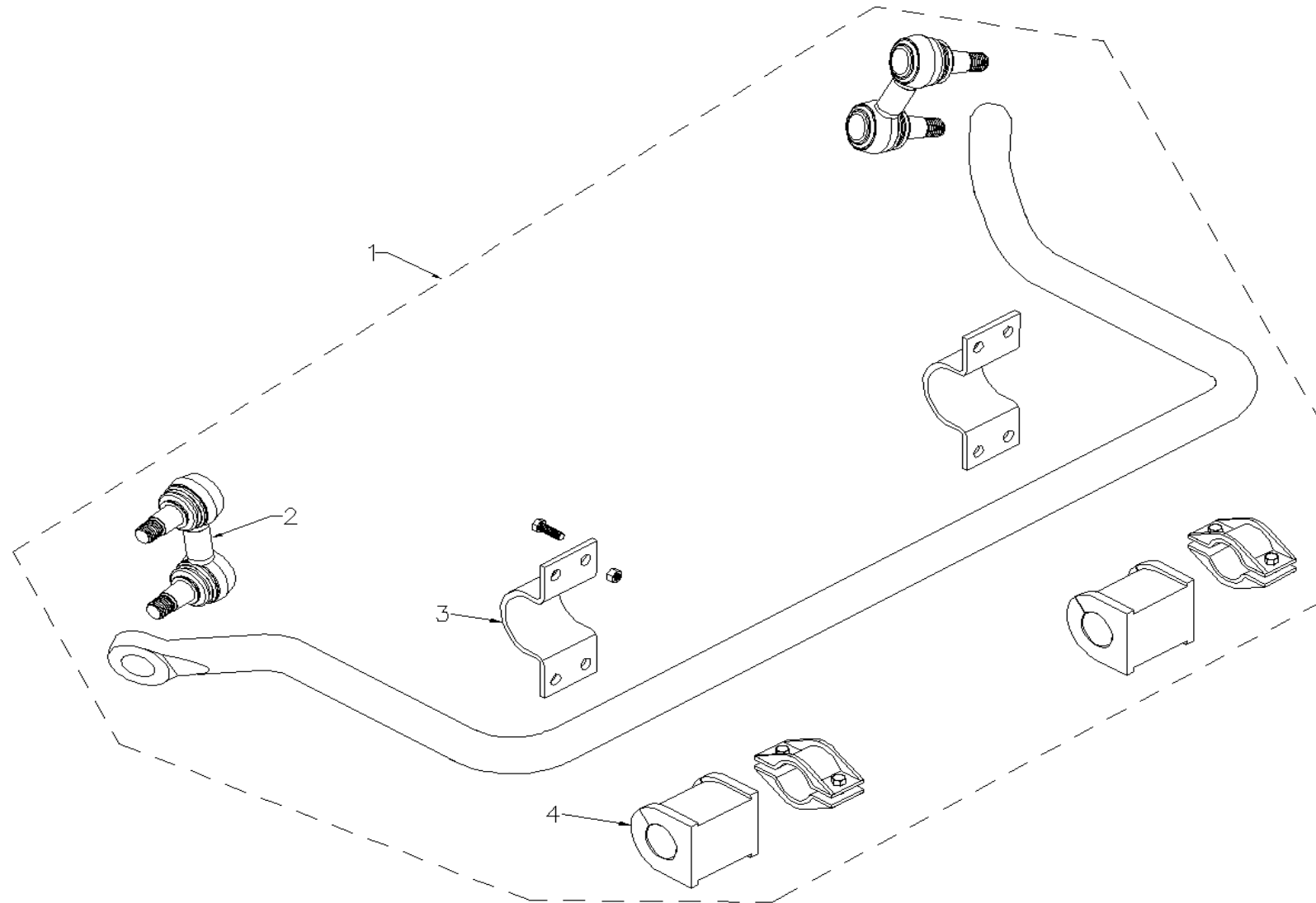
10-1R

后桥总成 REAR AXLE ASSEMBLY

| 序号 S/N | 件号 PART CODE | 件名 PART NAME | 英文件名 PART NAME     | 规格 SPEC | 数量 QTY | 备注 REMARK |
|--------|--------------|--------------|--------------------|---------|--------|-----------|
| 1      | 4474035560   | 后桥总成         | Rear axle assembly |         | 1      |           |

10-2FS

前稳定杆安装总成 FRONT STABILIZER INSTALL ASSEMBLY





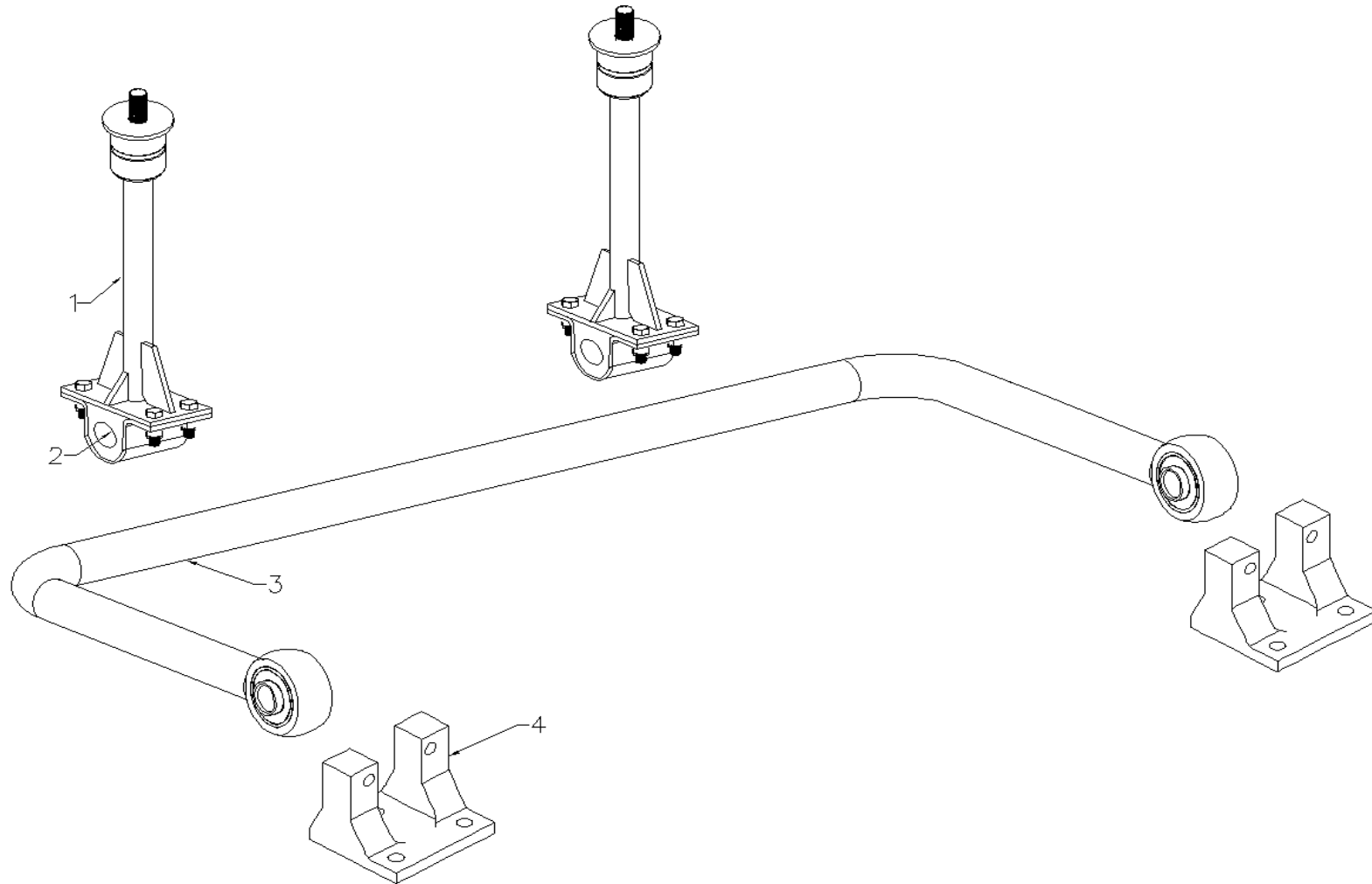
10-2FS

## 前稳定杆安装总成 FRONT STABILIZER INSTALL ASSEMBLY

| 序号 S/N | 件号 PART CODE | 件名 PART NAME | 英文件名 PART NAME                         | 规格 SPEC | 数量 QTY | 备注 REMARK |
|--------|--------------|--------------|--|---------|--------|-----------|
| 1      | JBI1402J     | 前横向稳定杆安装总成   | Front Stabilizer bar mounting assembly |         | 1      |           |
| 2      | 1200J2994210 | 前稳定杆吊杆       | Suspending bar , front stabilizer bar  |         | 2      |           |
| 3      | 1302J1994510 | 稳定杆夹箍        | Clamp                                  |         | 2      |           |
| 4      | 1200J2164512 | 稳定杆橡胶套       | Rubber bushing, stabilizer bar         |         | 2      |           |

10-2RS

后稳定杆安装总成 REAR SUSPENSION ASSEMBLY

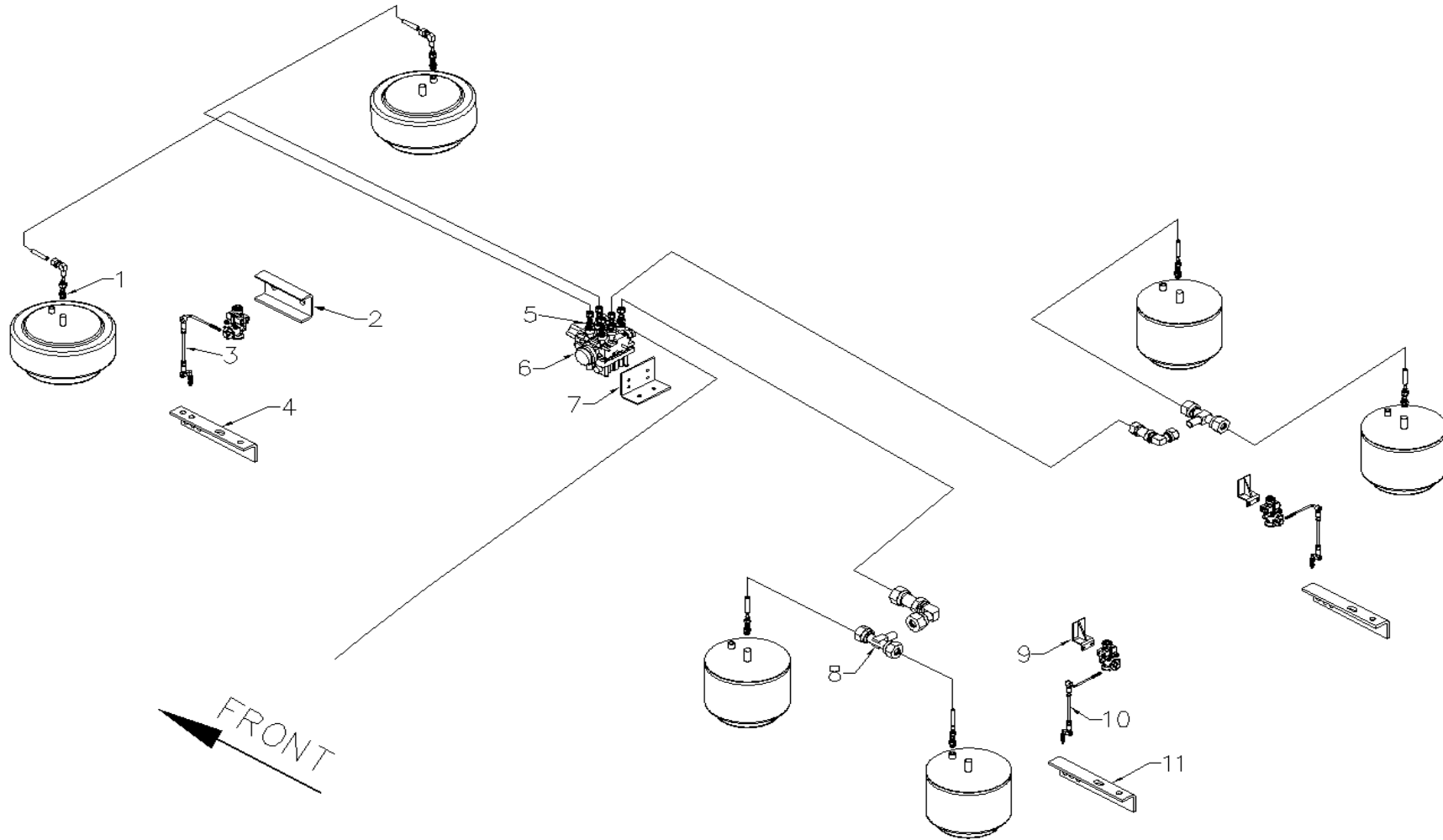


10-2RS

## 后稳定杆安装总成 REAR SUSPENSION ASSEMBLY

| 序号 S/N | 件号 PART CODE    | 件名 PART NAME | 英文件名 PART NAME                  | 规格 SPEC | 数量 QTY | 备注 REMARK |
|--------|-----------------|--------------|---------------------------------|---------|--------|-----------|
| 1      | 04-100431-02    | 吊杆组件         | Boom assembly                   |         | 2      |           |
| 2      | 10-503590-01    | 衬套           | Bushing                         |         | 2      |           |
| 3      | 06-501000-31    | 稳定杆总成        | Stabilizer bar assy.            |         | 1      |           |
| 4      | 6122J03-2906001 | 后稳定杆下座       | Lower seat, rear stabilizer bar |         | 2      |           |

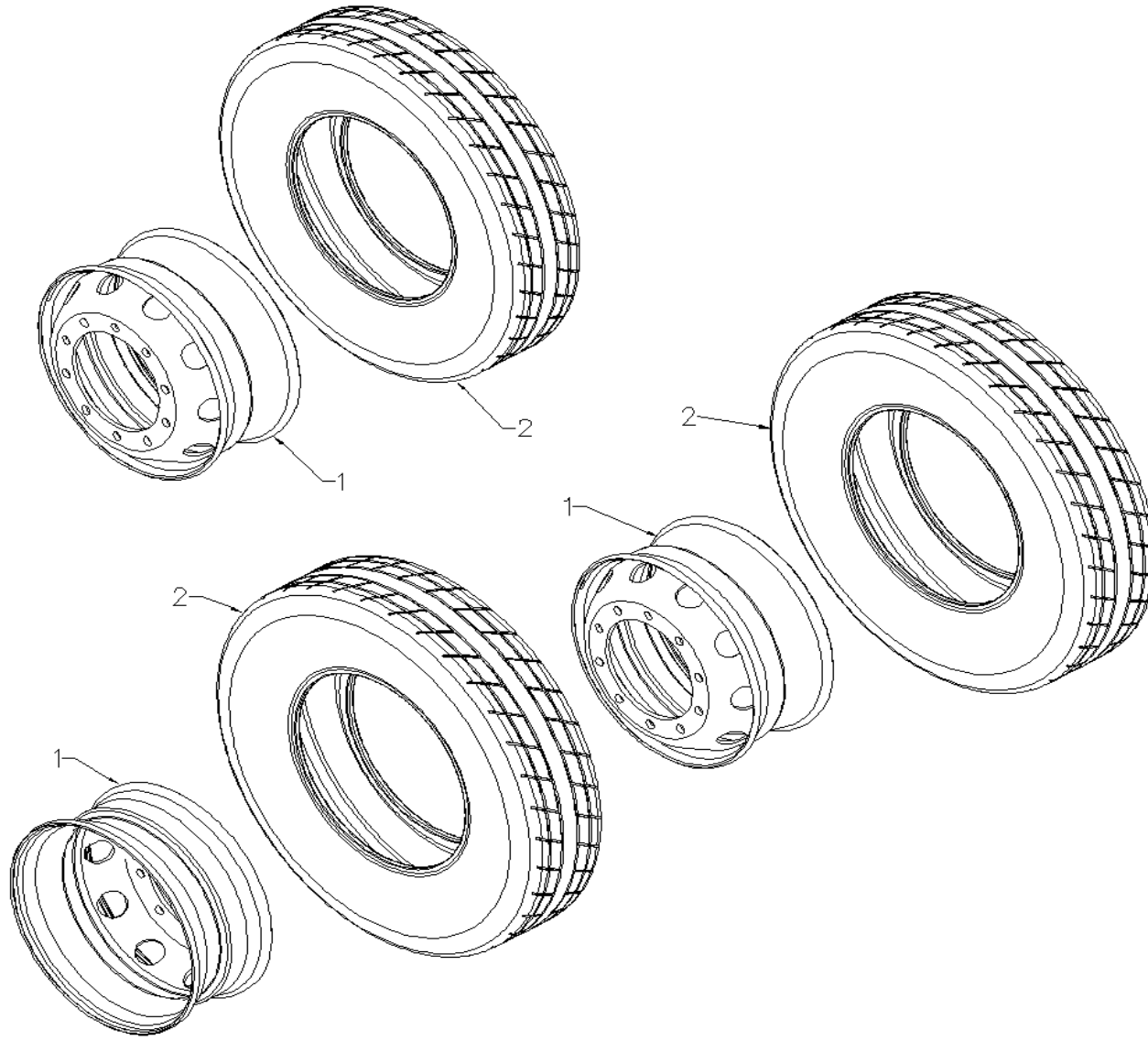
# 10-2L 空气调平 AIR LEVELING



## 10-2L 空气调平 AIR LEVELING

| 序号 S/N | 件号 PART CODE    | 件名 PART NAME  | 英文件名 PART NAME                                 | 规格 SPEC | 数量 QTY | 备注 REMARK |
|--------|-----------------|---------------|--|---------|--------|-----------|
| 1      | 11R116-2903024  | 压力开关接头        | Pressure switch connector                      |         | 6      |           |
| 2      | 2903-052-C5G    | 前高度传感器安装板     | Mounting plate,height sensor                   |         | 1      |           |
| 3      | 2903-100-C5G    | 前高度传感器调节杆     | Height lever , fornt height sensor             |         | 1      |           |
| 4      | 6127A01-2908232 | 前高度传感器调节杆下支座  | Height lever base bracket, fornt height sensor |         | 1      |           |
| 5      | 6100A-3500351   | PVC 阀接头       | Connector, PVC valve                           |         | 6      |           |
| 6      | ECAS-WABC0-01   | 悬挂电控系统        | Electric control system, suspension            |         | 1      |           |
| 7      | 6128J05-2908101 | ECASE 电磁阀安装支架 | Mountig bracket,ECASE solenoid valve           |         | 2      |           |
| 8      | GB3753.1-G12    | 卡套式组合三通       | Combined thread three-way pipe                 |         | 4      |           |
| 9      | 2903-053-C5G    | 后高度传感器安装板     | Mounting plate,raer height sensor              |         | 2      |           |
| 10     | 2903-101-C5G    | 后高度传感器调节杆     | Height lever, rear height sensor               |         | 2      |           |
| 11     | 11R105-3508002  | 后高度阀下支架       | Raer height valve base bracket                 |         | 2      |           |

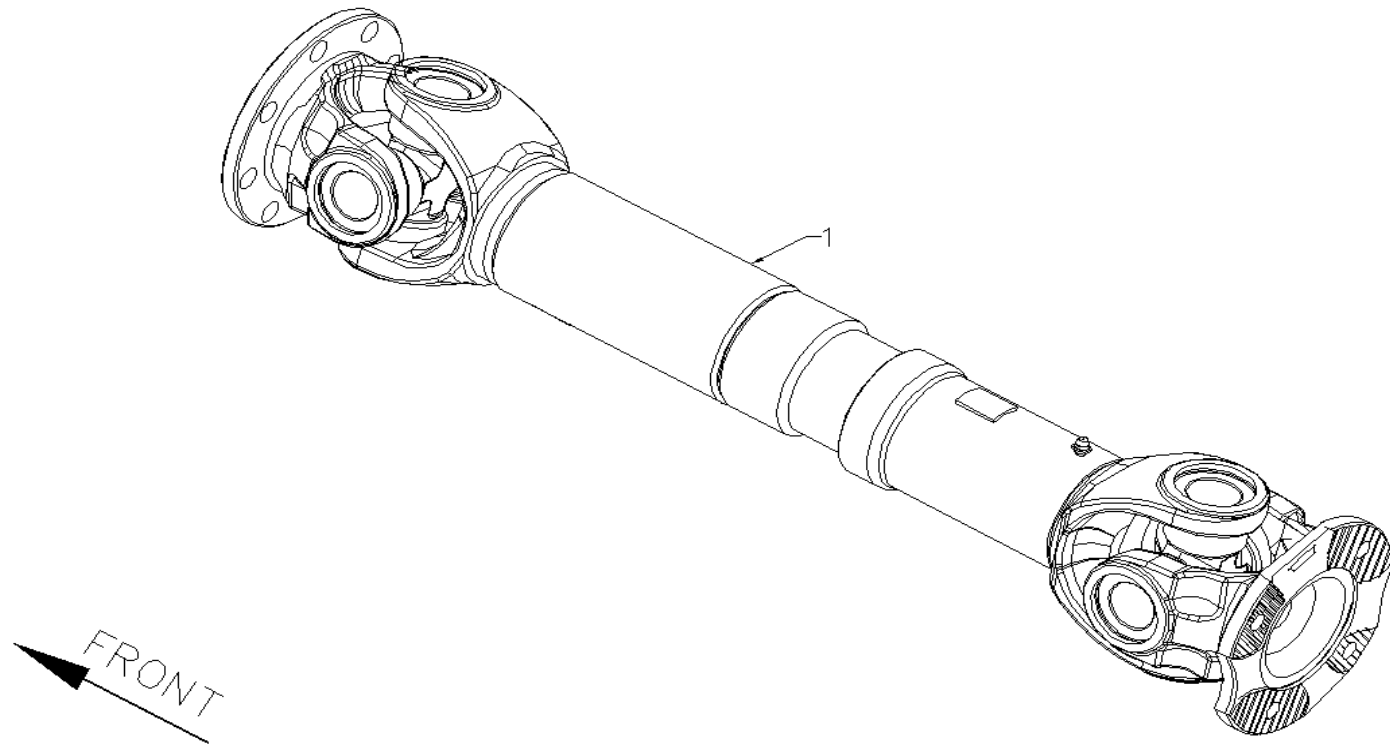
# 10-3 车轮安装 WHEEL INSTALLTION



## 10-3 车轮安装 WHEEL INSTALLTION

| 序号 S/N | 件号 PART CODE       | 件名 PART NAME | 英文件名 PART NAME | 规格 SPEC | 数量 QTY | 备注 REMARK |
|--------|--------------------|--------------|----------------|---------|--------|-----------|
| 1      | T004813532A        | 车轮           | Wheel          |         | 7      |           |
| 2      | 295/80R22.5-18PR-3 | 轮胎           | Tyre           |         | 7      |           |

# 10-4 传动轴安装 DRIVE SHAFT INSTALLATION



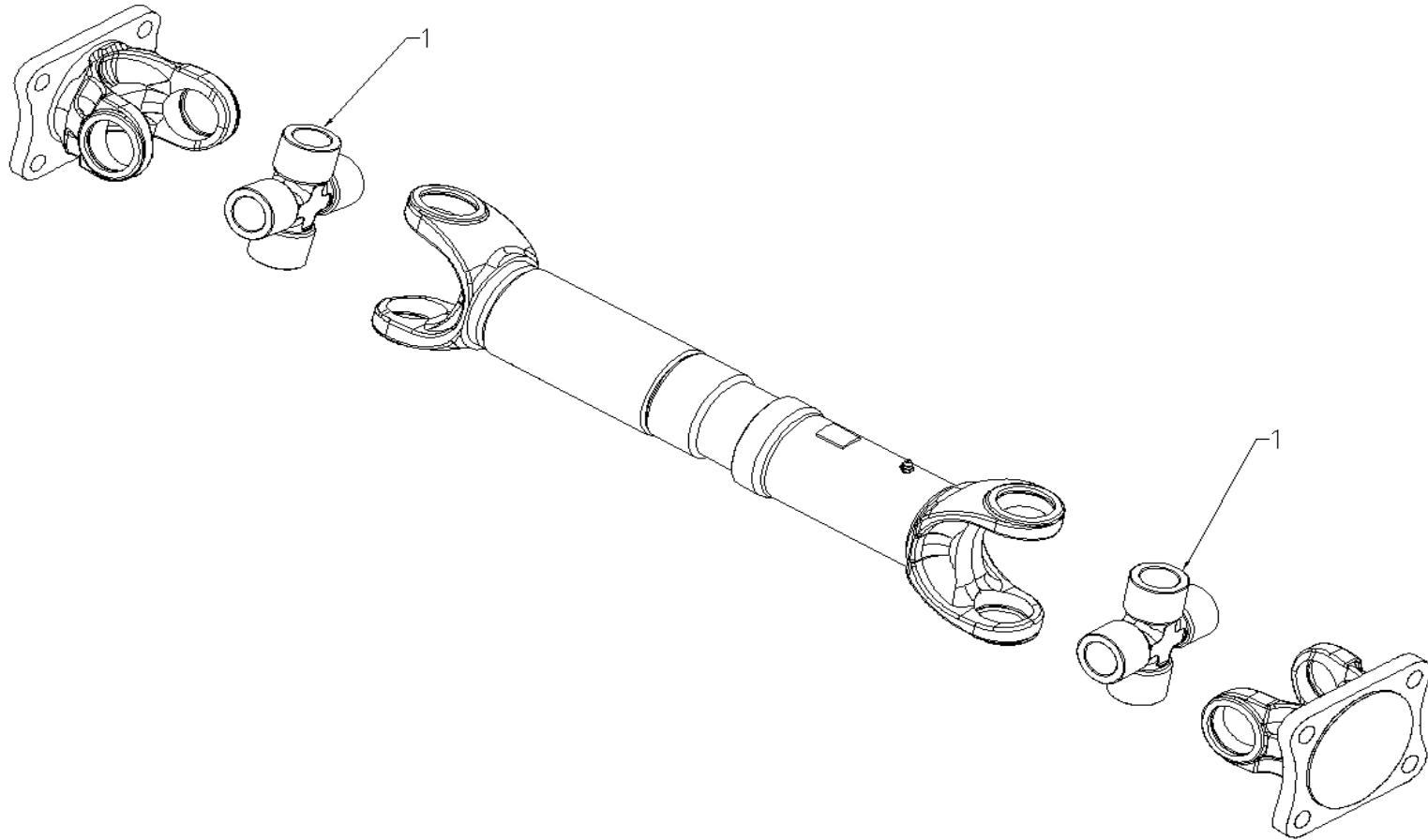


## 10-4 传动轴安装 DRIVE SHAFT INSTALLATION

| 序号 S/N | 件号 PART CODE    | 件名 PART NAME | 英文件名 PART NAME       | 规格 SPEC | 数量 QTY | 备注 REMARK |
|--------|-----------------|--------------|----------------------|---------|--------|-----------|
| 1      | 6139X04-2201010 | 传动轴总成        | Drive shaft assembly |         | 1      |           |

6139X04-2201010

传动轴 DRIVE SHAFT

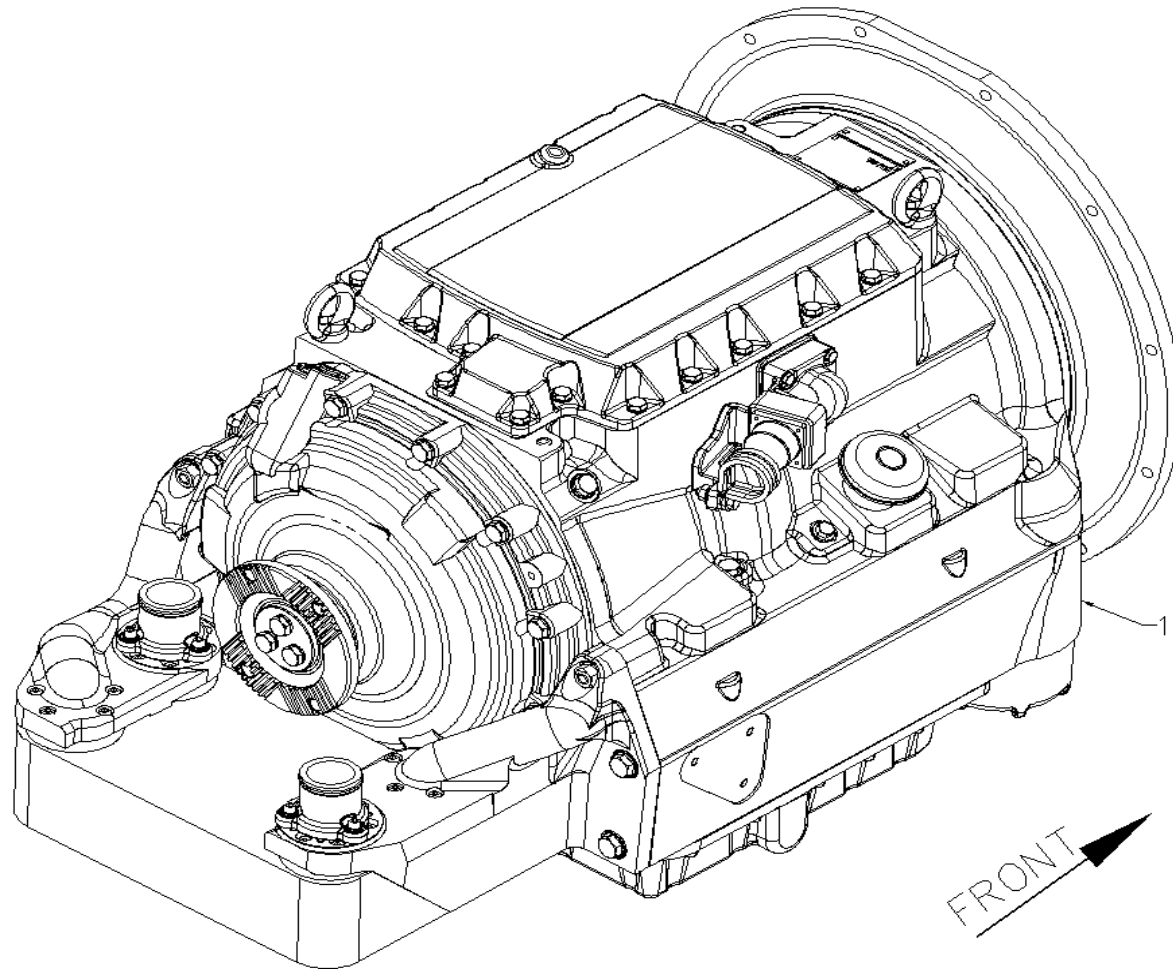


6139X04-2201010

传动轴 DRIVE SHAFT

| 序号 S/N | 件号 PART CODE | 件名 PART NAME | 英文件名 PART NAME             | 规格 SPEC | 数量 QTY | 备注 REMARK |
|--------|--------------|--------------|----------------------------|---------|--------|-----------|
| 1      | HWC962       | 万向节总成        | Universal knuckle assembly |         | 2      |           |

10-5 变速箱总成 GEARBOX ASSEMBLY

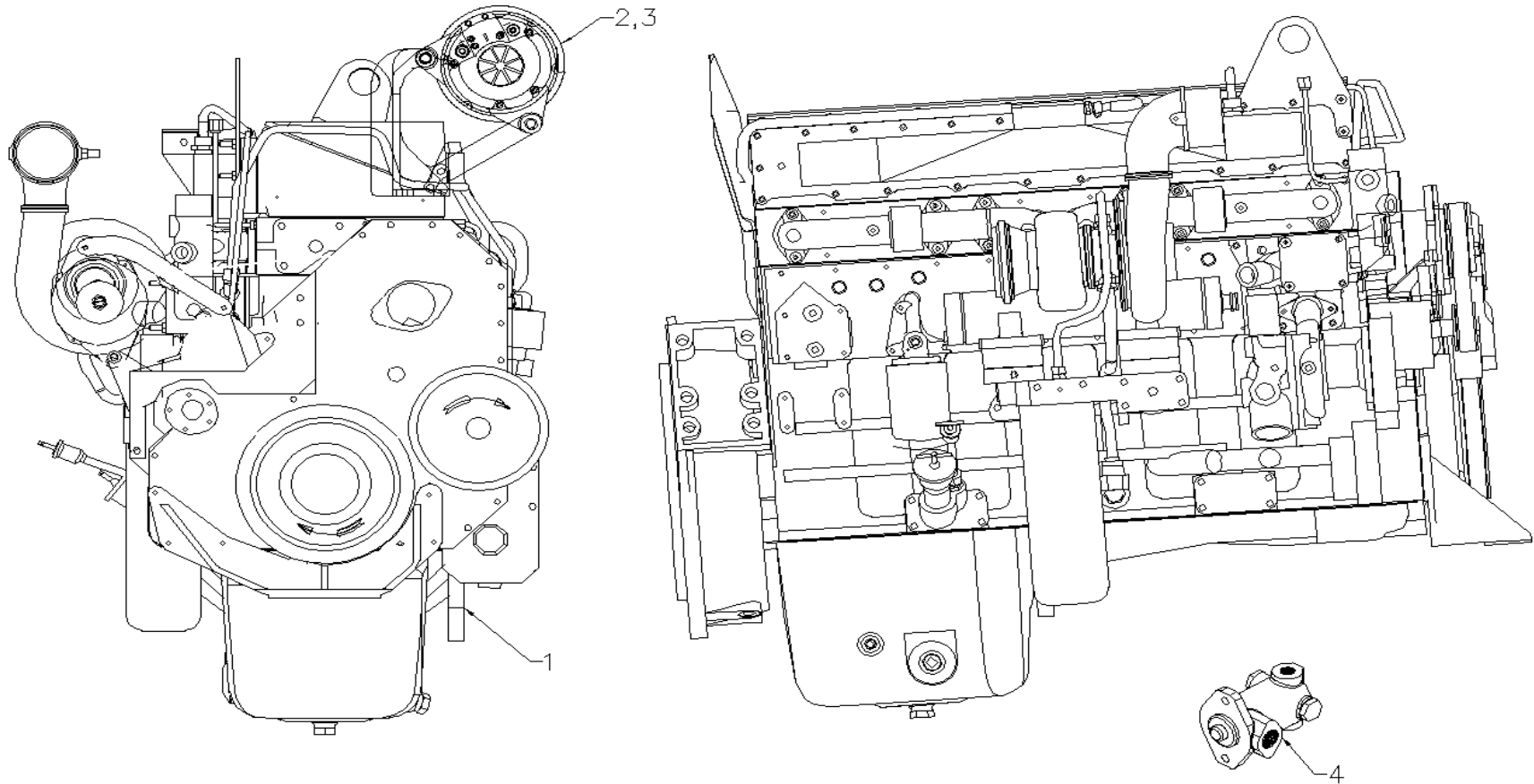


## 10-5 变速箱总成 GEARBOX ASSEMBLY

| 序号 S/N | 件号 PART CODE        | 件名 PART NAME | 英文件名 PART NAME   | 规格 SPEC | 数量 QTY | 备注 REMARK |
|--------|---------------------|--------------|------------------|---------|--------|-----------|
| 1      | T450R-GT20140915001 | 变速器总成        | Gearbox assembly |         | 1      |           |

10-6

发动机及周边件 ENGINE& AROUND PARTS

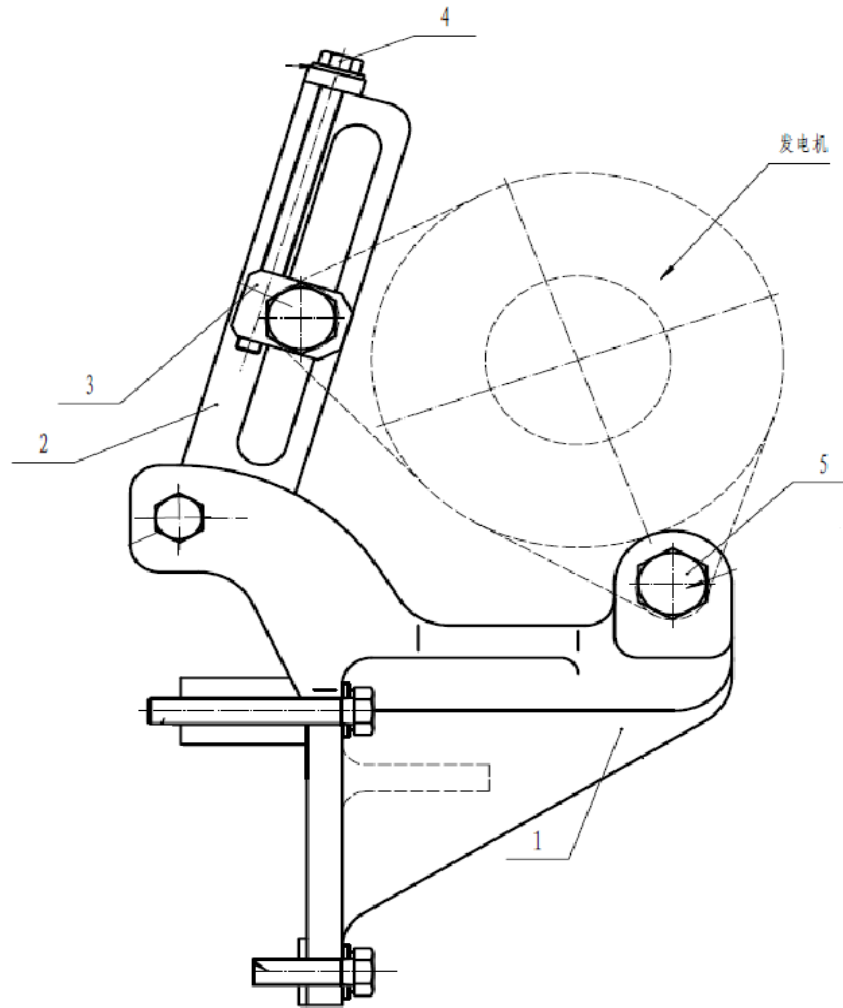


10-6

## 发动机及周边件 ENGINE&amp; AROUND PARTS

| 序号 S/N | 件号 PART CODE      | 件名 PART NAME | 英文件名 PART NAME         | 规格 SPEC | 数量 QTY | 备注 REMARK |
|--------|-------------------|--------------|------------------------|---------|--------|-----------|
| 1      | ISM11E5440-AA1GD1 | 发动机总成        | Engine assembly        |         | 1      |           |
| 2      | AC172RA374A       | 发电机          | Generator              |         | 1      |           |
| 3      | F339A             | 发电机附件组       | Accessories, generator |         | 1      |           |
| 4      | 34072237001       | 转向泵          | Steering pump          |         | 1      |           |

# F339A 发电机附件组 Accessories



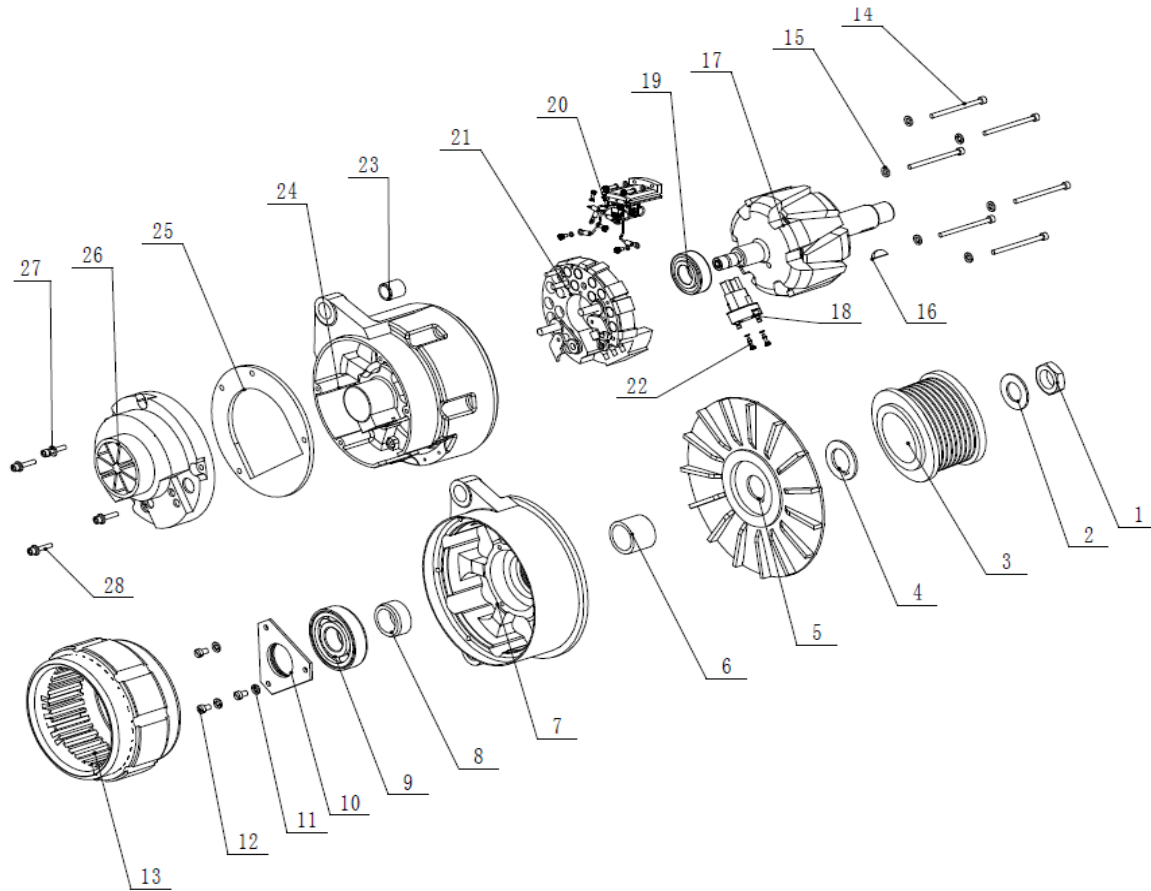


## F339A 发电机附件组 Accessories

| 序号 S/N | 件号 PART CODE    | 件名 PART NAME | 英文件名 PART NAME | 规格 SPEC | 数量 QTY | 备注 REMARK |
|--------|-----------------|--------------|----------------|---------|--------|-----------|
| 1      | F339A-01        | 支架           | Bracket        |         | 1      |           |
| 2      | F339A-02        | 拉板           | Pull plate     |         | 1      |           |
| 3      | F339A-03        | 滑块           | Slider         |         | 1      |           |
| 4      | QM10-110        | 螺栓           | Bolt           |         | 1      |           |
| 5      | AC172RA321B-F05 | 螺栓           | Bolt           |         | 1      |           |

AC172RA374A

发电机 GENERATOR



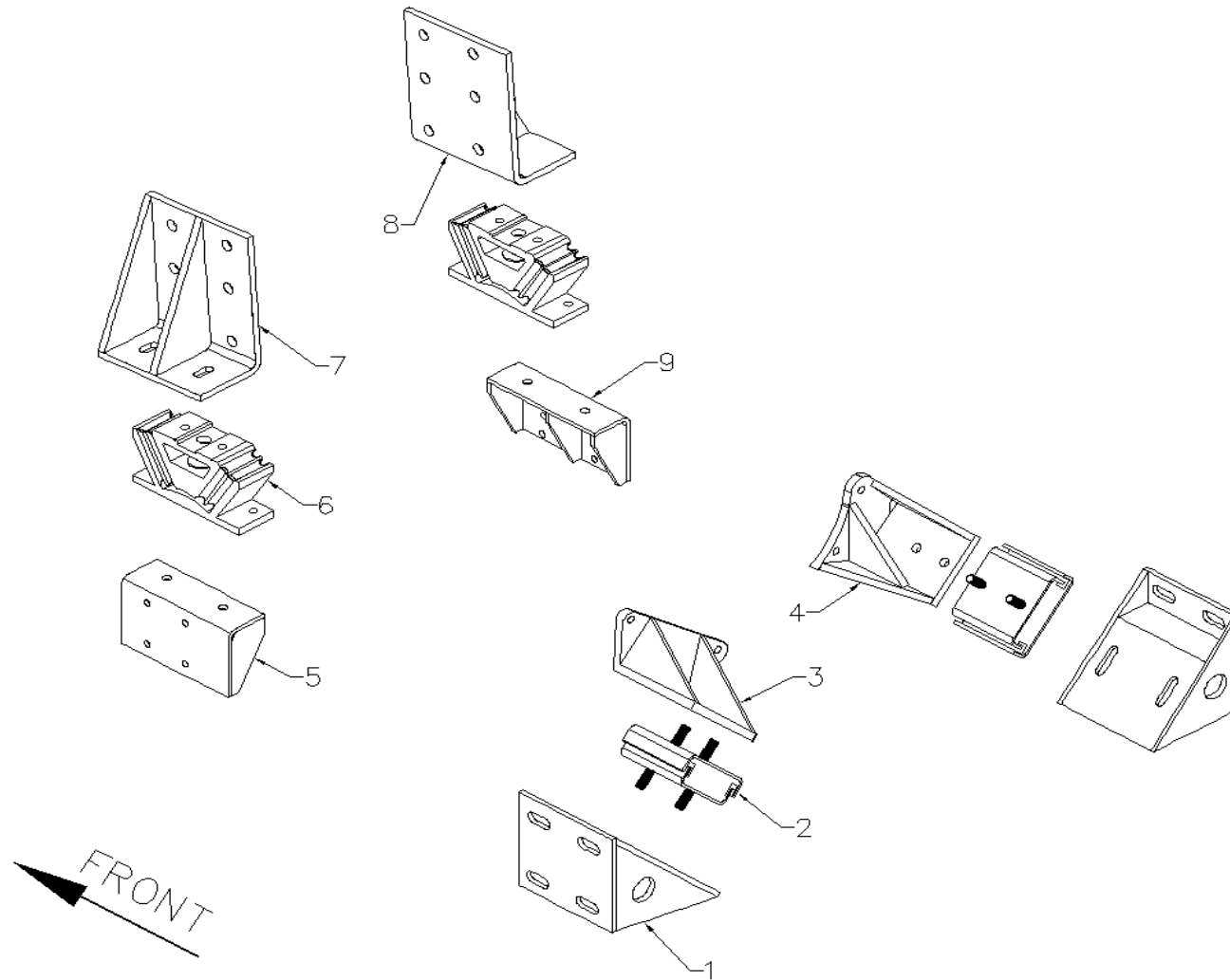
## AC172RA374A

## 发电机 GENERATOR

| 序号 S/N | 件号 PART CODE         | 件名 PART NAME | 英文件名 PART NAME              | 规格 SPEC | 数量 QTY | 备注 REMARK |
|--------|----------------------|--------------|-----------------------------|---------|--------|-----------|
| 1      | 5330-501             | 六角薄螺母        | Hexagonal nut               |         | 1      |           |
| 2      | 6270-487             | 锥形垫圈         | Conical washer              |         | 1      |           |
| 3      | AC172R374A-0001      | 皮带轮          | Belt pulley                 |         | 1      |           |
| 4      | G6360-134            | 垫圈           | Washer                      |         | 1      |           |
| 5      | 6360-254-FR          | 风扇           | Fan                         |         | 1      |           |
| 6      | 6360-80              | 定位套          | Positioning jacket          |         | 1      |           |
| 7      | 6360-411/B           | 前端盖组件        | Front end cover subassembly |         | 1      |           |
| 8      | 6360-9               | 定位套          | Positioning jacket          |         | 1      |           |
| 9      | NSK6306DDU2C3E/MANH6 | 前轴承          | Front bearing               |         | 1      |           |
| 10     | 6360-29              | 轴承盖          | Bearing cover               |         | 1      |           |
| 11     | 5293-57              | 弹垫           | Spring washer               |         | 3      |           |
| 12     | NS212-9Z1            | 螺栓           | Bolt                        |         | 3      |           |
| 13     | 6332-A1488A          | 定子总成         | Stator assembly             |         | 1      |           |
| 14     | 5335-970L            | 内六角圆柱螺钉      | Screw, hex. socket head     |         | 6      |           |
| 15     | 5224-22              | 弹垫           | Spring washer               |         | 6      |           |
| 16     | NK1-9                | 半圆键          | Woodruff key                |         | 1      |           |
| 17     | 8SC3141VC00D-2000    | 转子总成         | Rotator assembly            |         | 1      |           |
| 18     | 6360-380A            | 电刷组件         | Brush subassembly           |         | 1      |           |
| 19     | NSK6205DDUC3E/MANH6  | 后轴承          | Rear bearing                |         | 1      |           |
| 20     | 605-1C               | 调节器 605-1C   | Regulator 605-1C            |         | 1      |           |
| 21     | 6360-418             | 整流组件         | Rectification assembly      |         | 1      |           |
| 22     | Y5335-982C           | 内六角圆柱头螺钉     | Screw, hex. socket head     |         | 2      |           |
| 23     | Y6270-408            | 调整衬套         | Adjustment bushing          |         | 1      |           |
| 24     | 6360-413/B           | 后端盖组件        | End cover assembly, rear    |         | 1      |           |
| 25     | 6360-432             | 补垫           | Fill pad                    |         | 1      |           |
| 26     | 6360-433             | 护罩           | Protective shield           |         | 1      |           |
| 27     | 5293-57              | 弹簧垫圈         | Spring washer               |         | 4      |           |
| 28     | 5335-963E            | 内六角圆柱头螺栓     | Bolt, hex. socket head      |         | 4      |           |

10-6-1

发动机悬置 ENGINE MOUNTING SYSTEM



## 10-6-1 发动机悬置 ENGINE MOUNTING SYSTEM

| 序号 S/N | 件号 PART CODE    | 件名 PART NAME | 英文件名 PART NAME                             | 规格 SPEC | 数量 QTY | 备注 REMARK |
|--------|-----------------|--------------|--|---------|--------|-----------|
| 1      | 6139X04-1001050 | 发动机前悬置下支架    | Lower bracket, front mounting, engine      |         | 2      |           |
| 2      | 10J-01020-3     | 软垫           | Cushion                                    |         | 2      |           |
| 3      | 6125X02-1001030 | 前悬置支架左       | Left bracket assembly, front mounting      |         | 1      |           |
| 4      | 6139X04-1001060 | 发动机前悬置右支架    | Right bracket, front mounting, engine      |         | 1      |           |
| 5      | 6139X04-1001030 | 发动机后悬置左下支架   | Left lower right, rear mounting, engine    |         | 1      |           |
| 6      | 10T74-01060     | 发动机软垫        | Rear mounting cushion                      |         | 2      |           |
| 7      | 6139X04-1001010 | 发动机后悬置左支架    | Left bracket, front mounting, engine       |         | 1      |           |
| 8      | 6139X04-1001020 | 发动机后悬置右支架    | Right bracket, rear mounting, engine       |         | 1      |           |
| 9      | 6139X04-1001040 | 发动机后悬置右下支架   | Right lower bracket, rear mounting, engine |         | 1      |           |

# 10-8 集中润滑系统 CHASSIS LUBRICATION SYSTEM



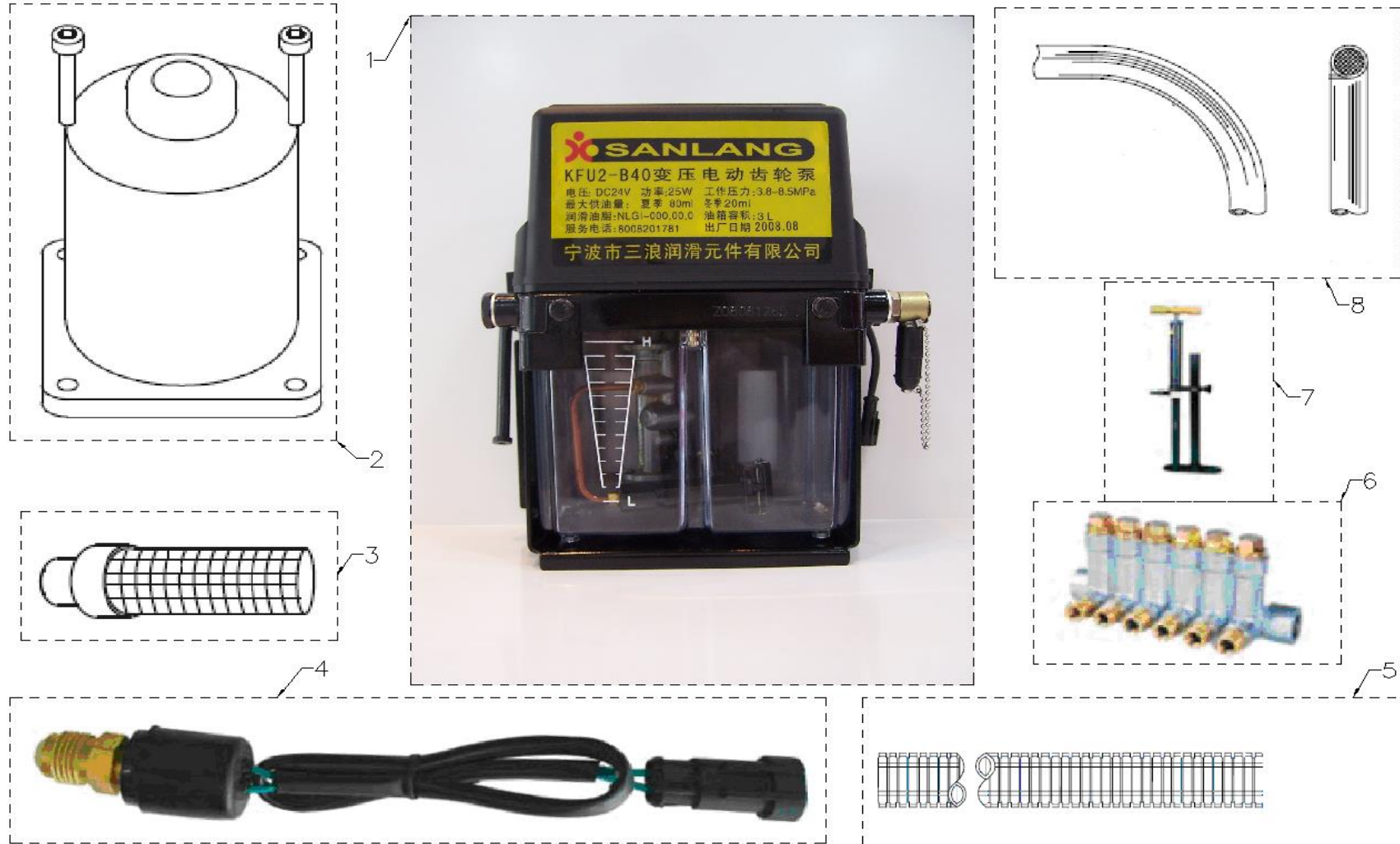
10-8

## 集中润滑系统 CHASSIS LUBRICATION SYSTEM

| 序号 S/N | 件号 PART CODE | 件名 PART NAME | 英文件名 PART NAME             | 规格 SPEC | 数量 QTY | 备注 REMARK |
|--------|--------------|--------------|----------------------------|---------|--------|-----------|
| 1      | KFD-A        | 集中润滑装置       | Contral lubrication device |         | 1      |           |

KFD-A

# 集中润滑装置 CONTRAL LUBRICATION DEVICE





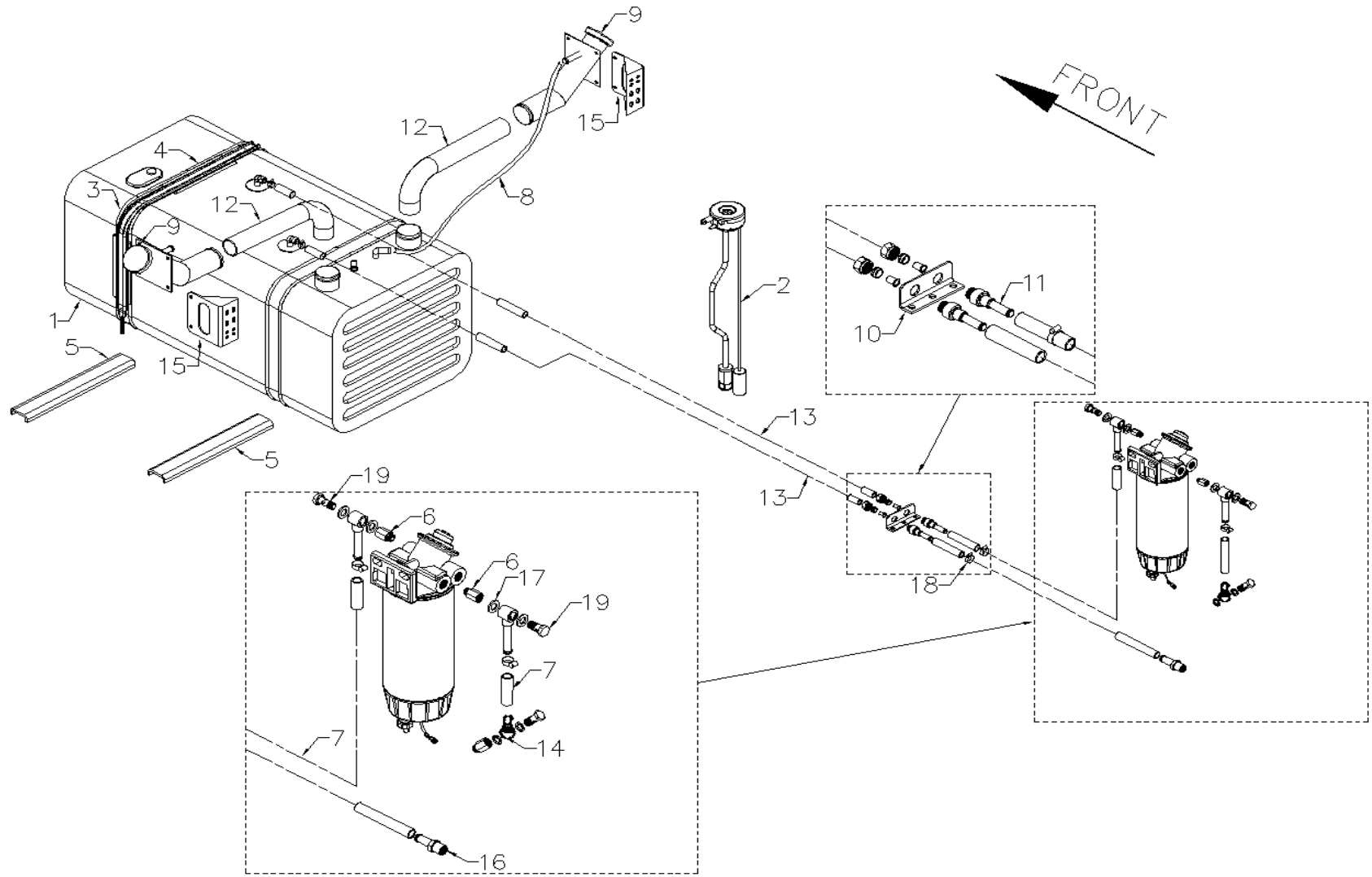
## KFD-A 集中润滑装置 CONTRAL LUBRICATION DEVICE

| 序号 S/N | 件号 PART CODE             | 件名 PART NAME | 英文件名 PART NAME  | 规格 SPEC | 数量 QTY | 备注 REMARK                |
|--------|--------------------------|--------------|-----------------|---------|--------|--------------------------|
| 1      | KFD-A ( Electrical Pump) | 电动泵          | Electrical Pump |         | 1      | 24V ( 英文 ) 24V (English) |
| 2      | KFD-A (Motor)            | 电机           | Motor           |         | 1      |                          |
| 3      | KFU2-40-05-03            | 过滤网          | Filter          |         | 1      |                          |
| 4      | EY35-3                   | 压力传感器        | Pressure Sensor |         | 1      |                          |
| 5      | BWG13                    | 波纹管          | Corrugated Pipe |         | 15     |                          |
| 6      | ZXQ6                     | 分配器          | Distributor     |         | 2      | 不连接 No Connection        |
| 7      | SJP250-1                 | 加油枪          | Refuelling Gun  |         | 1      |                          |
| 8      | NL10                     | 尼龙管          | Nylon Pipe      |         | 15     | 不加工 Without Machining    |

## 11 供给系统 FUEL SYSTEM

# 供给系统 FUEL SYSTEM

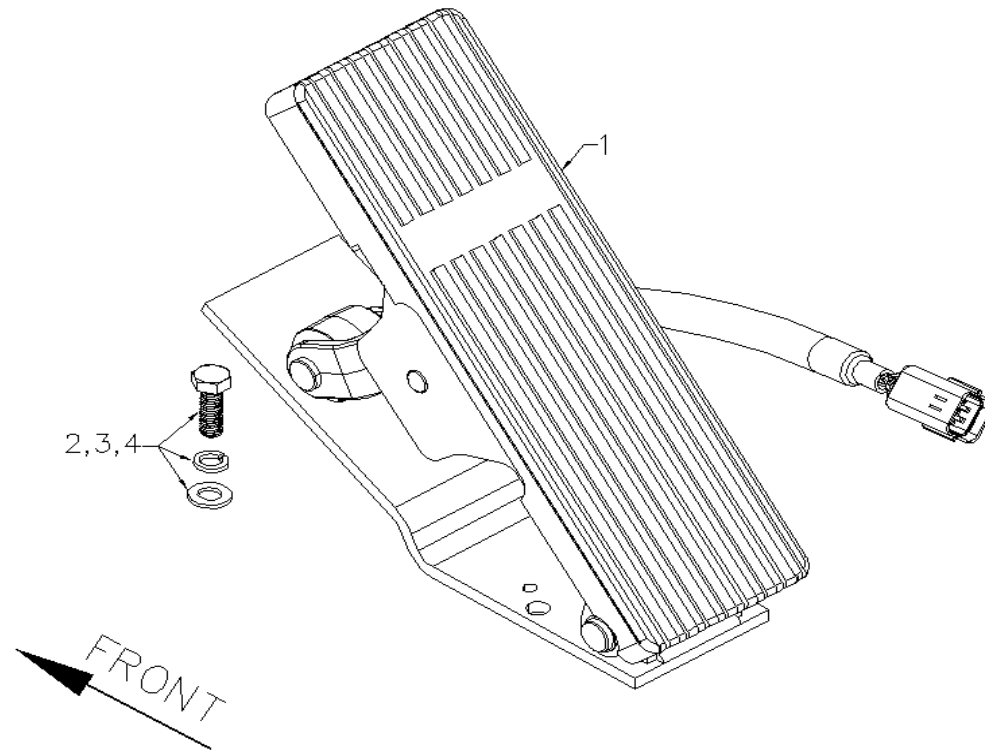
# 11-1 燃油供给管路 FUEL SUPPLY PIPELINE



## 11-1 燃油供给管路 FUEL SUPPLY PIPELINE

| 序号 S/N | 件号 PART CODE    | 件名 PART NAME   | 英文件名 PART NAME                                   | 规格 SPEC | 数量 QTY | 备注 REMARK |
|--------|-----------------|----------------|--|---------|--------|-----------|
| 1      | 6139X03-1101100 | 燃油箱总成          | Fuel tank assy.                                  |         | 1      |           |
| 2      | 6139X03-1101300 | 传感器总成          | Sensor   |         | 1      |           |
| 3      | 6123G01-1101040 | 油箱安装箍带组合       | Mounting band assy., fuel tank                   |         | 2      |           |
| 4      | 6891-1100001    | 箍带减震垫带         | Damping strip, band                              |         | 2      |           |
| 5      | 6891-1100002    | 油箱减震垫带         | Damping strip, fuel tank                         |         | 4      |           |
| 6      | 6127A08-1105003 | 铰接头体           | Hinge connector                                  |         | 2      |           |
| 7      | FYNYJG14X4      | 负压耐油胶管 14×4    | Rubber tube, oil-resist,<br>pressure resist 14*4 |         | 4      |           |
| 8      | FYNYJG19X4      | 胶管             | Rubber tube                                      |         | 1      |           |
| 9      | 6139X03-1103933 | 加油口总成          | Oil inlet assy.                                  |         | 6      |           |
| 10     | 6122A36-1104023 | 燃油过壁板          | Through wall panel                               |         | 1      |           |
| 11     | 6122A36-1104005 | 燃油过壁直通管接头      | Straight pipe connector, wall-<br>through, fuel  |         | 1      |           |
| 12     | 6139X03-1103033 | 加油管            | Oil inlet pipe                                   |         | 1      |           |
| 13     | PaG16X2         | Pa11 管(黑色)16X2 | Pa11 tube (black) 16*2                           |         | 9      |           |
| 14     | 6145A40-1104012 | 进油口过渡接头        | Oil inlet joint                                  |         | 1      |           |
| 15     | 6139X03-1103031 | 加油口安装支架        | Bracket  |         | 1      |           |
| 16     | 6155X01-1104012 | 回油管过渡接头        | Oil outlet joint                                 |         | 2      |           |
| 17     | JB982-16        | 密封垫            | Sealing washer                                   |         | 4      |           |
| 18     | Q67525          | 卡箍             | Clamp  |         | 4      |           |
| 19     | Q818-M16X1.5    | 铰接螺栓           | Bolt   |         | 1      |           |

# 11-2 油门操纵机构 THROTTLE CONTROL MECHANISM



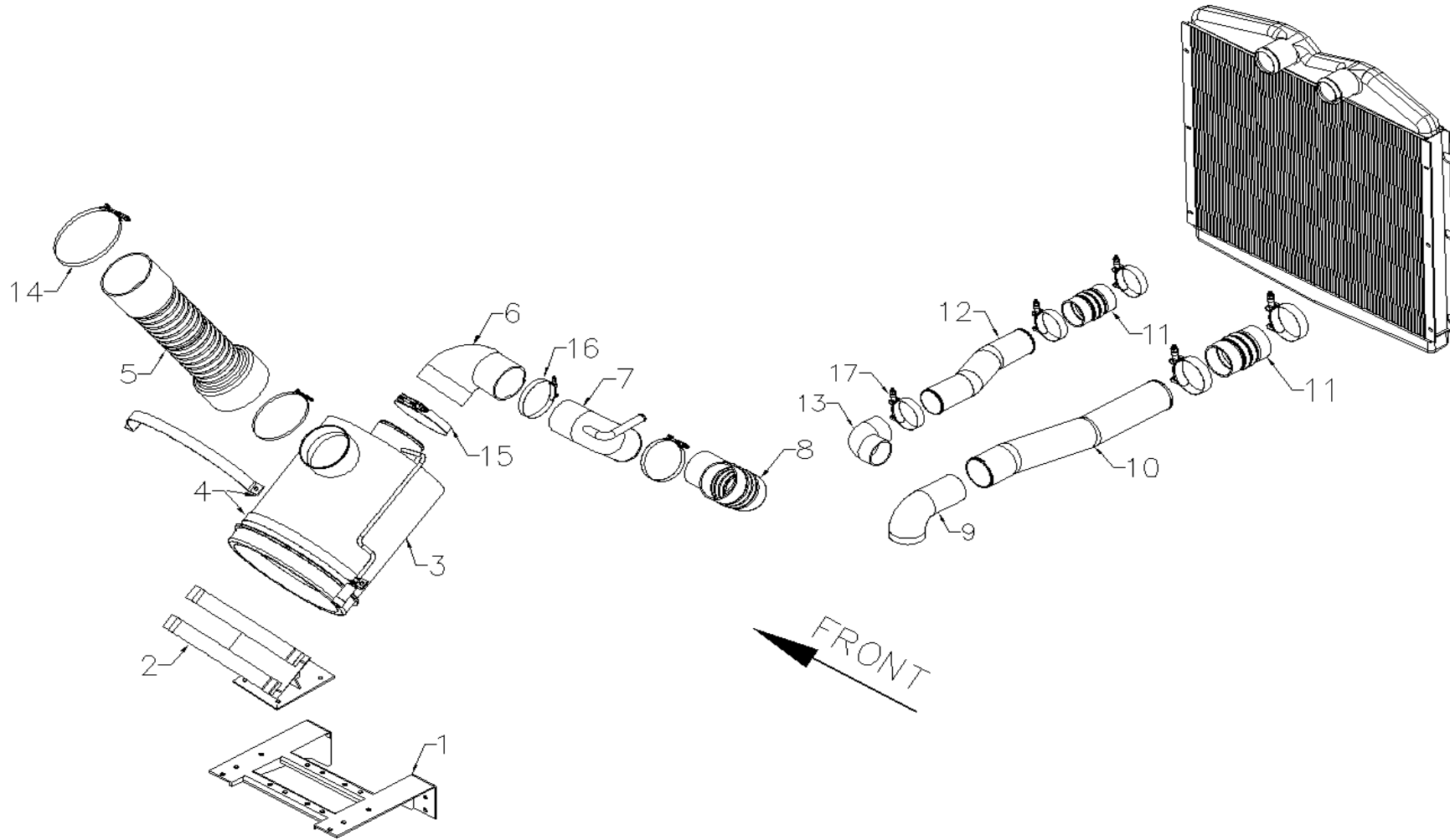
## 11-2 油门操纵机构 THROTTLE CONTROL MECHANISM

| 序号 S/N | 件号 PART CODE | 件名 PART NAME | 英文件名 PART NAME                | 规格 SPEC | 数量 QTY | 备注 REMARK |
|--------|--------------|--------------|-------------------------------|---------|--------|-----------|
| 1      | J-PS0837     | 电子油门踏板       | Accelerator pedal, electronic |         | 1      |           |
| 2      | Q150B0830    | 螺栓           | Bolt                          |         | 2      |           |
| 3      | Q40308       | 弹簧垫圈         | Spring washer                 |         | 2      |           |
| 4      | Q40108       | 平垫           | Plane washer                  |         | 2      |           |

**12 进气系统 AIR INTAKE SYSTEM**

**进气系统**  
**AIR INTAKE SYSTEM**

# 12-1 进气系统布置 AIR INTAKE SYSTEM



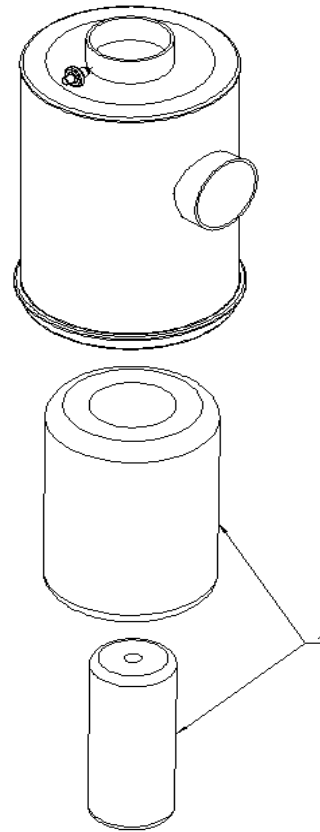


## 12-1 进气系统布置 AIR INTAKE SYSTEM

| 序号 S/N | 件号 PART CODE     | 件名 PART NAME | 英文件名 PART NAME                        | 规格 SPEC | 数量 QTY | 备注 REMARK |
|--------|------------------|--------------|---------------------------------------|---------|--------|-----------|
| 1      | 6145A40-1109230  | 空滤器底架        | Bottom frame, air filter              |         | 1      |           |
| 2      | 6125X02-1109220  | 空滤器固定支座      | Fixed bearing, air filter             |         | 1      |           |
| 3      | AH24201-HY       | 空滤器          | Air filter                            |         | 1      |           |
| 4      | 6145A01-1109061  | 空滤器抱箍        | Clamp, air filter                     |         | 2      |           |
| 5      | BWG-220-NR       | 波纹管          | Pipe assembly, air intake, air filter |         | 1      |           |
| 6      | GJGL-10214-15014 | 硅胶管          | Silicone tube                         |         | 1      |           |
| 7      | 6139X04-1109401  | 涡轮增压器进气钢管    | Pipe, steel, air intake               |         | 1      |           |
| 8      | GJG-1520-1814    | 硅胶管          | Silicone tube                         |         | 1      |           |
| 9      | 6145X05-1109355  | 硅胶管          | Silicone tube                         |         | 1      |           |
| 10     | 6139X04-1109601  | 进气钢管         | Pipe, steel, air intake               |         | 1      |           |
| 11     | GJG-102114-190   | 硅胶管          | Silicone tube                         |         | 2      |           |
| 12     | 6139X04-1109701  | 发动机进气钢管      | Pipe, steel, air intake               |         | 1      |           |
| 13     | 1109-012-J3JA    | 空滤器胶管        | Silicone tube                         |         | 1      |           |
| 14     | BWBG220          | T型抱箍         | T type clamp                          |         | 1      |           |
| 15     | TXBG190          | T型抱箍         | T type clamp                          |         | 1      |           |
| 16     | TXBG160          | T型抱箍         | T type clamp                          |         | 2      |           |
| 17     | TXBG125          | T型抱箍         | T type clamp                          |         | 4      |           |

AH24201-HY

空滤器总成 AIR FILTER



AH24201-HY

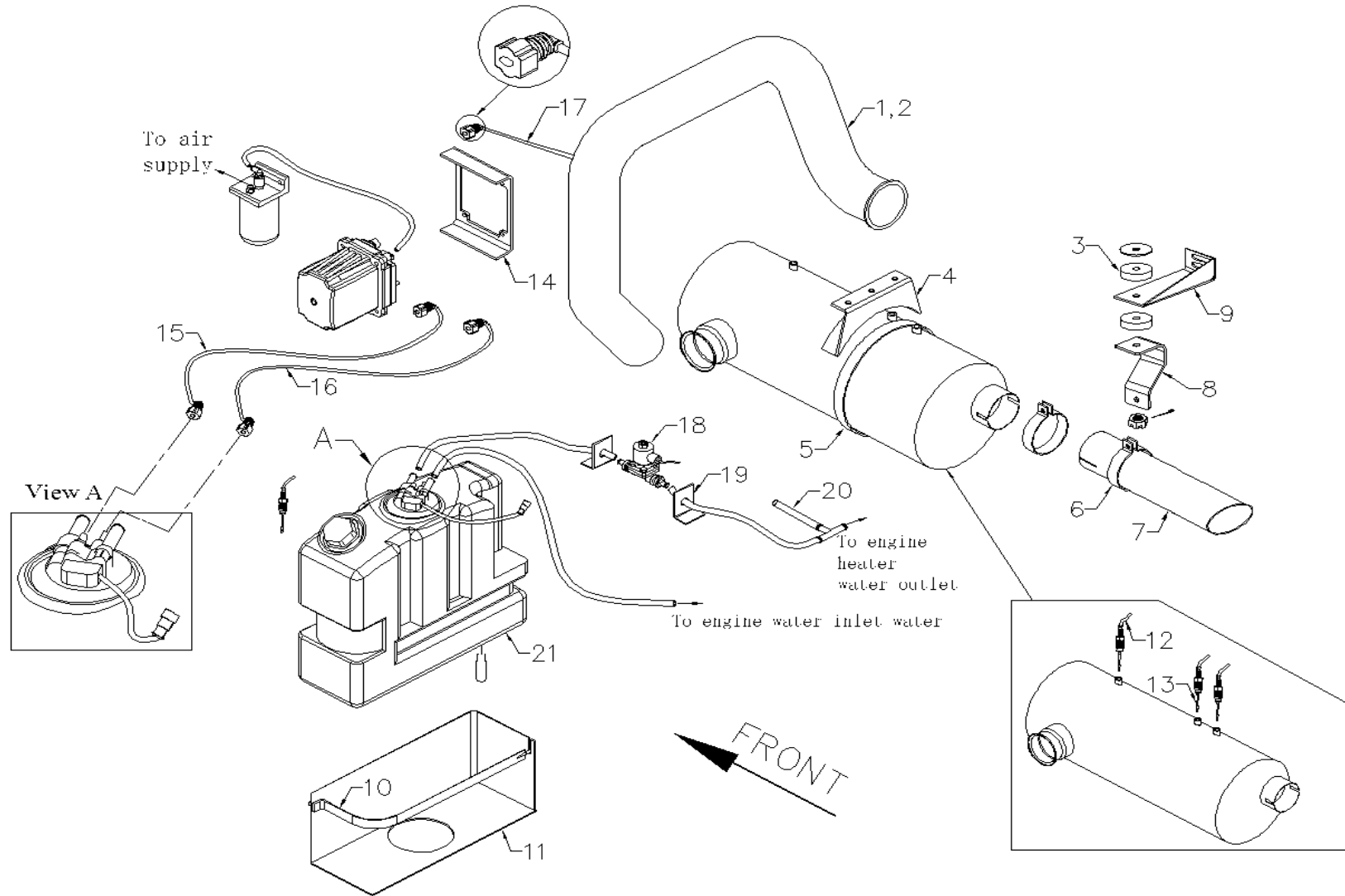
空滤器总成 AIR FILTER

| 序号 S/N | 件号 PART CODE | 件名 PART NAME | 英文件名 PART NAME | 规格 SPEC | 数量 QTY | 备注 REMARK |
|--------|--------------|--------------|----------------|---------|--------|-----------|
| 1      | YK3043UW     | 滤芯           | Filter element |         |        |           |

**13 排气系统 EXHAUST SYSTEM**

**排气系统  
EXHAUST SYSTEM**

# 13-1 排气系统布置 EXHAUST SYSTEM



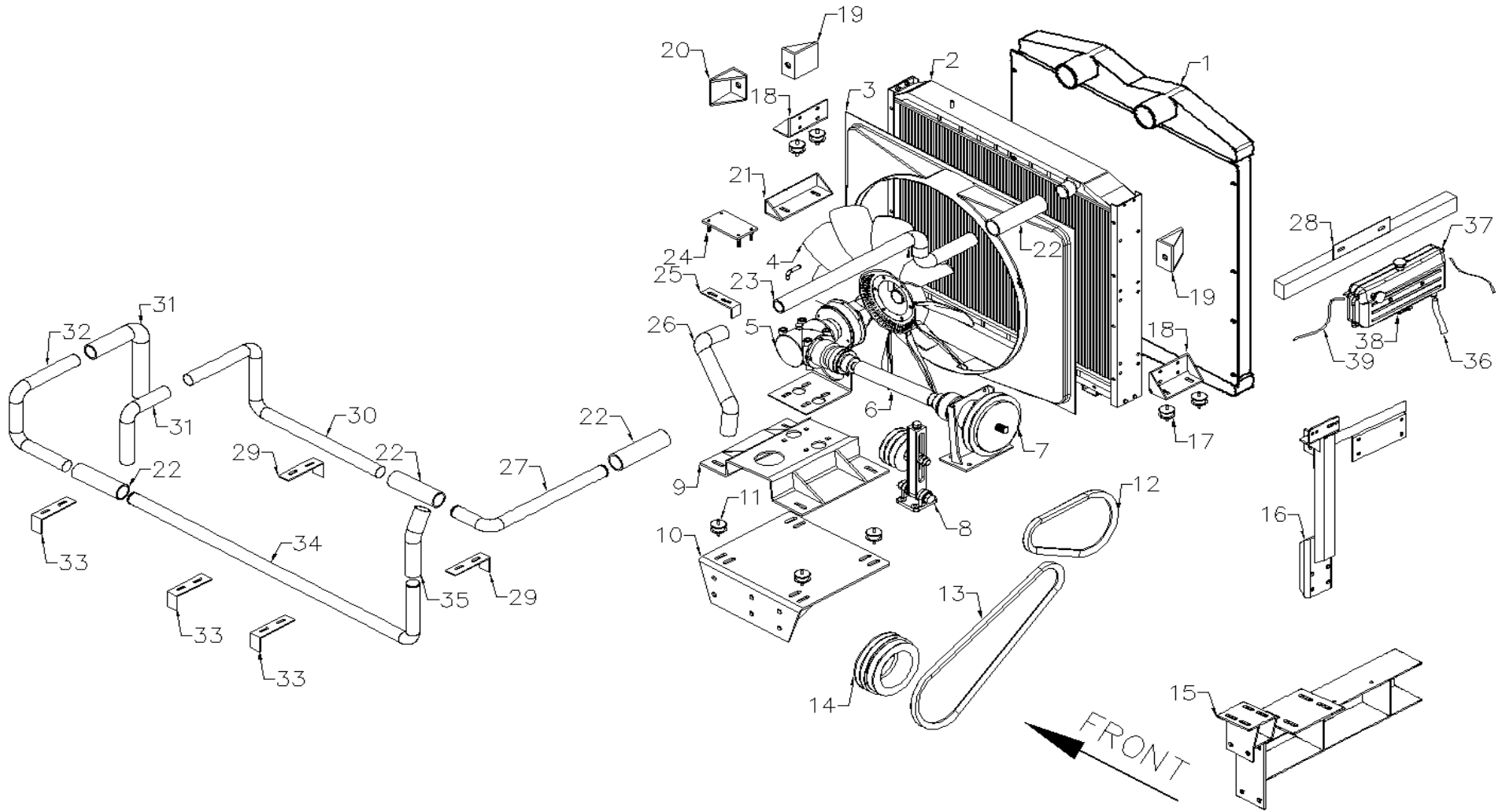
## 13-1 排气系统布置 EXHAUST SYSTEM

| 序号 S/N | 件号 PART CODE         | 件名 PART NAME | 英文件名 PART NAME                                 | 规格 SPEC | 数量 QTY | 备注 REMARK |
|--------|----------------------|--------------|--|---------|--------|-----------|
| 1      | 6145X08-1203010      | 排气管          | Exhaust pipe assembly                          |         | 1      |           |
| 2      | 6103K01-1203113      | 隔热棉          | Heat insulation                                |         | 1      |           |
| 3      | 6891A1-1200014       | 减震橡胶垫圈       | Cushion, rubber                                |         | 6      |           |
| 4      | 6125A66-1201120      | 排气处理器抱箍      | Hoop, exhaust processor                        |         | 2      |           |
| 5      | 6145A40-1201122      | 箍带           | Hoop   |         | 2      |           |
| 6      | 6128J07-1203016      | 排气尾管固定环      | Fixing ring, exhaust pipe                      |         | 2      |           |
| 7      | 6139X04-1209011      | 排气尾管         | Exhaust tail pipe                              |         | 1      |           |
| 8      | 6103A23-1209016      | 排气尾管吊环       | Hanging plate, exhaust pipe                    |         | 1      |           |
| 9      | 6105E16-1209020-DR77 | 排气尾管固定板      | Fixing plate, exhaust tail pipe                |         | 1      |           |
| 10     | 6908A43-1205151      | 尿素罐安装箍带      | Hoop, urea tank                                |         | 1      |           |
| 11     | 6908A43-1205153      | 尿素罐安装支架      | Urea tank mounting brackets                    |         | 1      |           |
| 12     | 226302DB0A           | 环境温度传感器      | Temperature sensor                             |         | 1      |           |
| 13     | 816021-01            | 尿素液位及温度传感器   | Inlet temperature sensor                       |         | 1      |           |
| 14     | 6125G02-1205111      | 尿素泵固定支架      | Mounting support, urea pump                    |         | 1      |           |
| 15     | NSG-9.49-9.49L-500-D | 尿素进液管总成（电加热） | Hose assembly, urea feeding                    |         | 1      |           |
| 16     | NSG-7.89-7.89L-500-D | 尿素回液管总成（电加热） | Hose assembly, urea return                     |         | 1      |           |
| 17     | ETFF/PA12-5          | 尿素喷射管总成      | Pipe assembly, urea injection                  |         | 1      |           |
| 18     | PS-L026-06           | 断水电磁阀        | Shutoff valve                                  |         | 1      |           |
| 19     | 6937A31-1205141      | 断水电磁阀固定支架    | Fixing bracket, solenoid valve, water shut-off |         | 1      |           |
| 20     | 6125V03-1205041      | 断水电磁阀三通阀     | 3-way valve,shutoff valve                      |         | 1      |           |
| 21     | 17350-LA300          | 尿素罐总成        | Urea tank                                      |         | 1      |           |

**14 冷却系统 COOLING SYSTEM**

**冷却系统  
COOLING SYSTEM**

# 14-1 冷却系统布置 COOLING SYSTEM





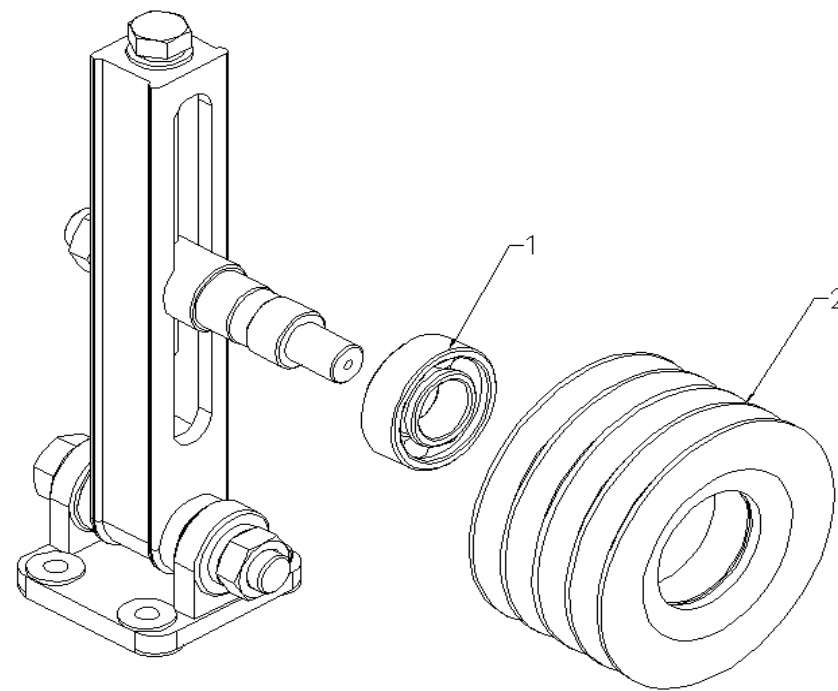
## 14-1 冷却系统布置 COOLING SYSTEM

| 序号 S/N | 件号 PART CODE         | 件名 PART NAME | 英文件名 PART NAME                              | 规格 SPEC | 数量 QTY | 备注 REMARK |
|--------|----------------------|--------------|---|---------|--------|-----------|
| 1      | 6146J01-1119010      | 中冷器总成        | Intercooler assembly                        |         | 1      |           |
| 2      | 6146J01-1301010      | 散热器总成        | Radiator assembly                           |         | 1      |           |
| 3      | 6139X04-1309010      | 护风圈总成        | Cowl kit                                    |         | 1      |           |
| 4      | F800-127-152.4-12    | 风扇总成         | Fan   |         | 1      |           |
| 5      | XD1308M-3-R          | 右置三速电磁离合角传动器 | Three-speed electromagnetic clutch actuator |         | 1      |           |
| 6      | XD1308MJ-020Q-525    | 球笼式连接轴       | Shaft                                       |         | 1      |           |
| 7      | XD1308M-150-230-B    | 缓冲中轮机构       | Mid-wheel mechanism                         |         | 1      |           |
| 8      | FZ6142GR-1308100     | 调节杆中间轮总成     | Adjusting lever intermediate wheel assembly |         | 1      |           |
| 9      | 6127X06-1318020      | 角传动底架合件      | Bracket                                     |         | 1      |           |
| 10     | 6139X04-1318030      | 角传动支架合件      | Bracket                                     |         | 1      |           |
| 11     | 1200-014-VK0         | 橡胶减振垫        | Cushion, rubber                             |         | 4      |           |
| 12     | RPF5370              | 皮带           | Belt  |         | 2      |           |
| 13     | RPF5655              | 皮带           | Belt  |         | 2      |           |
| 14     | 6155X01-1205010      | 曲轴皮带轮        | Crankshaft belt pulley                      |         | 1      |           |
| 15     | 6139X04-1302010      | 散热器外伸梁总成     | Extension beam assy., radiator              |         | 1      |           |
| 16     | 6139X04-1302030      | 散热器支架合件      | Bracket                                     |         | 1      |           |
| 17     | 13R16-02020          | 散热悬置软垫总成     | Mounting cushion assembly, radiator         |         | 6      |           |
| 18     | 6122J04-1302050-0307 | 散热器辅助支架 (2)  | Bracket                                     |         | 2      |           |
| 19     | 6127X06-1302046      | 散热器上支架       | Bracket                                     |         | 2      |           |
| 20     | 6139X04-1302042      | 散热器上支架       | Bracket                                     |         | 1      |           |
| 21     | 6139X04-1302043      | 散热器下支架       | Bracket                                     |         | 1      |           |
| 22     | 6102E25-1303011      | 橡胶水管         | Rubber hose                                 |         | 4      |           |
| 23     | 6139X04-1303012-DC3  | 发动机出水钢管      | Water outlet steel pipe, engine             |         | 1      |           |
| 24     | 6125V15-1109002BS-50 | 螺栓板          | Bolt plate                                  |         | 1      |           |
| 25     | 6139X04-1303019      | 水管固定支架       | Bracket                                     |         | 1      |           |
| 26     | 6126X01-1303021      | 水管接头         | Water pipe fitting                          |         | 1      |           |
| 27     | 6139X04-1303052      | 变速箱进水钢管一     | Water inlet steel pipe                      |         | 1      |           |
| 28     | 6125K01-1311020-BJ35 | 膨胀水箱安装板      | Mounting plate, expansion water tank        |         | 1      |           |

|    |                     |            |  |  |     |  |
|----|---------------------|------------|--|--|-----|--|
| 29 | 6125B04-1303019     | 水管固定支架     | Bracket  |  | 2   |  |
| 30 | 6139X04-1303054     | 变速箱进水钢管二   | Water inlet steel pipe                         |  | 1   |  |
| 31 | XML1303002G6F1      | 水箱进水口胶管    | Rubber tube, water inlet, water tank           |  | 2   |  |
| 32 | 6139X04-1303062     | 水泵进水钢管一    | Water inlet steel pipe                         |  | 1   |  |
| 33 | 6125S2-1303019      | 下水管固定支架    | Bracket  |  | 3   |  |
| 34 | 6139X04-1303064     | 水泵进水钢管二    | Water inlet steel pipe                         |  | 1   |  |
| 35 | 6155X01-1303013     | 水管接头       | Water pipe fitting                             |  | 1   |  |
| 36 | XML8101007N1C0      | 热水管        | Hot water pipe                                 |  | 1.3 |  |
| 37 | 6121J01-1311010-JSG | 膨胀水箱总成     | Expansion water tank assembly                  |  | 1   |  |
| 38 | 6122K01-3820810     | 水箱水位电子报警开关 | Electric alarm switch, water level, water tank |  | 1   |  |
| 39 | SYYB-08             | 透气胶管       | Vent pipe                                      |  | 2   |  |

FZ6142GR-1308100

调节杆中间轮 INTERMEDIATE PULLEY ASSY., ADJUSTING LEVER



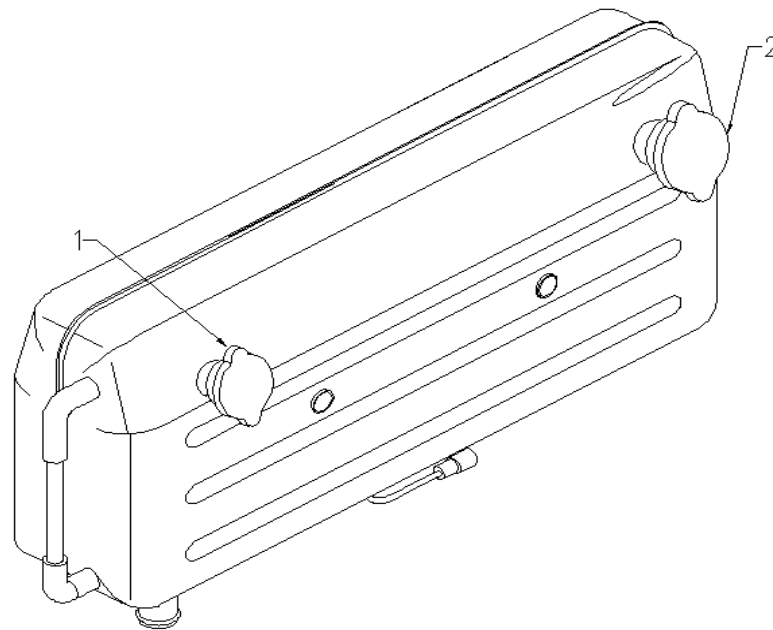
FZ6142GR-1308100

调节杆中间轮 INTERMEDIATE PULLEY ASSY., ADJUSTING LEVER

| 序号 S/N | 件号 PART CODE     | 件名 PART NAME | 英文件名 PART NAME | 规格 SPEC | 数量 QTY | 备注 REMARK |
|--------|------------------|--------------|----------------|---------|--------|-----------|
| 1      | 62206-2RS        | 调节杆中间轮轴承     | Bearing        |         | 1      |           |
| 2      | FZ6142GR-1308002 | 皮带轮          | Belt pulley    |         | 1      |           |

6121J01-1311010-JSG

膨脹水箱 EXPENSION WATER TANK



6121J01-1311010-JSG

膨胀水箱 EXPENSION WATER TANK

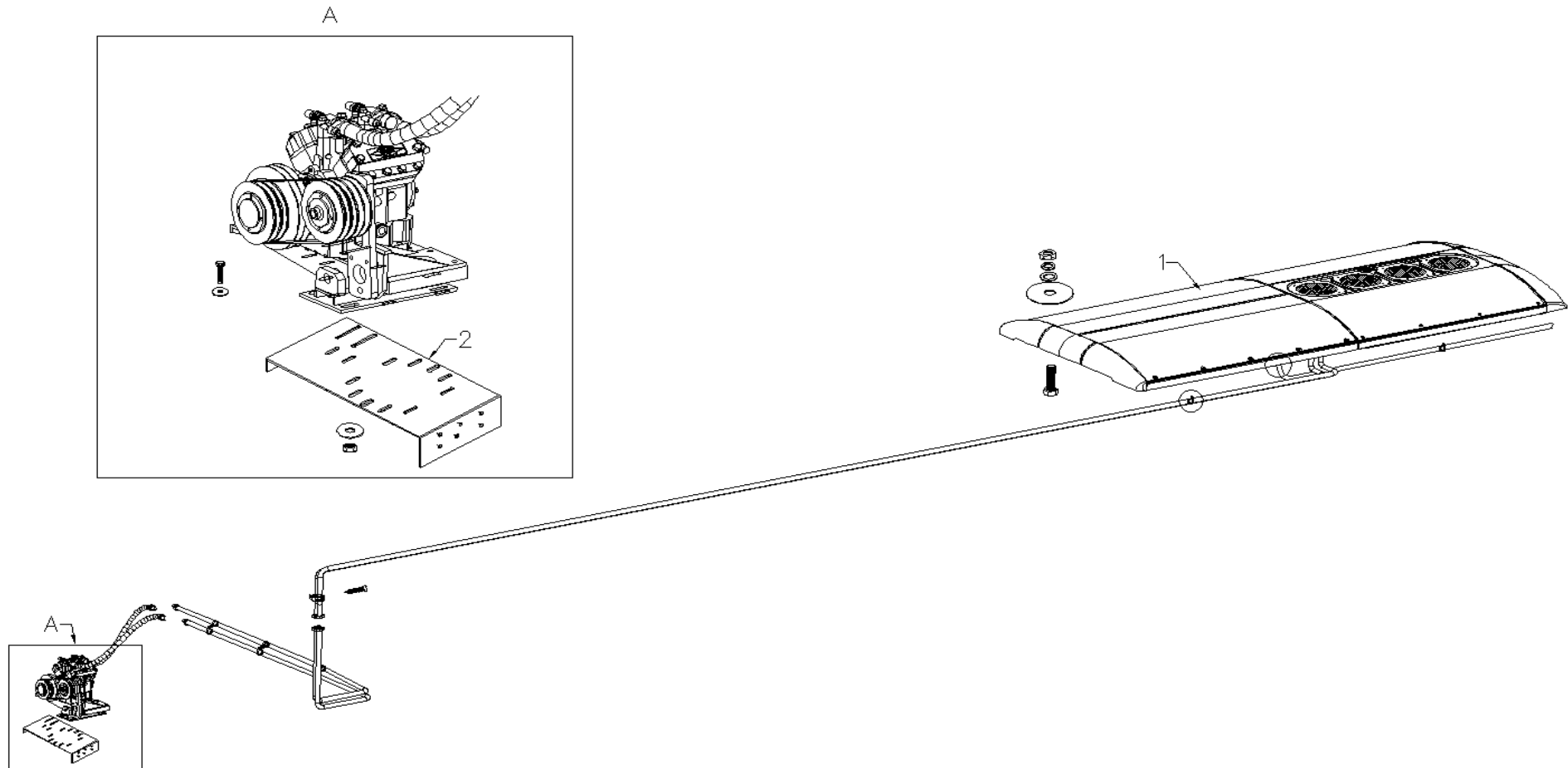
| 序号 S/N | 件号 PART CODE | 件名 PART NAME | 英文件名 PART NAME                  | 规格 SPEC | 数量 QTY | 备注 REMARK |
|--------|--------------|--------------|---------------------------------|---------|--------|-----------|
| 1      | SHM-01-1.0   | 膨胀水箱排气口盖     | Cover,water tank                |         | 1      |           |
| 2      | HFS-01-1.2   | 膨胀水箱加水口盖     | Cover, water filler, water tank |         | 1      |           |

**15 空调系统 AIR CONDITIONING SYSTEM**

**空调系统**  
**AIR CONDITIONING SYSTEM**

15-1

空调系统布置 AIR CONDITIONING SYSTEM





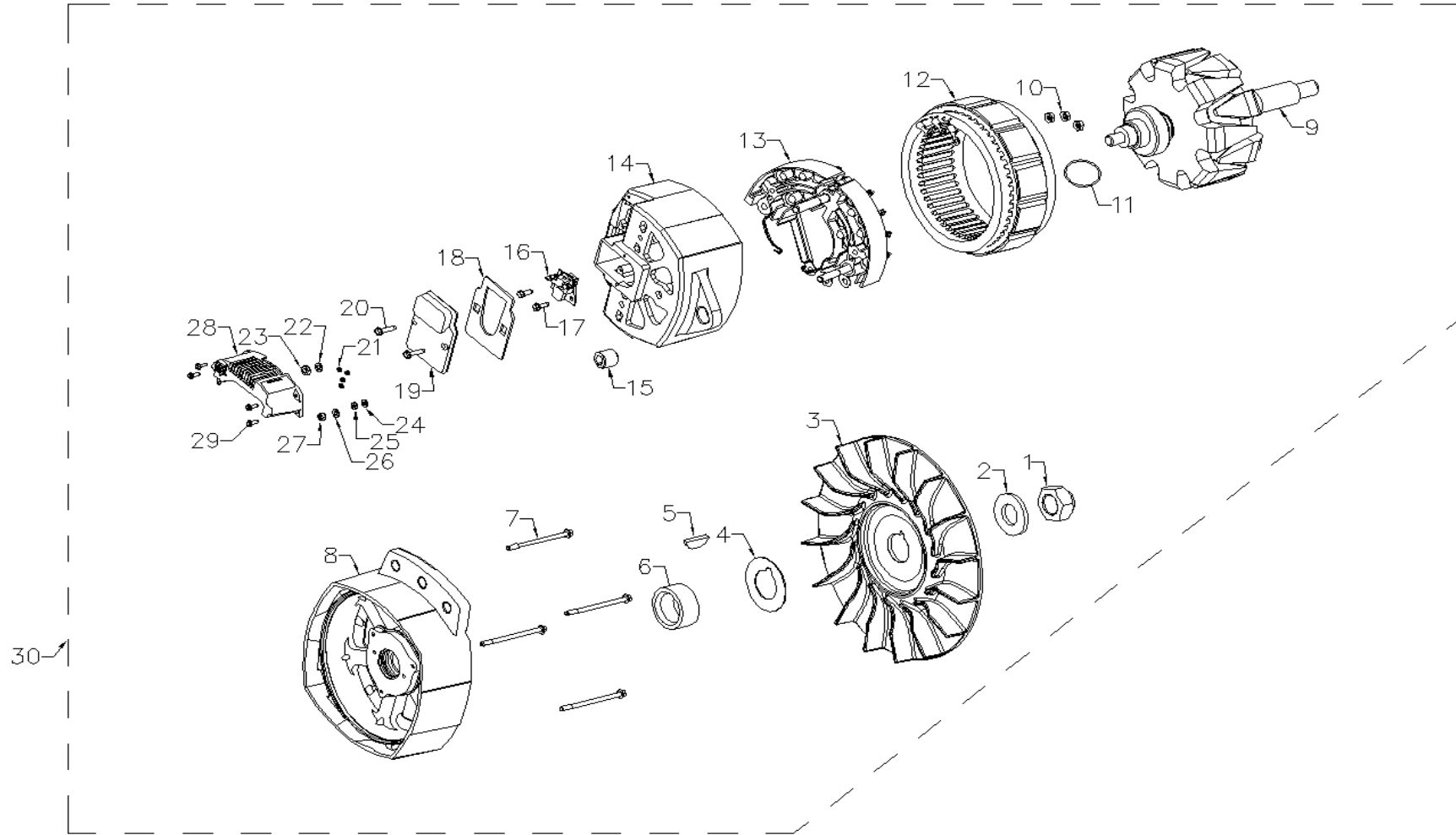
15-1

## 空调系统布置 AIR CONDITIONING SYSTEM

| 序号 S/N | 件号 PART CODE | 件名 PART NAME | 英文件名 PART NAME         | 规格 SPEC | 数量 QTY | 备注 REMARK |
|--------|--------------|--------------|------------------------|---------|--------|-----------|
| 1      | SZQ-VI-D     | 空调总成         | Air conditioning assy. |         | 1      |           |

8SC3110V

空调发电机 A/C GENERATOR



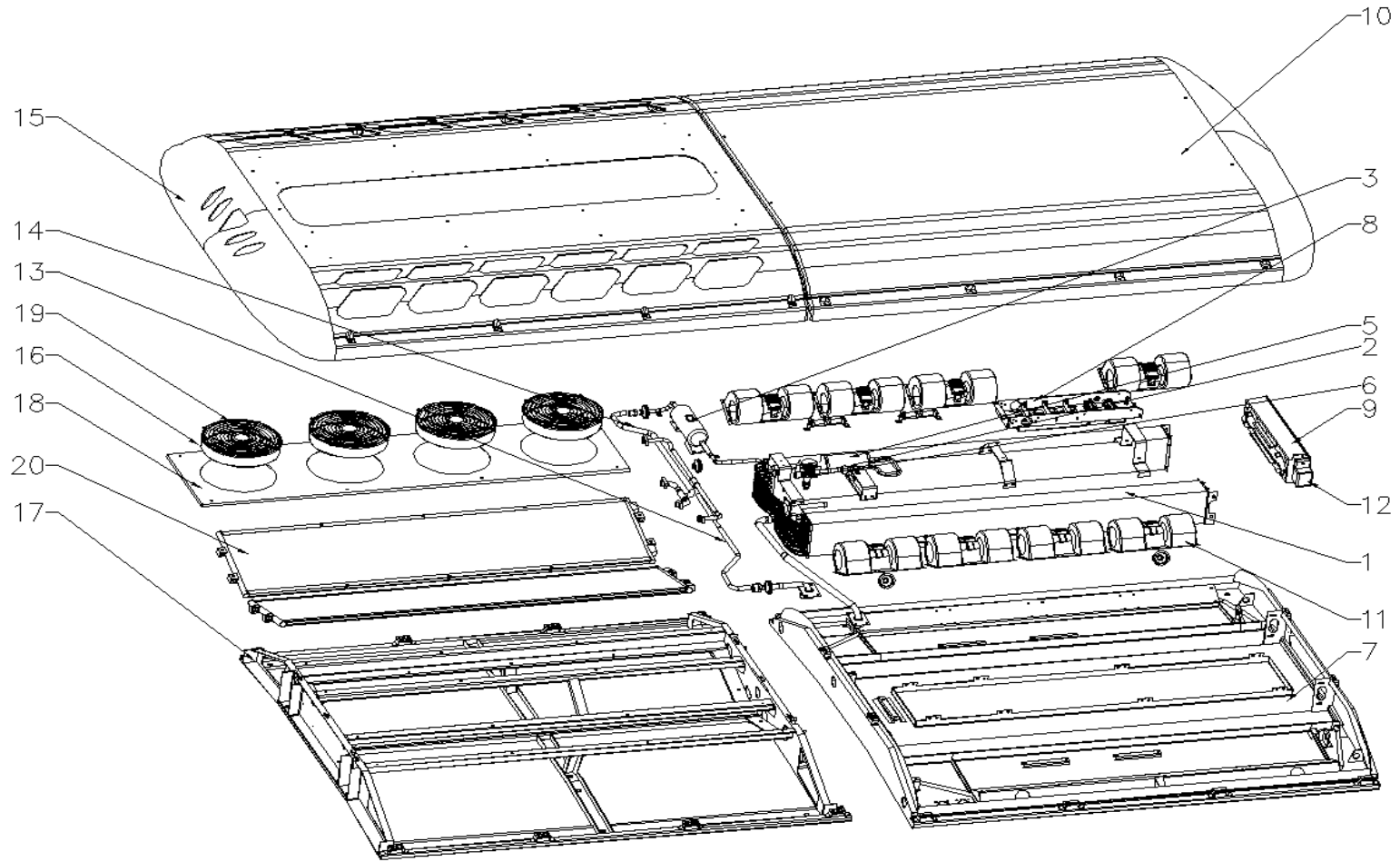
## 8SC3110V 空调发电机 A/C GENERATOR

| 序号 S/N | 件号 PART CODE     | 件名 PART NAME | 英文件名 PART NAME                       | 规格 SPEC | 数量 QTY | 备注 REMARK      |
|--------|------------------|--------------|--------------------------------------|---------|--------|----------------|
| 1      | 0244177A01       | 皮带轮螺母        | Nut, belt pulley                     |         | 1      | 不零售 Not retail |
| 2      | 0444178A01       | 皮带轮平垫圈       | Plane washer, belt pulley            |         | 1      | 不零售 Not retail |
| 3      | A041102365/B     | 风扇           | Fan                                  |         | 1      | 不零售 Not retail |
| 4      | 0444232A01       | 定位套垫圈        | Positioning jacket washer            |         | 1      | 不零售 Not retail |
| 5      | Z087006399       | 半圆键          | Woodruff key                         |         | 1      | 不零售 Not retail |
| 6      | 4344213A02       | 皮带轮定位套       | Belt pulley position sleeve          |         | 1      | 不零售 Not retail |
| 7      | 0370684A01       | 穿钉           | Through nail                         |         | 4      | 不零售 Not retail |
| 8      | A014102696/B     | 前端盖总成        | Front end cap assembly               |         | 1      | 不零售 Not retail |
| 9      | 8SC3110VC F-2000 | 转子总成         | Rotor assembly<                      |         | 1      | 不零售 Not retail |
| 10     | 0243642S05       | 组合螺母         | Combination nut                      |         | 3      | 不零售 Not retail |
| 11     | 8SC3110VC-4001   | O形圈          | O-ring                               |         | 1      | 不零售 Not retail |
| 12     | 0180000N80A      | 定子总成         | Stator assembly                      |         | 1      | 不零售 Not retail |
| 13     | 8SC3110VC-4200   | 整流组件         | Rectification assembly               |         | 1      | 不零售 Not retail |
| 14     | 8SC3110VC-4100C  | 后端盖          | Rear end cap                         |         | 1      | 不零售 Not retail |
| 15     | 4344371C81       | 调整套          | Adjusting sleeve                     |         | 1      | 不零售 Not retail |
| 16     | 3944677C01       | 电刷组件         | Brush subassembly                    |         | 1      | 不零售 Not retail |
| 17     | 0344209B02       | 螺钉           | Screw                                |         | 2      | 不零售 Not retail |
| 18     | 3944677C01       | 后端盖防护垫       | Rear end cover protective pad        |         | 1      | 不零售 Not retail |
| 19     | 1544681C01/B     | 后端盖          | Rear end cap                         |         | 1      | 不零售 Not retail |
| 20     | 0344209B08       | 螺钉           | Screw                                |         | 2      | 不零售 Not retail |
| 21     | 200136321        | 接线板小花螺母      | Small clamp nut, wiring board        |         | 4      | 不零售 Not retail |
| 22     | 400007654        | 正极接线柱弹垫      | Spring pad, positive pole terminal   |         | 1      | 不零售 Not retail |
| 23     | 200119552        | 正极接线柱螺母      | Nut, positive pole terminal          |         | 1      | 不零售 Not retail |
| 24     | 400135614        | 平垫圈          | Plane washer                         |         | 1      | 不零售 Not retail |
| 25     | 0243642S05       | 组合螺母         | Combination nut                      |         | 1      | 不零售 Not retail |
| 26     | 400001725        | 负极接线柱平垫圈     | Plane washer, negative pole terminal |         | 1      | 不零售 Not retail |
| 27     | 0243642S07       | 组合螺母         | Combination nut                      |         | 1      | 不零售 Not retail |
| 28     | 8RL3023C         | 8RL3023C 调节器 | 8RL3023 Regulator                    |         | 1      |                |
| 29     | 0344209B15       | 螺钉           | Screw                                |         | 4      | 不零售 Not retail |
| 30     | 8SC3110V         | 空调发电机        | Generator, air conditioner           |         | 1      |                |



SZQ-VI-D

松芝空调 AIR CONDITIONER



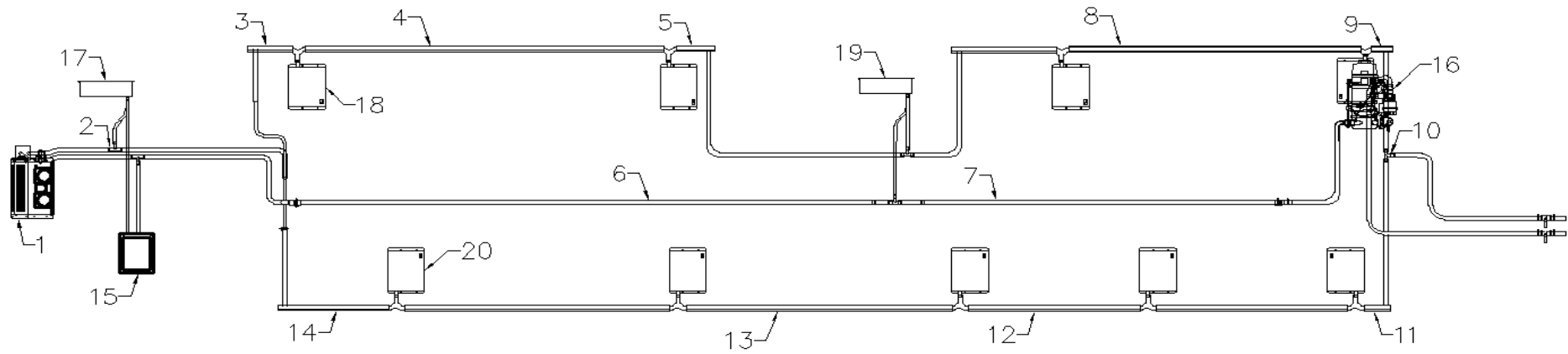
## SZQ-VI-D 松芝空调 AIR CONDITIONER

| 序号 S/N | 件号 PART CODE     | 件名 PART NAME     | 英文件名 PART NAME                      | 规格 SPEC | 数量 QTY | 备注 REMARK |
|--------|------------------|------------------|-------------------------------------|---------|--------|-----------|
| 1      | 03.14.B0QB303010 | 蒸发器芯体总成(右)       | Core assembly, evaporator           |         |        |           |
| 2      | 02.03.B0QA304011 | 视液镜组件            | Sight glass                         |         |        |           |
| 3      | 02.03.BEAA223001 | 储液器组件            | Fluid reservoir                     |         |        |           |
| 4      | 02.03.B004010005 | 排气管组件(清洗)        | Pipe component, air exhaust         |         |        |           |
| 5      | 02.04.B004017404 | 干燥器              | Dryer                               |         |        |           |
| 6      | 02.04.B004019456 | 膨胀阀              | Expansion valve                     |         |        |           |
| 7      | 03.02.B0QA907002 | 蒸发器壳体不变部分        | Outer housing component, evaporator |         |        |           |
| 8      | 03.15.B0RB905006 | 电控部分             | Electric control parts              |         |        |           |
| 9      | 00.BBXF000001    | 新风机构             | Fresh air mechanism                 |         |        |           |
| 10     | 02.07.B0QA301000 | 蒸发器顶盖            | Top cover, evaporator               |         |        |           |
| 11     | 03.16.F050000196 | 蒸发风机总成           | Evaporating fan                     |         |        |           |
| 12     | 03.11.B005134875 | 新风电机总成           | Fresh air motor                     |         |        |           |
| 13     | 03.18.B0QA407008 | 冷凝器进气管组件<br>(右置) | Pipe component, air intake(right)   |         |        |           |
| 14     | 03.18.B0QA407009 | 冷凝器出液管组件<br>(右置) | Drainage pipe component             |         |        |           |
| 15     | 02.07.B0QA401002 | 冷凝器顶盖            | Top cover, condenser                |         |        |           |
| 16     | 03.16.F050000103 | 冷凝风机总成           | Condensing fan                      |         |        |           |
| 17     | 03.17.B0QB409001 | 冷凝器底壳总成          | Condenser bottom shell assembly     |         |        |           |
| 18     | 03.17.B0QB402002 | 风机板组件            | Fan board assembly                  |         |        |           |
| 19     | 02.15.B9ZZ910037 | 风机网罩             | Fan cover                           |         |        |           |
| 20     | 03.14.B0QA403000 | 平行流冷凝器芯体         | Condenser core (right)              |         |        |           |

**16 暖风系统 HEATING SYSTEM**

**暖风系统  
HEATING SYSTEM**

## 16-1 暖风管路布置 HEATING PIPELINE



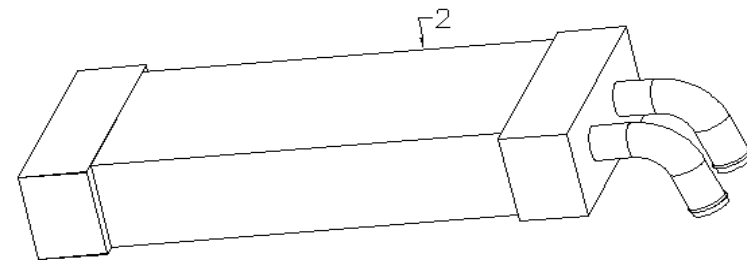
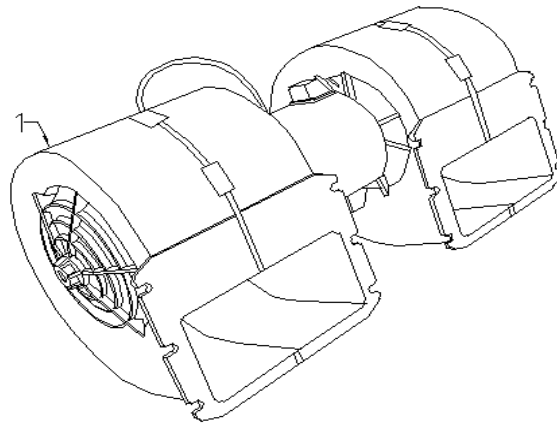


## 16-1 暖风管路布置 HEATING PIPELINE

| 序号 S/N | 件号 PART CODE    | 件名 PART NAME         | 英文件名 PART NAME  | 规格 SPEC | 数量 QTY | 备注 REMARK |
|--------|-----------------|----------------------|-----------------|---------|--------|-----------|
| 1      | CS-14H-30       | 380W 大功率除霜器<br>(双风口) | Defroster       |         | 1      |           |
| 2      | 6127A11-8123505 | 三通                   | Three-way       |         | 4      |           |
| 3      | 6127A01-8123622 | 暖风罩板                 | Heating cover   |         | 1      |           |
| 4      | 6127A01-8123728 | 暖风罩板                 | Heating cover   |         | 1      |           |
| 5      | 6127A01-8123624 | 暖风罩板                 | Heating cover   |         | 1      |           |
| 6      | 6126V03-8123501 | 接管                   | Connecting pipe |         | 1      |           |
| 7      | 6126V03-8123502 | 接管                   | Connecting pipe |         | 1      |           |
| 8      | 6127A01-8123729 | 暖风罩板                 | Heating cover   |         | 1      |           |
| 9      | 6127A01-8123726 | 暖风罩板                 | Heating cover   |         | 1      |           |
| 10     | XML8121296F1A0  | 铜三通                  | Three-way       |         | 1      |           |
| 11     | 6127A01-8123623 | 暖风罩板                 | Heating cover   |         | 2      |           |
| 12     | 6127A01-8123727 | 暖风罩板                 | Heating cover   |         | 2      |           |
| 13     | 6127A01-8123627 | 暖风罩板                 | Heating cover   |         | 2      |           |
| 14     | 6127A01-8123722 | 暖风罩板                 | Heating cover   |         | 3      |           |
| 15     | SR-15A          | 司机座椅下散热器             | Radiator        |         | 1      |           |
| 16     | T350            | 加热器总成                | Heater          |         | 1      |           |
| 17     | SR-25B          | 散热器                  | Radiator        |         | 1      |           |
| 18     | SR-4AL/13       | 散热器 (左)              | Radiator        |         | 4      |           |
| 19     | SR-25A          | 踏步散热器                | Radiator        |         | 1      |           |
| 20     | SR-4AR/15       | 散热器 (右)              | Radiator        |         | 5      |           |

CS-14H-30

除霜器 DEFROSTER



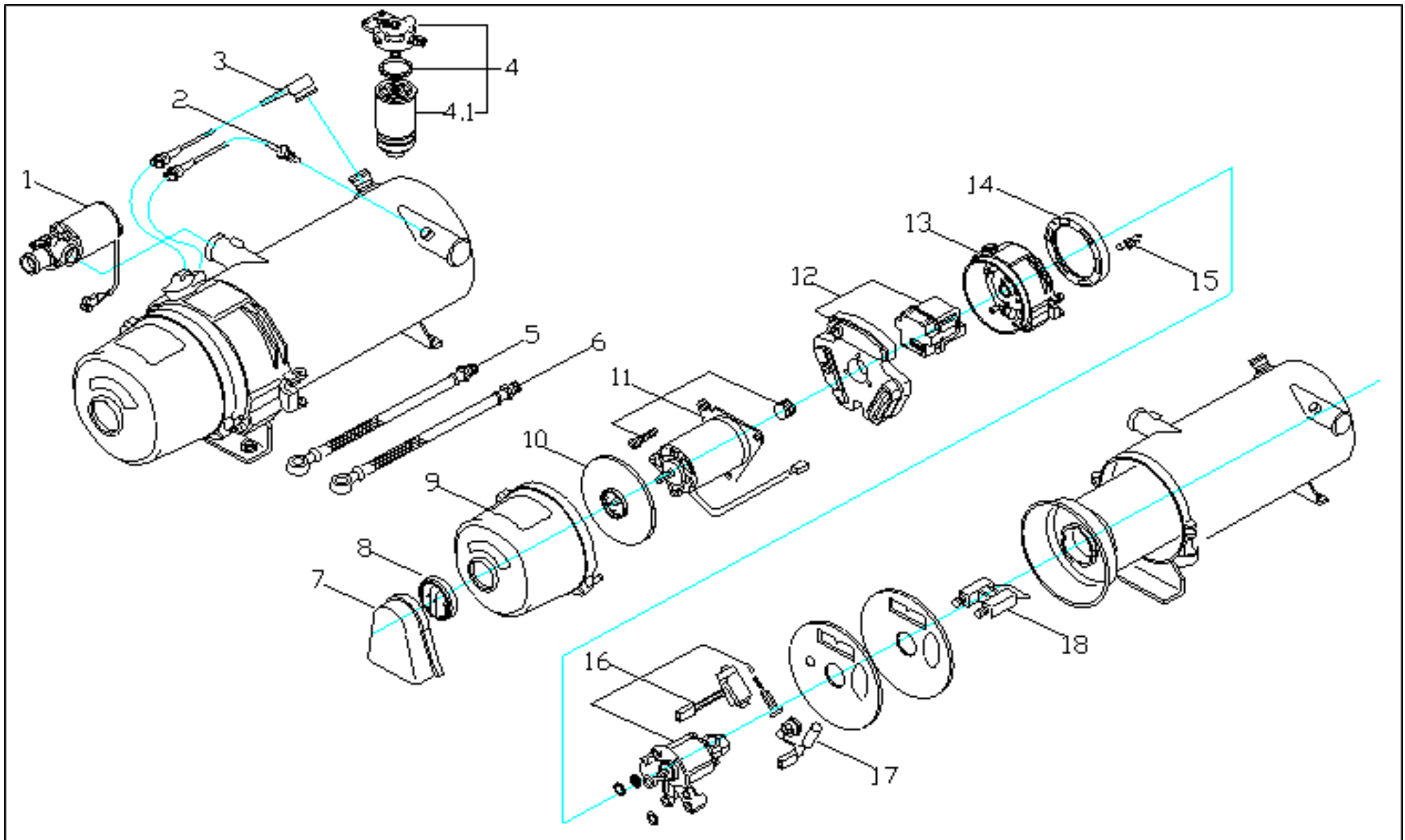
CS-14H-30

除霜器 DEFROSTER

| 序号 S/N | 件号 PART CODE | 件名 PART NAME | 英文件名 PART NAME | 规格 SPEC | 数量 QTY | 备注 REMARK |
|--------|--------------|--------------|----------------|---------|--------|-----------|
| 1      | ZD2821-1     | 电机           | Motor          |         | 1      |           |
| 2      | 557          | 水箱           | Water tank     |         | 1      |           |

T350

加热器总成 THE HEATER ASSEMBLY



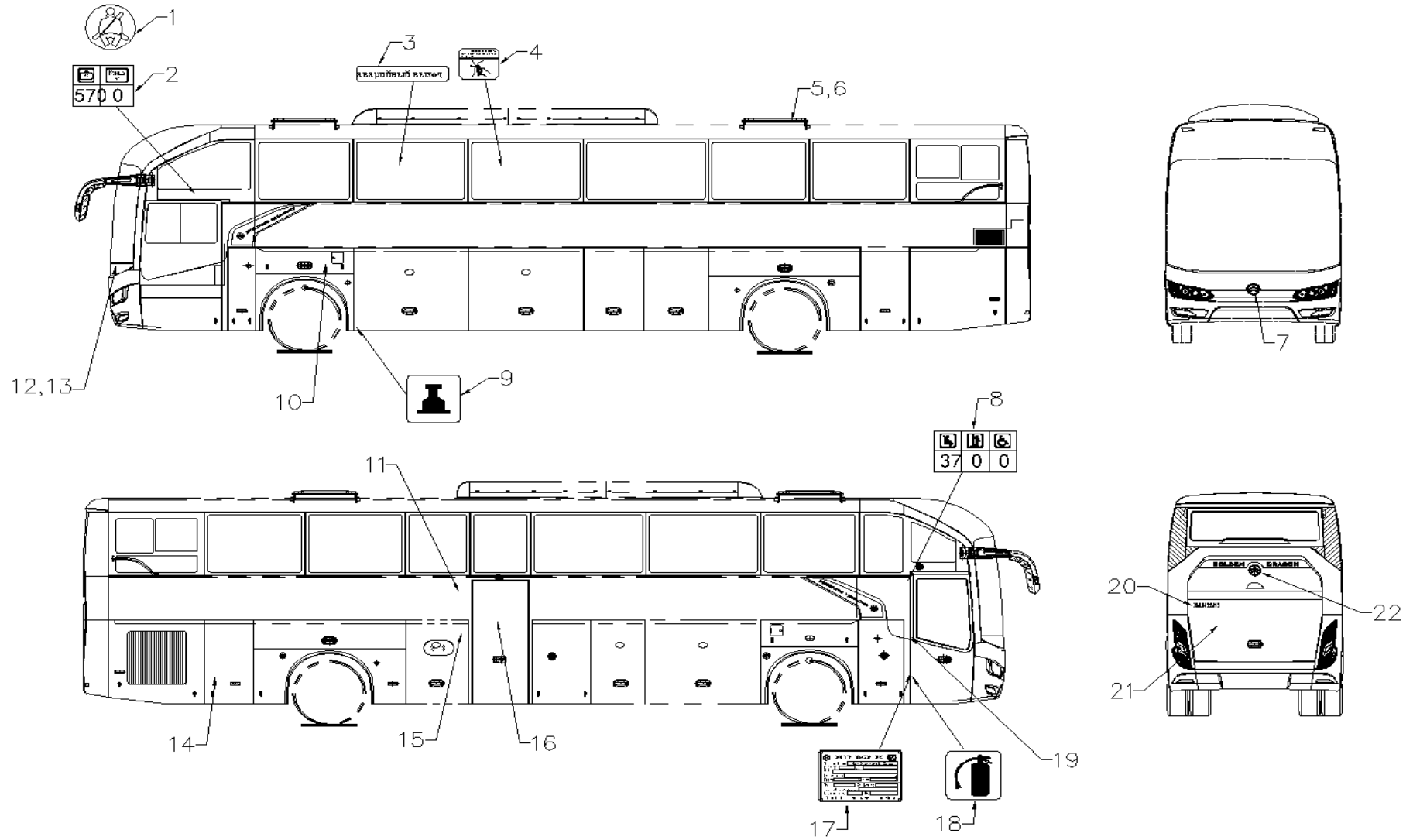
## T350 加热器总成 THE HEATER ASSEMBLY

| 序号 S/N | 件号 PART CODE | 件名 PART NAME | 英文件名 PART NAME               | 规格 SPEC | 数量 QTY | 备注 REMARK |
|--------|--------------|--------------|------------------------------|---------|--------|-----------|
| 1      | 92680C       | 水泵           | Circulation pumpU4814        |         | 1      |           |
| 2      | 82823C       | 温控开关-过热保护    | overheat protection          |         | 1      |           |
| 3      | 14941A       | 温度传感器        | temperature sensor           |         | 1      |           |
| 4      | 2710045A     | 燃油滤清器        | fuel filter                  |         | 1      |           |
| 4      | 9011807C     | 滤芯           | easy-change filter           |         | 1      | 4.1       |
| 5      | 82234B       | 供油管          | fuel supply line             |         | 1      |           |
| 6      | 82235B       | 回油管          | fuel return line             |         | 1      |           |
| 7      | 20818B       | 塑料护罩         | splashguard                  |         | 1      |           |
| 8      | 20819A       | 调风罩          | gride                        |         | 1      |           |
| 9      | 20649D       | 风扇护罩         | hood                         |         | 1      |           |
| 10     | 20641B       | 助燃风扇         | fan rotor                    |         | 1      |           |
| 11     | 21319A       | 电机           | driver assy                  |         | 1      |           |
| 12     | 65271E       | 电控单元总成       | electronic control unit      |         | 1      |           |
| 13     | 82206BC      | 燃烧器外壳        | hosing                       |         | 1      |           |
| 14     | 20820B       | 调节环          | adjusting ring               |         | 1      |           |
| 15     | 19970A       | 火焰探测器        | flame detection photocell    |         | 1      |           |
| 16     | 72030B       | 油泵           | fuel pump                    |         | 1      |           |
| 17     | 83933B       | 节温器          | heat element with thermostat |         | 1      |           |
| 18     | 14846BC      | 点火电极         | ignition electrode           |         | 1      |           |

**17 其他说明 OTHER INSTRUCTION**

**其他说明  
OTHER INSTRUCTION**

# 17-1 整车标识牌 NAME PLATE, COMPLETE SET

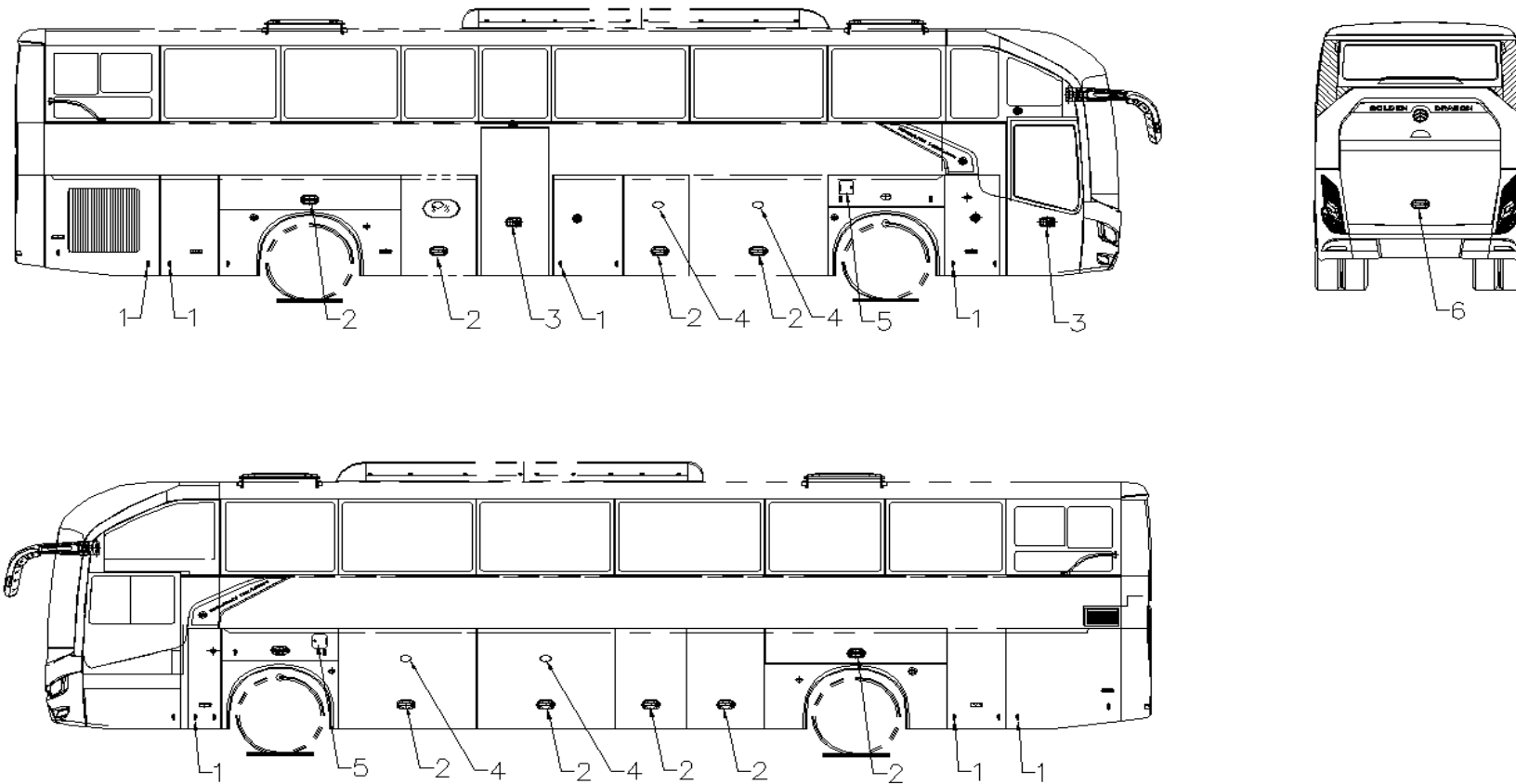


## 17-1 整车标识牌 NAME PLATE, COMPLETE SET

| 序号 S/N | 件号 PART CODE      | 件名 PART NAME      | 英文件名 PART NAME  | 规格 SPEC | 数量 QTY | 备注 REMARK |
|--------|-------------------|-------------------|---|---------|--------|-----------|
| 1      | 3922-BS-SJAQD     | 司机安全带标识           | Driver safety belt label                              |         | 1      |           |
| 2      | 3922-BS-XZ57-E    | 限重二联标识 (俄)        | Weight limit label                                    |         | 1      |           |
| 3      | 5004-113-B4A-E    | 应急出口标识 (俄)        | Emergency exit signs (Russia)                         |         | 7      |           |
| 4      | 5004-114-B4A-E    | 安全锤使用方法标识 (俄)     | Safety hammer using method of identification (Russia) |         | 6      |           |
| 5      | 3922-BS-RUS-7     | 逃生天窗外部标识(俄)       | Escaping skylight external ID (Russia)                |         | 4      |           |
| 6      | 3922-BS-RUS-4     | 逃生天窗内部标识(俄)       | Escaping skylight inner identifier (Russia)           |         | 2      |           |
| 7      | 3921-BZ180-DWX    | 金旅标牌 LOGO 带定位销    | Golden Dragon label LOGO                              |         | 1      |           |
| 8      | 3922-BS-CKSL-AF57 | 乘客三联标识 (俄)        | passenger label                                       |         | 1      |           |
| 9      | 3922-BS-QJD       | 千斤顶标识             | Jack label  |         | 4      |           |
| 10     | 3922-BS-JYK-E     | 加油口标识 (俄)         | Label, oil filler(Russia)                             |         | 1      |           |
| 11     | 3922-BS-NMKG-E    | 车内应急门开关标识 (俄)     | Emergency door switch label                           |         | 2      |           |
| 12     | 3922-BS-RUS-2     | 仪表台紧急开关标识 (俄)     | Emergency switch label                                |         | 1      |           |
| 13     | 3922-BS-XS-E      | 限速标识 (俄)          | Speed limit label (Russia)                            |         | 1      |           |
| 14     | 3922-BS-NSK-E     | 尿素口标识 (俄)         | Urea Export label (Russia)                            |         | 1      |           |
| 15     | 3922-BS-WMKG-E    | 车外应急门开关标识 (俄)     | Outter label, emergency switch                        |         | 4      |           |
| 16     | 3922-BS-CM-E      | 车门标识 (俄)          | Label,door(Russia)                                    |         | 2      |           |
| 17     | EEC3921-KBV1-E3   | 俄罗斯认证铭牌           | Russian certification nameplate                       |         | 1      |           |
| 18     | 3922-BS-MHQ       | 灭火器标识             | Label, fire extinguisher                              |         | 2      |           |
| 19     | 3922-BS-DYYE-E    | 导游椅标识 (俄)         | Guide seat label(Russia)                              |         | 1      |           |
| 20     | 3921-6139JR       | 型号牌               | Model label   |         | 1      |           |
| 21     | 3922-BS-RUS-10    | 启动盒标识(俄)          | Rear starter box label                                |         | 1      |           |
| 22     | 3921-BZ180-LED    | 金旅标牌 LOGO (LED 灯) | Golden Dragon label LOGO                              |         | 1      |           |



# 17-2 整车锁 LOCK, COMPLETE SET



## 17-2 整车锁 LOCK, COMPLETE SET

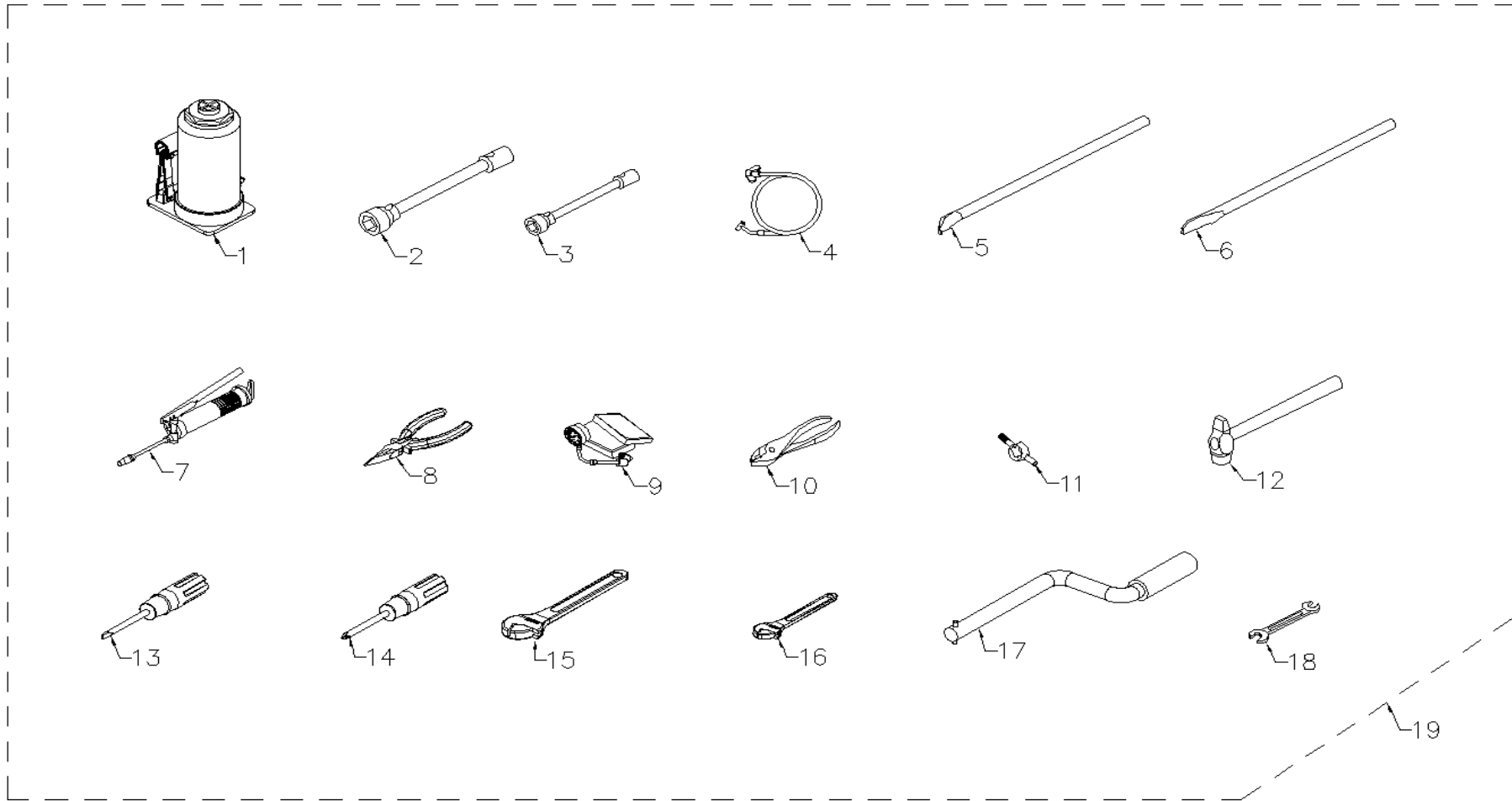
| 序号 S/N | 件号 PART CODE | 件名 PART NAME  | 英文件名 PART NAME              | 规格 SPEC | 数量 QTY | 备注 REMARK |
|--------|--------------|---------------|-----------------------------|---------|--------|-----------|
| 1      | H0-393       | 简易锁（菱形扳手开启）   | Lock                        |         | 8      |           |
| 2      | 191B         | 191 大盒锁带灯（双开） | Lock                        |         | 14     |           |
| 3      | 516B         | 516B 乘客门锁总成   | Passenger door lock         |         | 2      |           |
| 4      | 135          | 135 把手        | 135 handle                  |         | 8      |           |
| 5      | H0-161       | 161 客车油箱锁     | Lock, fuel tank             |         | 2      |           |
| 6      | 516-H0       | 后舱门锁          | Door lock, rear compartment |         | 1      |           |

## 17-3 随车工具 TOOLS SUPPLIED WITH THE BUS

| 序号 S/N | 件号 PART CODE    | 件名 PART NAME | 英文件名 PART NAME                        | 规格 SPEC | 数量 QTY | 备注 REMARK |
|--------|-----------------|--------------|---------------------------------------|---------|--------|-----------|
| 1      | XML-3900        | 随车工具箱        | Universal tools supplied with the bus |         | 1      |           |
| 2      | QJD-16T         | 16T 千斤顶      | 16T JACK                              |         | 1      |           |
| 3      | KS508           | 三角警告牌        | Warning triangle                      |         | 1      |           |
| 4      | 3901-300A0      | 弹力绳固定架       | Fixed mount                           |         | 1      |           |
| 5      | 3901-320A0      | 弹力绳固定钩       | Fixed hook                            |         | 2      |           |
| 6      | S32             | 车轮套筒扳手       | Wrench, sleeve, wheel                 |         | 1      |           |
| 7      | QJDZJ-16T       | 千斤顶固定座       | Fixed seat,jack                       |         | 1      |           |
| 8      | 6122A01-3900011 | 防潮垫          | Moisture-proof pad                    |         | 1      |           |

XML-3900

随车工具箱 TOOLS SUPPLIED WITH THE BUS



## XML-3900

## 随车工具箱 TOOLS SUPPLIED WITH THE BUS

| 序号 S/N | 件号 PART CODE  | 件名 PART NAME | 英文件名 PART NAME                        | 规格 SPEC | 数量 QTY | 备注 REMARK |
|--------|---------------|--------------|---------------------------------------|---------|--------|-----------|
| 1      | QJD-16T       | 千斤顶 16T      | 16TJack                               |         | 1      |           |
| 2      | S32           | 车轮套筒扳手       | Wrench, sleeve, wheel                 |         | 1      |           |
| 3      | S22-4         | 车轮套筒扳手       | Wrench, sleeve, wheel                 |         | 1      |           |
| 4      | DQRG-8        | 打气软管         | Inflation hose                        |         | 1      |           |
| 5      | GXQB          | 撬棒 (勾型)      | Lever (hook type)                     |         | 1      |           |
| 6      | SXQB          | 撬棒 (舌型)      | Lever (tongue type)                   |         | 1      |           |
| 7      | HYQ-400       | 黄油枪带软管       | Grease gun with hose                  |         | 1      |           |
| 8      | JZQ           | 尖嘴钳          | sharp nose pliers                     |         | 1      |           |
| 9      | LS3900000-QYB | 轮胎气压表        | Tyre pressure gauge                   |         | 1      |           |
| 10     | LYQ-8         | 8"鲤鱼钳        | 8-Slip joint plier                    |         | 1      |           |
| 11     | QMXBS         | 气门芯扳手        | Wrench, tire valve                    |         | 1      |           |
| 12     | SC-8          | 手锤           | Hand hammer                           |         | 1      |           |
| 13     | SZXJ-6        | 十字型螺钉旋具      | Hex screw spinning tool               |         | 1      |           |
| 14     | YZXJ-6        | 一字型螺钉旋具      | Linear shape spinning tool            |         | 1      |           |
| 15     | HDBS-12       | 12"活络扳手      | 12 spanner wrench                     |         | 1      |           |
| 16     | HDBS-6        | 8"活络扳手       | 8 spanner wrench                      |         | 1      |           |
| 17     | BT680X22      | 备胎升降杆 680×22 | Spare tyre regulator 680*22           |         | 1      |           |
| 18     | LQQBS         | 滤清器扳手        | Fuel filter wrench                    |         | 1      |           |
| 19     | XML-3900      | 通用随车工具       | Universal tools supplied with the bus |         | 1      |           |

## 17-4 整车线束 HARNESS, COMPLETE SET

| 序号 S/N | 件号 PART CODE         | 件名 PART NAME | 英文件名 PART NAME           | 规格 SPEC | 数量 QTY | 备注 REMARK |
|--------|----------------------|--------------|--------------------------|---------|--------|-----------|
| 1      | 6139X01-4011050-EK45 | 前围线束         | Harness, front panel     |         | 1      |           |
| 2      | 6139X02-4003020-EK45 | 仪表线束         | Instrument harness       |         | 1      |           |
| 3      | 6139X01-4002640      | 视频线束         | Video harness            |         | 1      |           |
| 4      | 6139X02-4002030-EK45 | 顶棚线束         | Roof harness             |         | 1      |           |
| 5      | 6139X01-4002210-A1   | 中门线束         | Middle passenger harness |         | 1      |           |
| 6      | 6139X02-4002040-EK45 | 阅读灯线束        | Harness, reading light   |         | 1      |           |
| 7      | 6139X02-4013180-EK45 | 尾灯线束         | Harness, taillight       |         | 1      |           |
| 8      | 6139X02-4010010-EK45 | 底盘线束         | Harness, chassis         |         | 1      |           |
| 9      | 6139X02-4001770-EK45 | 电喷发动机线束      | Harness, Engine          |         | 1      |           |
| 10     | 6139X02-4014070-EK45 | 液体加热器线束      | Harness, heater          |         | 1      |           |
| 11     | 6139X01-4014740-RUS  | 暖风附加线束       | Heating water harness    |         | 1      |           |
| 12     | 6127X01-4014740-RUS  | 暖风附加线束       | Heating water harness    |         | 1      |           |
| 13     | 6139X02-4010080-EK45 | ABS 线束       | ABS harness              |         | 1      |           |
| 14     | 6139X02-4010730-EK45 | ECAS 线束      | ECAS harness             |         | 1      |           |
| 15     | 486.21120-10         | 视频线          | Video line               |         | 2      |           |
| 16     | 486.64040-24         | 探头转接线        | Probe line               |         | 1      |           |
| 17     | 486.32210-4W         | 10 米摄像头转接线   | Probe line               |         | 1      |           |
| 18     | 6127X01-3721520      | 喇叭连线         | Wire, horn               |         | 1      |           |
| 19     | 6100A1-3724120-A1    | 发电机搭铁线       | Earth wire, generator    |         | 1      |           |
| 20     | 6100A1-3724150-A1    | 起动机搭铁线       | Earth wire, starter      |         | 1      |           |