

前 言 Preface

本备件图册针对的车型：CK-6125J58C-5W7AZ-RU

The parts catalogue of bus model: CK-6125J58C-5W7AZ-RU

合同号：3150244

Contract No. 3150244

车型基本配置表： Basic configuration form for this bus model:

名称 Name	总成号 Assembly	厂家 Factory
发动机 Engine	YC6L280N52-LNGLA	玉柴 Yu Chai
变速箱 Gearbox	152.004314.01	福伊特 VOITH
前桥 Front axle	DF30N75G-K11P236KW-G	东风 Dong Feng
后桥 Rear axle	DF24N13G-K11PSM615KG	东风 Dong Feng
前悬 Rear suspension	JR-075BFA2-001	精锐 Jing Rui
后悬 Rear suspension	JR-130BRG1-003	精锐 Jing Rui
ABS	ASR-E-WABC0-04	WABCO

本备件图册上的插图主要标示有关零部件的基本工艺图形。插图上涉及到的零部件尺寸比例、安装方向以及装配顺序可能不精确，因此本备件图册建议仅用于指导用户采购零部件用，不建议用于指导装配或维修。为避免出现不必要的错误，当您采购零部件配件时，请提供如下信息：

Illustration in this spare parts catalogue shows mainly basic process sketch for related parts. The dimension scale, direction of installation and assembling procedures referred in the illustrations may be inaccurate; therefore it is recommended to be only used as a guide for part ordering but not for assembling and maintenance. While ordering parts, please provide the following information to avoid unnecessary mistakes:

1. 整车型号、出厂编号(以上的型号、编号请参见位于车内乘客门上方的整车铭牌上);
1. Whole bus model, serial No. (Please refer to interior nameplate located above the passenger door);
2. 需采购的零部件件号及件名;
2. Name and part No. of parts to be ordered;
3. 所采购零部件的数量;
3. Quantity of parts to be ordered;
4. 零部件外形照片(可能的情况下)。
4. Picture of parts (if available).

特别说明: Special instructions:

1. 备注栏项易损件指车辆正常使用时必须消耗或损坏率较高需要更换的零部件, 建议用户常备一定数量备用;

1. 'Wearing parts' in 'remark' column means those parts could be worn easily during normal operation and should be replaced frequently; it is recommended for users to have certain quantity of them in stock.

2. 备注栏项不零售件指本配件为标准件或相对耐用损坏率较低, 建议标准件当地采购; 非标准件原则上不零售, 如有损坏, 建议按小总成件采购。

2. "Non-retail parts" in "remark" column means those parts are standard parts or durable parts; it is recommended to purchase locally for standard parts; for non-standard parts, they are not sold separately in principle; if they are broken, it is recommended to purchase in form of small assemblies.

本备件图册所包含的采购信息和规格资料, 全部出自编写时的最新产品信息。金旅公司的产品处于不断更新提升中, 因此零部件、编号、规格、数量以及各个零件的工艺图形、外观可能会有所变更。厦门金龙旅行车有限公司有权在不预先通知的情况下随时做出变更。如有变更, 请以变更的为准!

All of ordering information and specifications in this spare parts catalogue are latest products information while this Catalogue is being compiled. Parts, numbers, specifications, quantities and process outlines and appearances of parts in this catalogue may not be in accordance with specific objects due to continuous updating of Golden Dragon products. Golden Dragon has the right to modify them without notification in advance. Any detail should be subject to specific objects.

另外, 本备件图册原则上每年度更新一次, 建议用户按最新年度版本的备件图册指导采购零部件, 避免因图册年度更新而产生错误。

In addition, this catalogue will be updated annually in principle; it is recommended for users to order parts according to latest version to avoid mistakes resulted from annual update.

厦门金龙旅行车有限公司
Xiamen Golden Dragon Bus Co., Ltd.
2015年9月
September, 2015

目 录 CONTENTS

01	车辆前部 FRONT OF THE VEHICLE.....	6
01-1	前围 FRONT PANEL	7
6115Y07-3741100	雨刮器总成 FRONT WIPER.....	9
02	车辆侧围 SIDE OF THE VEHICLE.....	11
02-1	侧围 SIDE PANEL	12
02-2	侧仓门 SIDE COMPARTMENT	15
02-2-1	蓄电池仓布置 BATTERY COMPARTMENT	18
02-3	乘客门安装总成 PASSENGER DOOR INSTALLATION ASSEMBLY	20
03	车辆后部 REAR OF THE VEHICLE.....	22
03-1	后围 REAR PANEL.....	23
04	车内前部 FRONT OF THE INTERIOR VEHICLE	26
04-1	驾驶区布置 DRIVER COMPARTMENT.....	27
04-2	前部仪表电器 ELECTRICAL APPARATUS, FRONT INSTRUMENTS PANEL.....	29
6125Y07-3700100-R0	电控盒 ELECTRIC BOX	32
05	车辆内部 INTERIOR VEHICLE.....	34
05-1	顶盖和侧围 TOP COVER&SIDE PANEL	35
05-2	整车扶手及座椅总成 ARMREST&SEAT	39
05-3	地板革和检修盖 FLOOR COVERING & REPAIR HATCH	41
06	转向系统 STEERING SYSTEM.....	44
06-1	转向系统布置 STEERING SYSTEM.....	45
06-2	转向操纵助力管路 STEERING OPERATION BOOSTING PIPELINE.....	47
09	制动系统 BRAKE SYSTEM.....	49
09-1	制动原理图 SCHEMATIC DIAGRAM, BRAKE.....	50

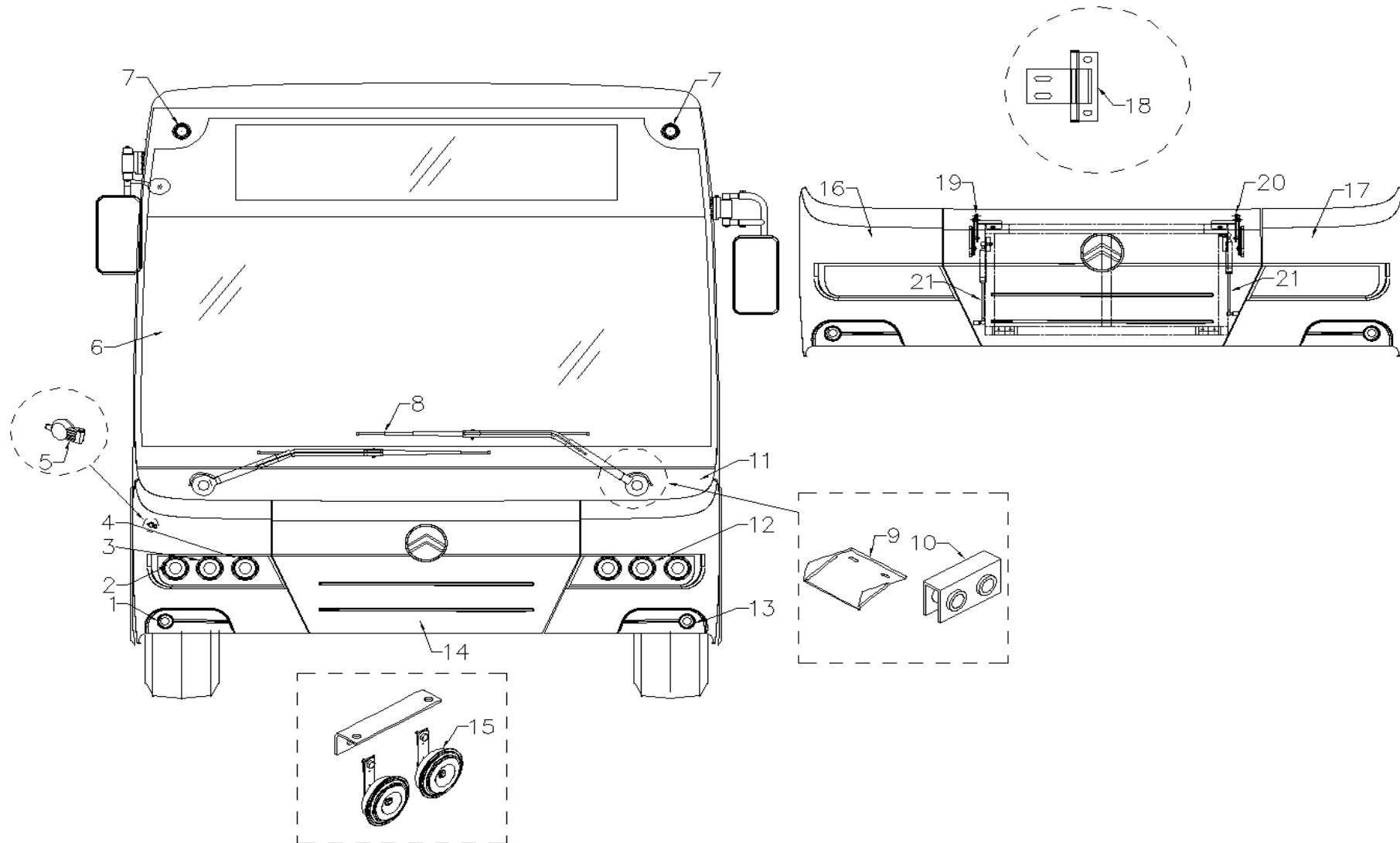
09-2	制动管路系统 ARRANGEMENT DIAGRAM, BRAKE.....	52
09-2-1	控制及前刹部分 CONTROL AND FRONT BRAKE.....	53
09-2-2	储气筒及四保阀部分 AIR CYLINDER AND 4-WAY PROTECTIVE VALVE	55
09-2-3	气源部分 AIR SUPPLY	58
09-2-4	后刹及驻车部分 REAR BRAKE AND PARKING BRAKE	60
09-3	制动防抱死系统 (ABS) ANTI-LOCK BRAKING SYSTEM (ABS)	62
10	底盘总成件 CHASSIS ASSEMBLY PARTS	64
10-1F	前桥总成 FRONT AXLE ASSEMBLY	65
10-1F-1	前桥总成 FRONT AXLE ASSY	67
10-1F-2	转向横拉杆 STEERING TIE ROD.....	71
10-1F-3	前制动器 FRONT BRAKE SYSTEM.....	73
10-1R	后桥总成 REAR AXLE ASSEMBLY	75
10-1R-1	后桥总成 REAR AXLE ASSY.....	77
10-1R-2	轮毂制动盘总成的装配 WHEEL BRAKE DISC ASSEMBLY ASSEMBLY	85
10-1R-3	差速器总成的装配 DIFFERENTIAL ASSEMBLY ASSEMBLY	87
10-1R-4	制动器总成的装配 BRAKE ASSEMBLY ASSEMBLY	89
10-2F	前悬挂总成 FRONT SUSPENSION ASSEMBLY	91
JR-075BFA2-001	前空气悬挂总成 FRONT AIR SUSPENSION ASSY.....	93
10-2FS	前稳定杆安装总成 FRONT STABILIZER INSTALL ASSEMBLY	95
10-2R	后悬挂总成 REAR SUSPENSION ASSEMBLY	97
JR-130BRG1-003	后空气悬架系统 REAR AIR SUSPENSION ASSY	99
10-2L	空气调平 AIR LEVELING.....	101
10-3	车轮安装 WHEEL INSTALLTION.....	103
10-4	传动轴安装 DRIVE SHAFT INSTALLATION.....	105
6125Y27-2201010-FK36	传动轴 DRIVE SHAFT.....	107
10-5	变速箱总成 GEARBOX ASSEMBLY	109
10-6	发动机及周边件 ENGINE& AROUND PARTS	111
10-6-1	发动机悬置 ENGINE MOUNTING SYSTEM	113
10-8	集中润滑系统 CHASSIS LUBRICATION SYSTEM.....	115
11	供给系统 FUEL SYSTEM.....	117

11-G	燃气供给系统 GAS SYSTEM	118
11-2	油门操纵机构 THROTTLE CONTROL MECHANISM	120
12	进气系统 AIR INTAKE SYSTEM	122
12-1	进气系统布置 AIR INTAKE SYSTEM	123
AH24192	空滤器总成 AIR FILTER	125
13	排气系统 EXHAUST SYSTEM	127
13-1	排气系统布置 EXHAUST SYSTEM	128
14	冷却系统 COOLING SYSTEM	130
14-1	冷却系统布置 COOLING SYSTEM	131
6103A01-1311010-JSHF	膨胀水箱 EXPENSION WATER TANK	133
16	暖风系统 HEATING SYSTEM	135
16-1	暖风管路布置 HEATING PIPELINE	136
CS-7DL-25	除霜器 DEFROSTER	142
T350	加热器总成 THE HEATER ASSEMBLY	144
17	其他说明 OTHER INSTRUCTION	146
17-1	整车标识牌 NAME PLATE, COMPLETE SET	147
17-2	整车锁 LOCK, COMPLETE SET	150
17-3	随车工具 TOOLS SUPPLIED WITH THE BUS	152
HZKG-3900	随车工具箱 TOOLS SUPPLIED WITH THE BUS	153
17-4	整车线束 HARNESS, COMPLETE SET	155

01 车辆前部 FRONT OF THE VEHICLE

车辆前部
FRONT OF THE VEHICLE

01-1 前围 FRONT PANEL

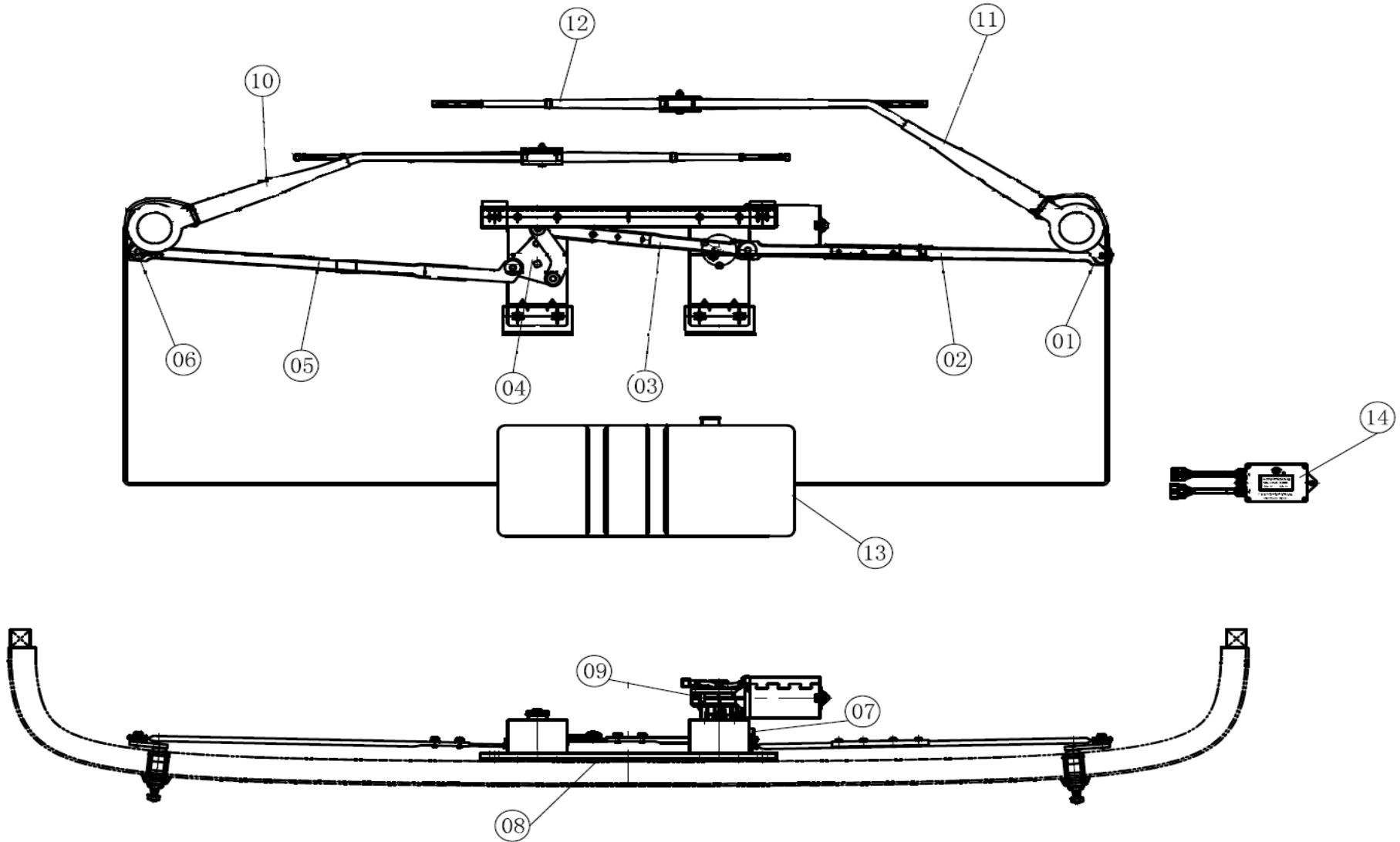


01-1 前围 FRONT PANEL

序号 S/N	件号 PART CODE	件名 PART NAME	英文件名 PART NAME	规格 SPEC	数量 QTY	备注 REMARK
1	2PT009599-021	右昼间行车灯	Right running light		1	
2	6116G91-4111210	前转向灯	Front turn light		2	
3	4101220-GW	近光灯-右	Low beam headlight, right		1	
4	6116G91-4101110	远光灯	High beam light		2	
5	6127A01-3790110-B0	进口门控锁开关	Door lock switch, imported		1	
6	6125Y10-5206100-BY01	前风窗	Front windshield		1	
7	6100UB2-3731200-B0	前示廓灯	Front marker lamp		2	
8	6115Y07-3741100	前雨刮器总成	Front wiper assembly		1	
9	6105E01-5301010-HC	雨刮固定轴套	Shaft stationary sleeve,wiper		2	
10	6115F01-5301212	雨刮固定支架	Support,wiper		2	
11	6125Y10-5302100-BY01	前围玻璃钢	FRP, front panel		1	
12	4101210-GW	近光灯-左	Low beam headlight, left		1	
13	2PT009599-011	左昼间行车灯	Left running light		1	
14	6125Y10-5302400-BY01	前检修门	Access cover,front		1	
15	6937A16-3721400	电喇叭	Electric horn		1	
16	6125Y10-5302200-FK34	前围右侧检修门	Access cover,front,right		1	
17	6125Y10-5302300-FK34	前围左侧检修门	Access cover,front,left		1	
18	6125Y10-5302250-BY01	侧检修门翻转铰链	Flip-hinge,access cover,side		4	
19	5902042-A02	加调整板的四连杆铰链	Hinge, 4 connecting rod		1	
20	5902041-A02	加调整板的四连杆铰链	Hinge, 4 connecting rod		1	
21	QH500-380N180	气弹簧	Air spring		2	

6115Y07-3741100

雨刮器总成 FRONT WIPER



6115Y07-3741100

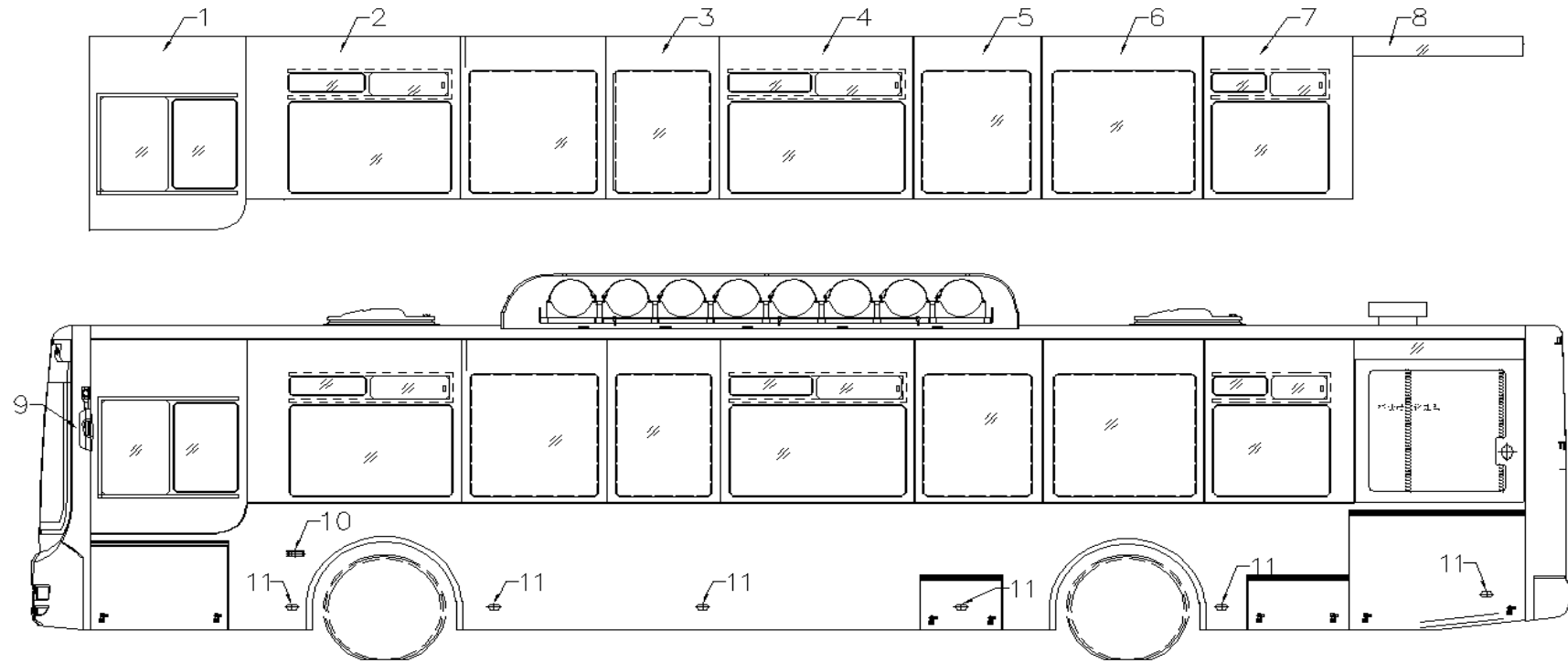
雨刮器总成 FRONT WIPER

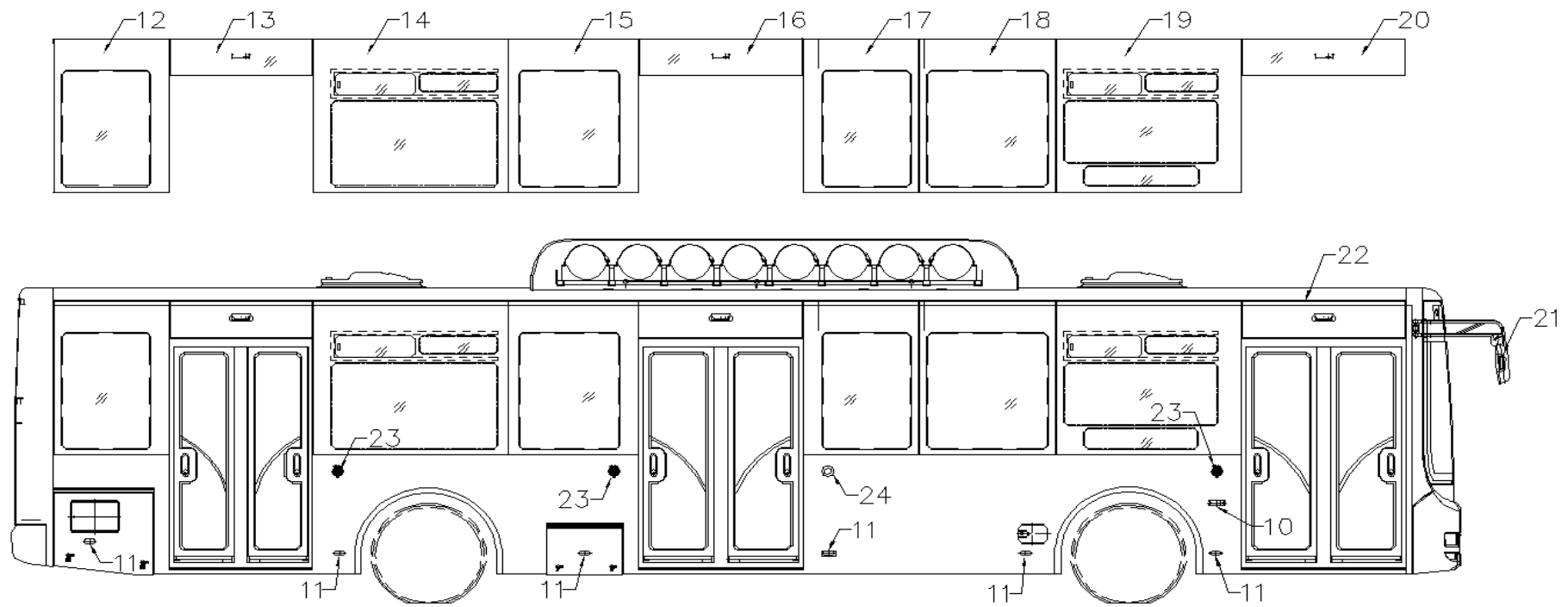
序号 S/N	件号 PART CODE	件名 PART NAME	英文件名 PART NAME	规格 SPEC	数量 QTY	备注 REMARK
1	DC1850B11-1000	主摇臂组件	Main rocker arm component		1	
2	DC1850B11-2000	主连杆组件	Main connecting rod component		1	
3	DC1640B-3000	助动连杆部件	Help move connecting rod part		1	
4	DC1640B-4000	助动板组件	Help move plate part		1	
5	DC1850B11-5000	副连杆组件	Auxiliary connecting rod component		1	
6	DC1850B11-6000	副摇臂组件	Auxiliary rocker arm component		1	
7	DC1640B-7000A	曲柄组件	Crank component		1	
8	DC1640B-8000A	支架组件	Bracket component		1	
9	ZD2838-Z6-0000	刮水电动机	Wiper motor		1	易损件 wearing parts
10	QD800K7-0000	右刮杆组件	Right wiper lever component		1	
11	QD850J3-0000	左刮杆组件	Left wiper lever component		1	
12	Q1000M-0000	刮片	Wipe blade		2	易损件 wearing parts
13	XD210-0000	洗涤器总成	Washer assembly		1	
14	JD269Z-2A-0000	雨刮控制器	Wiper controller		1	

02 车辆侧围 SIDE OF THE VEHICLE

车辆侧围
SIDE OF THE VEHICLE

02-1 侧围 SIDE PANEL

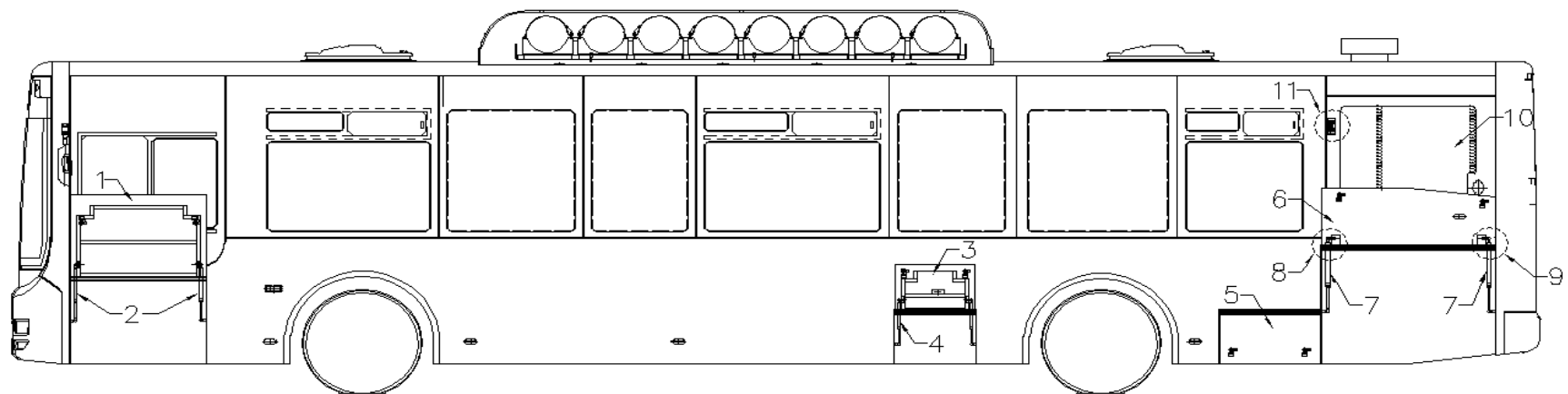


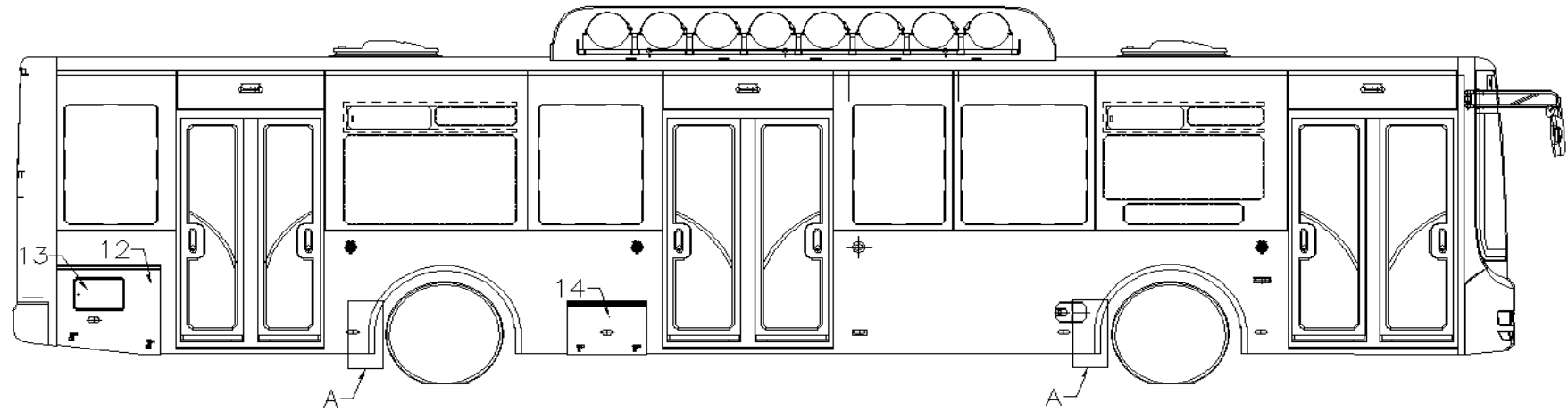


02-1 侧围 SIDE PANEL

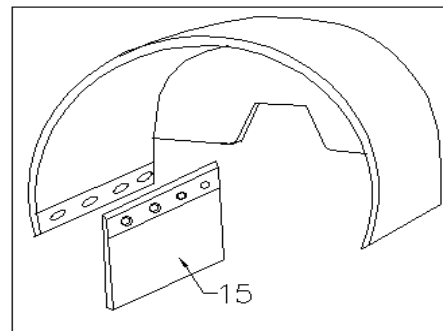
序号 S/N	件号 PART CODE	件名 PART NAME	英文件名 PART NAME	规格 SPEC	数量 QTY	备注 REMARK
1	6125Y14-5403103-FK36	司机窗总成	Driver window assy.		1	
2	6125Y14-5403104-FK36	内置式推拉窗	Built-in sliding window		1	
3	6125Y14-5403008-FK36	侧固定窗	Fixed window,side		1	
4	6125Y14-5403105-FK36	内置式推拉窗	Built-in sliding window		1	
5	6125Y14-5403009-FK36	侧固定窗	Fixed window,side		1	
6	6125Y14-5403011-FK36	侧固定窗	Fixed window,side		1	
7	6125Y14-5403106-FK36	内置式推拉窗	Built-in sliding window		1	
8	6125Y14-5403012-FK36	侧固定窗	Fixed window,side		1	
9	CY170B	左外后视镜	External rearview mirror, left		1	
10	3716-00147	侧转向灯	Turn light, side		2	
11	6930A2-3731400-C0	侧反射复合灯	Combination lamp, side reflection		12	
12	6125Y14-5403001-FK36	侧固定窗	Fixed window,side		1	
13	6125Y14-5403002-FK36	后门门头玻璃	Upper glass, rear door		1	
14	6125Y14-5403101-FK36	内置式推拉窗	Built-in sliding window		1	
15	6125Y14-5403003-FK36	侧固定窗	Fixed window,side		1	
16	6125Y14-5403004-FK36	中门门头玻璃	Upper glass, middle door		1	
17	6125Y14-5403005-FK36	侧固定窗	Fixed window,side		1	
18	6125Y14-5403006-FK36	侧固定窗	Fixed window,side		2	
19	6125Y14-5403102-FK36	内置式推拉窗	Built-in sliding window		1	
20	6125Y14-5403007-FK36	前门门头玻璃	Upper glass, front door		1	
21	CY170A	右外后视镜	External rearview mirror, right		1	
22	LXC1690C-6M	泻水槽型材 (黑色)	Drainage slot profile (black)		4	
23	JF-105	车门控制应急阀	Emergency valve		3	
24	JF-001	残疾人按钮	The disabled button		1	

02-2 侧仓门 SIDE COMPARTMENT





A

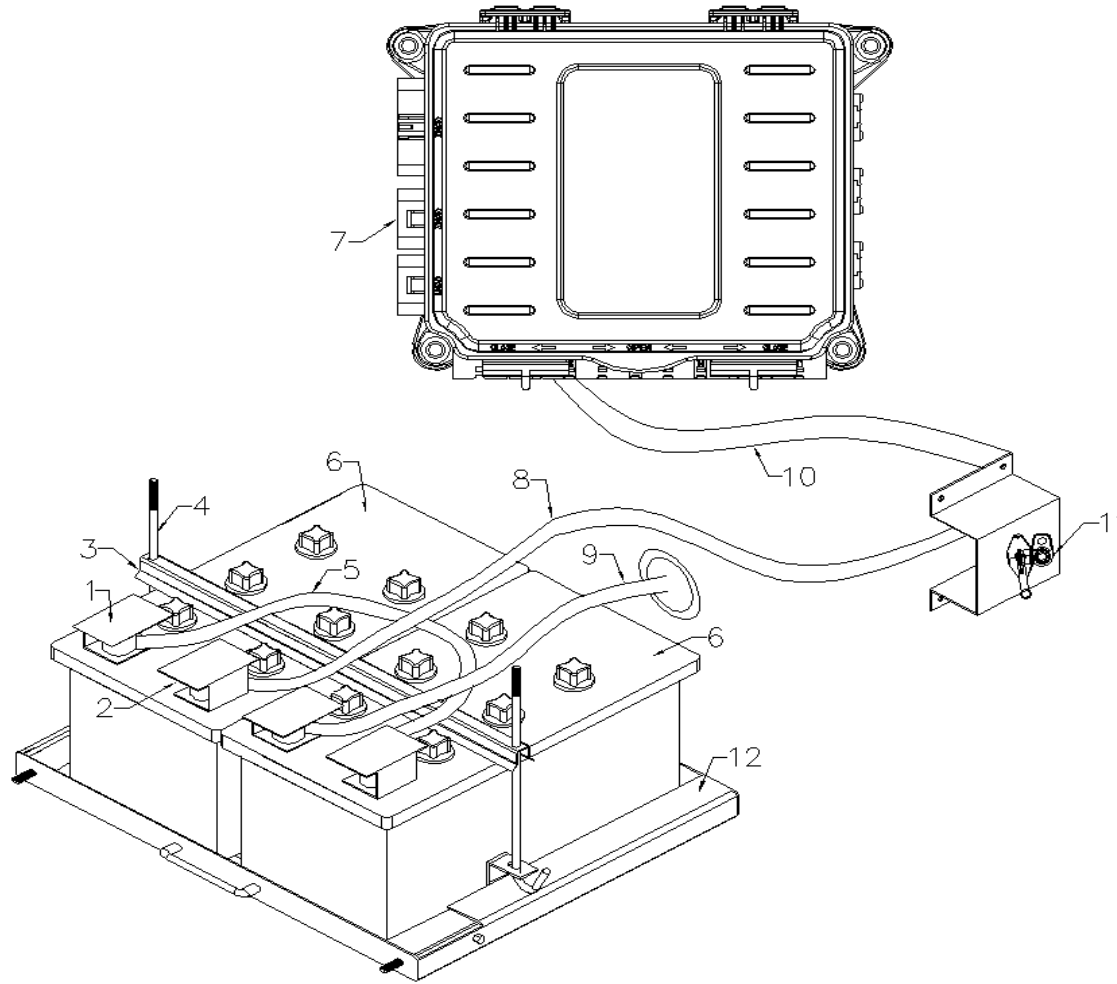


02-2 侧仓门 SIDE COMPARTMENT

序号 S/N	件号 PART CODE	件名 PART NAME	英文件名 PART NAME	规格 SPEC	数量 QTY	备注 REMARK
1	6125Y14-5902100-FK36	司机下舱门	Compartment door assy, below driver		1	
2	QH500-280N180	气弹簧	Air spring		2	
3	6125Y14-5902200-FK36	左侧第二舱门	2nd compartment door assy., left		1	
4	QH350-130N120	气弹簧	Air spring		6	
5	6125Y14-5902300-FK36	左侧第三舱门	3rd compartment door assy., left		1	
6	6125Y14-5902400-FK36	左侧第四舱门	4thcompartment door assy., left		1	
7	QH625-380N220	气弹簧撑杆	Air spring pole		2	
8	DGL-LXC2630	LXC2630 左端头	LXC2630 left port		6	
9	DGR-LXC2630	LXC2630 右端头	LXC2630 right port		6	
10	6125Y14-5902700-FK36	水箱舱门	Compartment door		1	
11	55HA1-08820-F2-XW115	单轴铰链 (限位 115度)	Single-axis hinges		4	
12	6125Y14-5902600-FK36	右侧第二舱门	2nd compartment door assy., right		1	
13	CY-JC400X280-S	检修舱门(开锁孔)	Repair access		1	
14	6125Y14-5902500-FK36	电瓶舱门	Compartment door		1	
15	DNP-SD	挡泥皮	Splash guard		4	

02-2-1

蓄电池仓布置 BATTERY COMPARTMENT

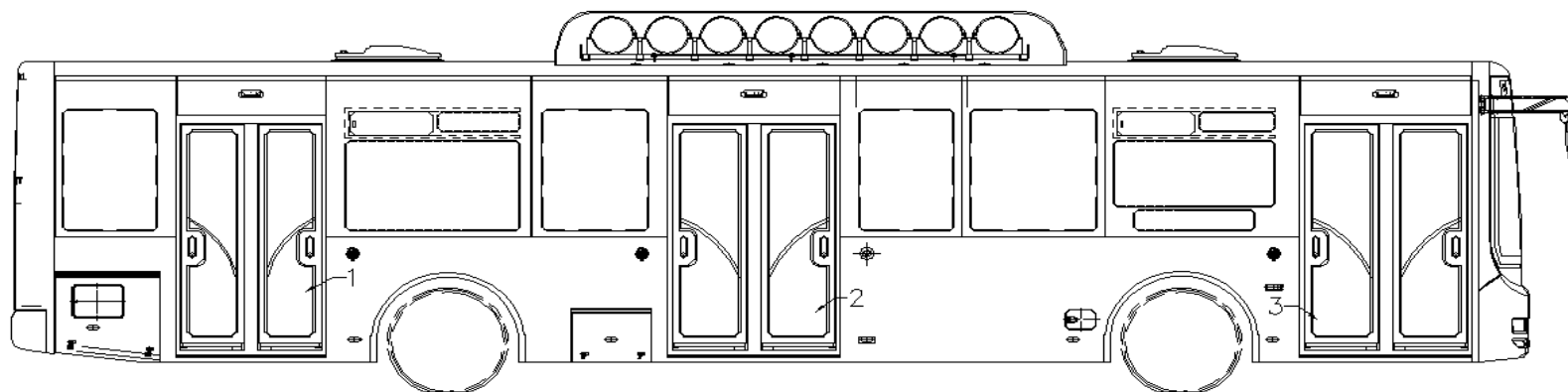


02-2-1 蓄电池仓布置 BATTERY COMPARTMENT

序号 S/N	件号 PART CODE	件名 PART NAME	英文件名 PART NAME	规格 SPEC	数量 QTY	备注 REMARK
1	6102K01-3703320-L	蓄电池正负极保护胶套	Battery Case pole		2	
2	6102K01-3703320-R	蓄电池正负极保护胶套	Battery Case pole		2	
3	6891-3703142	压条胶垫	Battery clamping plate rubber strip		1	
4	6125Y06-3703400	滑槽蓄电池支架总成	Bracket assembly, sliding channel battery		1	
5	DLX0050070-0808R	蓄电池间联线	Inter-battery connecting wire		1	
6	AKL-N225MF	蓄电池	Battery		2	
7	6125P01-3700200-A1	后电控盒	Electric control box, rear		1	
8	DLX0280090-0810R	电缆线	Power cable		1	
9	DLX0250090-0808B	电缆线	Power cable		1	
10	DLX0080090-0810R	电缆线	Power cable		1	
11	SDK300	电源总开关	Main power switch		1	
12	6125Y06-3703401	活动电瓶架(玻璃钢)	Battery tray, removable (fiber reinforced plastic)		1	

02-3

乘客门安装总成 PASSENGER DOOR INSTALLATION ASSEMBLY



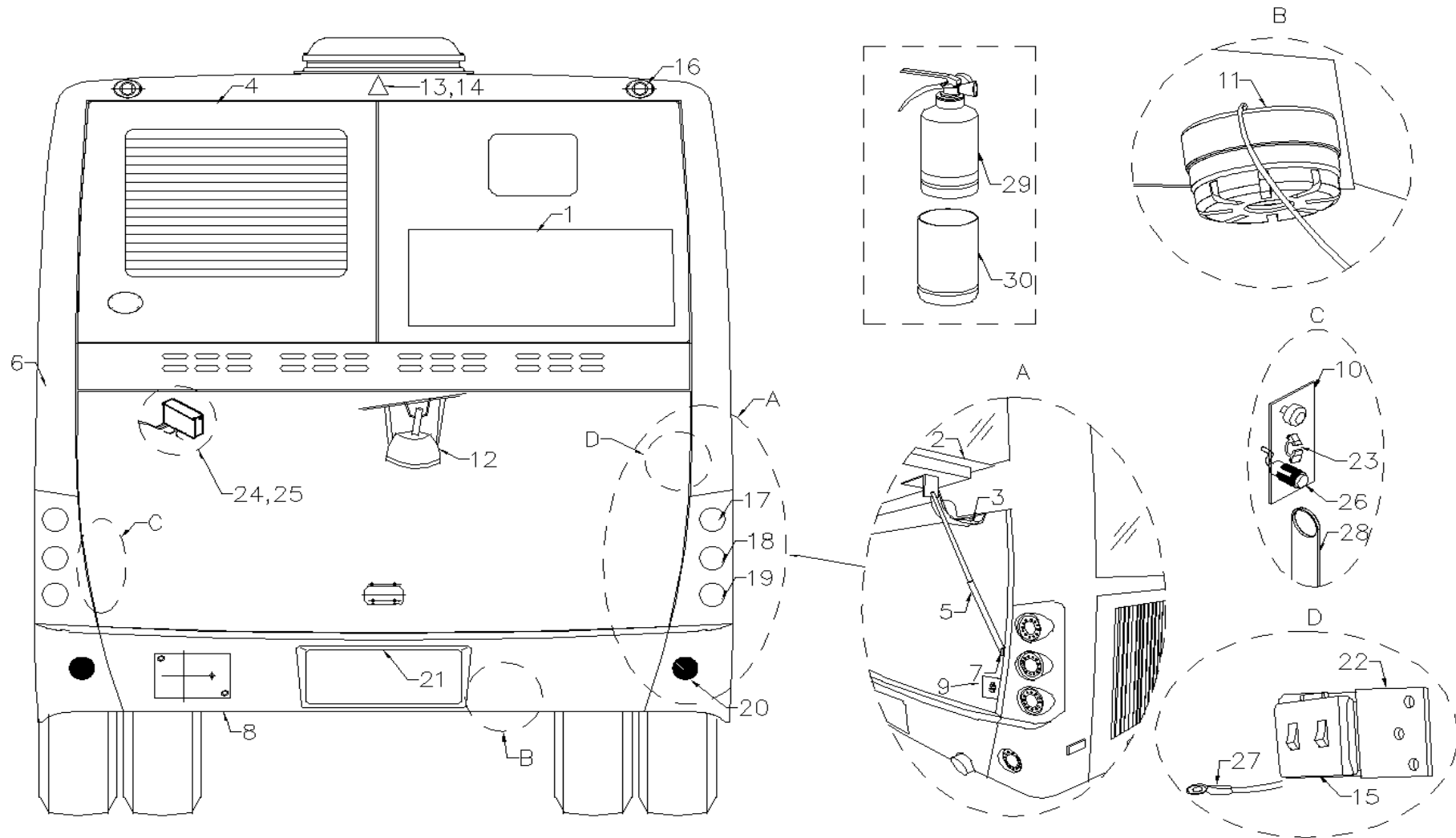
02-3 乘客门安装总成 PASSENGER DOOR INSTALLATION ASSEMBLY

序号 S/N	件号 PART CODE	件名 PART NAME	英文件名 PART NAME	规格 SPEC	数量 QTY	备注 REMARK
1	6125Y14-6200100-FK36	后乘客门总成	Rear passenger door assy.		1	
2	6125Y14-6700100-FK36	中乘客门总成	Middle passenger door assy.		1	
3	6125Y14-6100100-FK36	前乘客门总成	Front passenger door assy.		1	

03 车辆后部 REAR OF THE VEHICLE

车辆后部
REAR OF THE VEHICLE

03-1 后围 REAR PANEL



03-1 后围 REAR PANEL

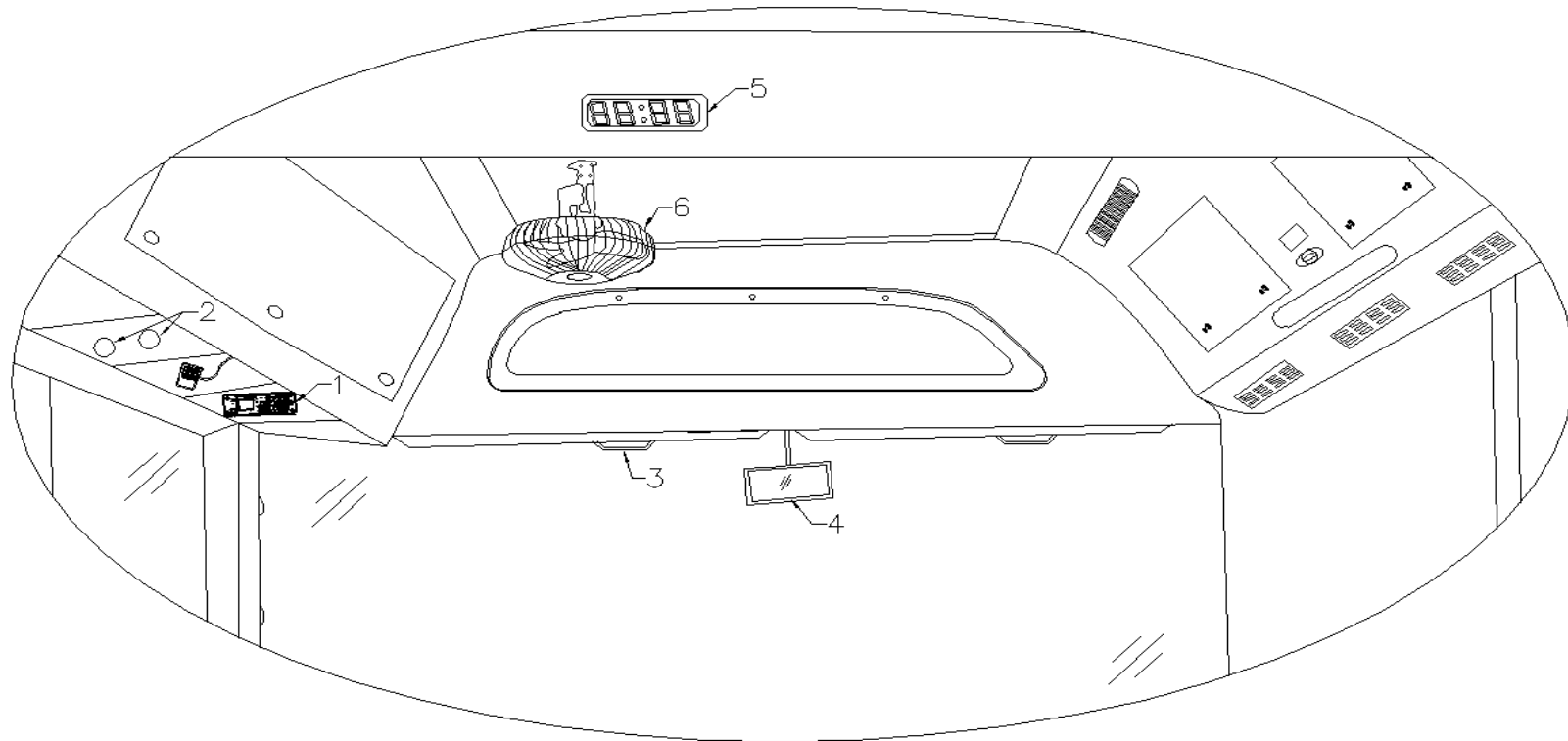
序号 S/N	件号 PART CODE	件名 PART NAME	英文件名 PART NAME	规格 SPEC	数量 QTY	备注 REMARK
1	6125Y10-5603100-FK36	后风窗	Rear window shield		1	易损件 wearing parts
2	6125Y11-5604100-FK34	发动机舱门	Compartment door, rear	铝舱门 Aluminum	1	
3	6116G91-5604050-DT34	发动机舱门铰链	Hinge,Compartment door, rear		2	
4	6125Y11-5604200-FK36	后挡侧舱门	Compartment door,side		1	
5	QH680-500N290	气弹簧撑杆	Air strut		2	
6	6125Y10-5602100-FK34	后围玻璃钢	FRP assy., rear panel assy.		1	
7	6127E01-6101103	后仓门撑杆支座	Air strut support,Compartment door, rear		2	
8	6125Y10-5602200-FK36	后保险杠	Rear bumper		2	
9	6105E01-5604202	后仓门锁扣支座 (右)	Lock bearing , compartment door, rear, right		1	
10	6105E01-5604201	后仓门锁扣支座 (左)	Lock bearing , compartment door, rear, left		1	
11	6100A1-3719100-A1	倒车蜂鸣器	Reversing buzzer		1	
12	QT737-00-A1	发动机仓工作灯	Working lamp ,engine compartment	QT737, 21W	1	
13	485.07020-27	探头线	Probe line		1	
14	6125A12-3776400	彩色倒车监视器	Color reversing monitor		2	
15	KW-HQD-F	后起动盒	Starter box, rear		1	
16	6100UB2-3731100-B0	后示廓灯	Rear marker lamp, left		2	易损件 wearing parts
17	6121C01-4111310	后转向灯	Turn light, rear		2	易损件 wearing parts
18	4134330-204	制动灯	Brake light		2	易损件 wearing parts
19	6121C01-4113100	倒车灯	Reversing light		2	易损件 wearing parts
20	4116200-204	后雾灯组合反射器	Combined reflector, foglight, rear		2	易损件 wearing parts
21	6127A06-4108100-B0	牌照灯	Rear license plate lamp		1	
22	QD-3704071-XF	后起动盒支架	Bracket, rear starter box		1	
23	6107100	碰锁	Latch		2	
24	6125P01-3700200-A1	后电控盒总成	Electric control box, rear		1	
25	6125P01-3700308	后电控盒固定板	Fixing bracket, electric control box , rear		1	
26	6122E04-3758110	磁感应开关	Compartment door switch, electromagnetic		1	

27	1126-105C	发动机仓探头	Probe, engine compartment		1	
28	PS-2107220-XF	磁感应开关支架	Bracket, magnetic switch		1	
29	MFZ-ABC4-Y-B	车内 4kg 干粉灭火器	Bracket, fire extinguisher		2	
30	MHQZJ4-4F-G3YS-HM	灭火器支架	Fire extinguisher stent		2	

04 车内前部 FRONT OF THE INTERIOR VEHICLE

车内前部
FRONT OF THE INTERIOR VEHICLE

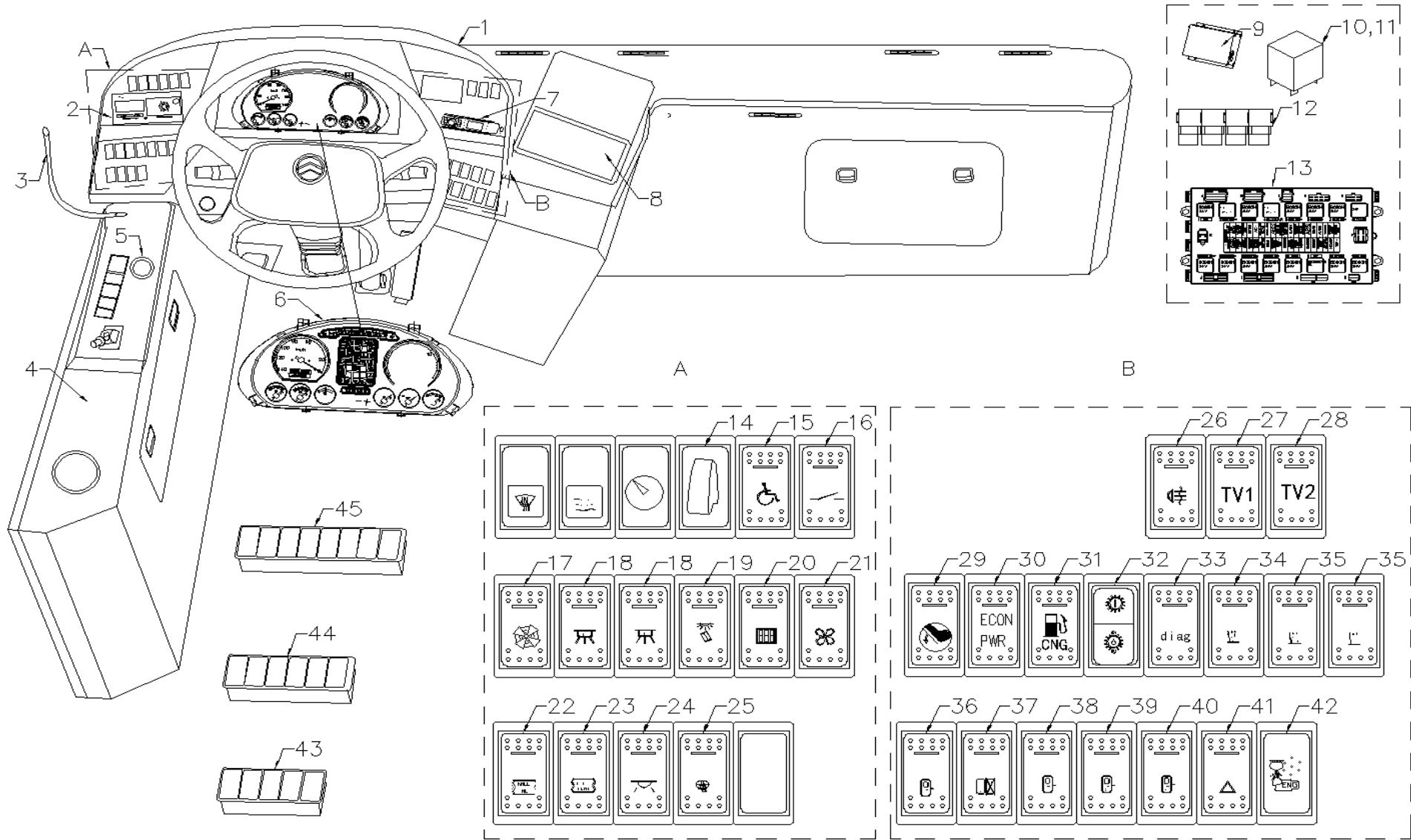
04-1 驾驶区布置 DRIVER COMPARTMENT



04-1 驾驶区布置 DRIVER COMPARTMENT

序号 S/N	件号 PART CODE	件名 PART NAME	英文件名 PART NAME	规格 SPEC	数量 QTY	备注 REMARK
1	TD-10G-EN	报站器	Bus station broadcaster		1	
2	6125A01-4104220	射灯	Spot light		2	
3	6125Y14-8201010-YYY	有杆带拉绳遮阳帘 (英)	Sun blinds		2	
4	8202100-A20	内后视镜 (曲面镜配 弯杆)	Internal rearview mirror		1	
5	CHC161A	电子钟	Electronic clock		1	
6	XY-06-65-A1	车用电风扇	Electronic fan		1	

04-2 前部仪表电器 ELECTRICAL APPARATUS, FRONT INSTRUMENTS PANEL



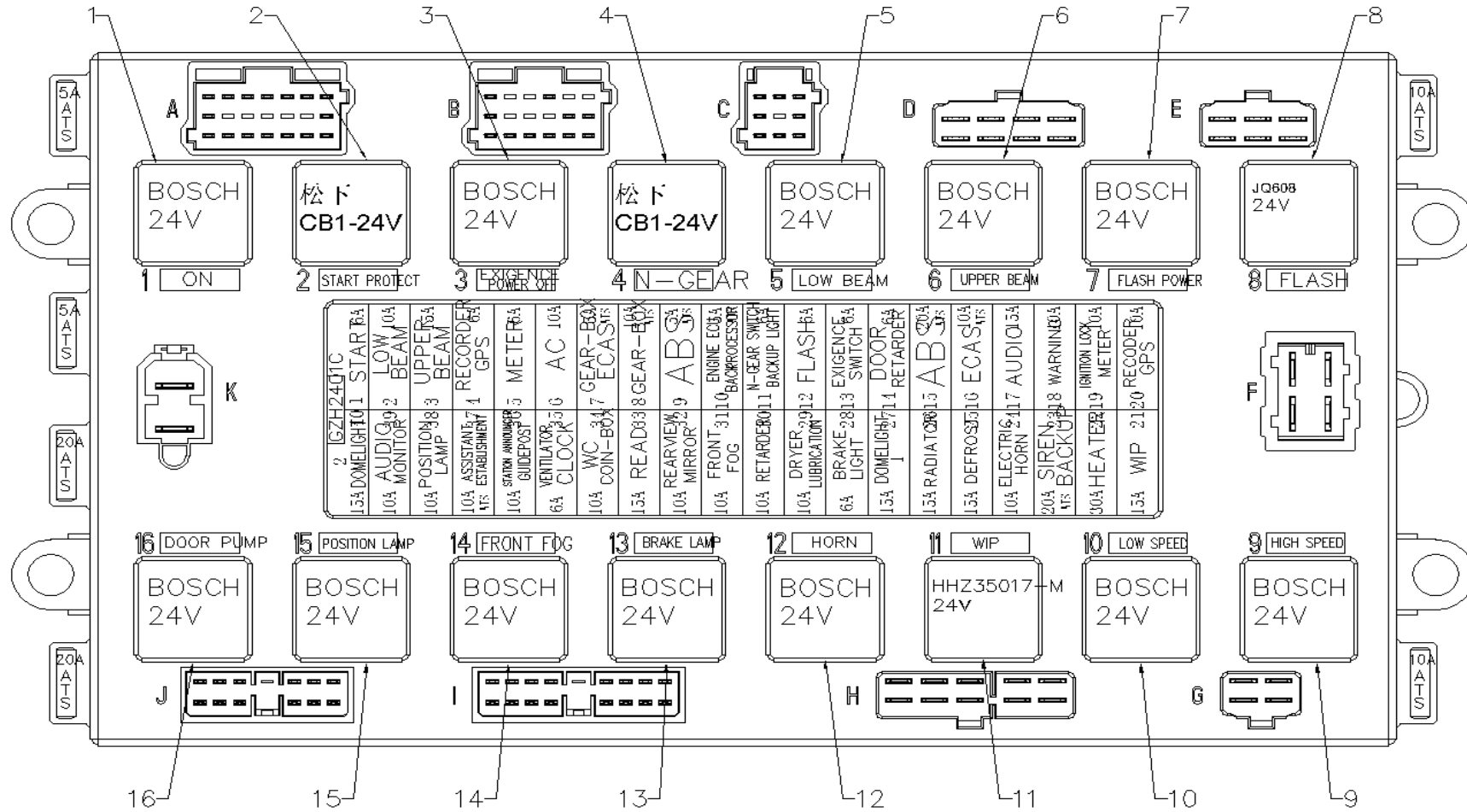
04-2 前部仪表电器 ELECTRICAL APPARATUS, FRONT INSTRUMENTS PANEL

序号 S/N	件号 PART CODE	件名 PART NAME	英文件名 PART NAME	规格 SPEC	数量 QTY	备注 REMARK
1	6125Y14-5306100	仪表台主台总成	Master instrument panel assy.		1	
2	DTC0-1381	VDO 数字记录仪	Digital recording equipment		1	
3	385-40008-01	鹅颈麦克风	Goose neck microphone		1	
4	6125Y12-5306200-CT07	仪表台副台总成	Sub instrument panel assembly		1	
5	6155Y02-3725210-12	点烟器固定座	Cigarette holder		2	
6	VD-ZB279E-CNGRS-2050	组合仪表	Combined instruments		1	
7	7908-900-C6A	单碟 DVD 系统	DVD single-disc DVD		1	
8	6125A12-3776400	彩色倒车监视器	Color reversing monitor		1	
9	1126-001E	高温报警器 (英语)	High temperature alarm		1	
10	0332209211	五角继电器	Five-pin relay		6	
11	JD2914-018	五角继电器	Quadrangle relay		4	
12	ZJ091	二极管组	Diode group		1	
13	6125Y07-3700100-R0	电控盒	ELECTRIC BOX		1	
14	MT203114	应急开关	Emergency exit switch		1	
15	6180Y01-3792432-DQ02	坡道板电源开关	Power switch,ramp plate		1	
16	6180Y01-3792431-DQ02	坡道板开关	Switch,ramp plate		1	
17	JK967-4.18-189	电风扇开关	Electric fan switch		1	
18	6125S3-3792120	日光灯开关	Fluorescence lamp switch		2	
19	6125S3-3792220	阅读灯开关	Reading lamp switch		1	
20	6845Y01-3972080	路牌开关	Signs switch		1	
21	6145A01-3792680	排气扇翘板开关	Rocker switch, exhaust fan		1	
22	6125S3-3793000	ECAS 正常高度开关	ECAS normal height indicator board		2	
23	6125S3-3792930	车身升降开关	Body lifting switch		1	
24	6125S3-3792010	夜行灯开关	Night lamp switch		1	
25	6125S3-3792690	后视镜除霜开关	Rearview mirror defrost switches		1	
26	6122A01-3792620	后雾灯开关	Foglight switch, rear		1	
27	6125S3-3792720	TV1 开关	TV switch		1	
28	6145A01-3792730	TV2 开关	TV2 switch		1	
29	6125S3-3792950	缓速器开关	Retarder switch		1	

30	JK967-AT-052	经济性、动力性选择开关	Economic performance selector switch		1	
31	JK967-18.67-189	CNG 电源开关	CNG power switch		1	
32	6180H01-3793150	变速箱故障/液力油温	The gearbox fault/hydraulic oil temperature		1	
33	6145A01-3712120	诊断翘板开关	Diagnosis rocker switch		1	
34	6845Y01-3792090	暖风开关	Heater switch		1	
35	6122A01-3792090	暖风开关	Heater switch		2	
36	JK967-4.1-067	门总翘板开关	Rocker switch ,door		1	
37	6125Y07-3793290	前门后页开关	Switch,after the front page		1	
38	6125S3-3792410	前门开关	Front door switch		1	
39	6125S3-3792430	中门开关	Middle door switch		1	
40	JK967-4.2B-067	后门翘板开关	Door switch,rear		1	
41	6937A16-3792130	危急告警开关	Emergency alarm switch		1	
42	ANL-004B1	灭火器手动启动及报警开关	Manually start the fire extinguisher and alarm switch		1	
43	6127A01-3792850	五联框	Quintuple frame		2	
44	6891-3750120	六联框	Sixfold frame		2	
45	6837A01-3792875	八联框架	Eight league framework		1	

6125Y07-3700100-R0

电控盒 ELECTRIC BOX



6125Y07-3700100-R0

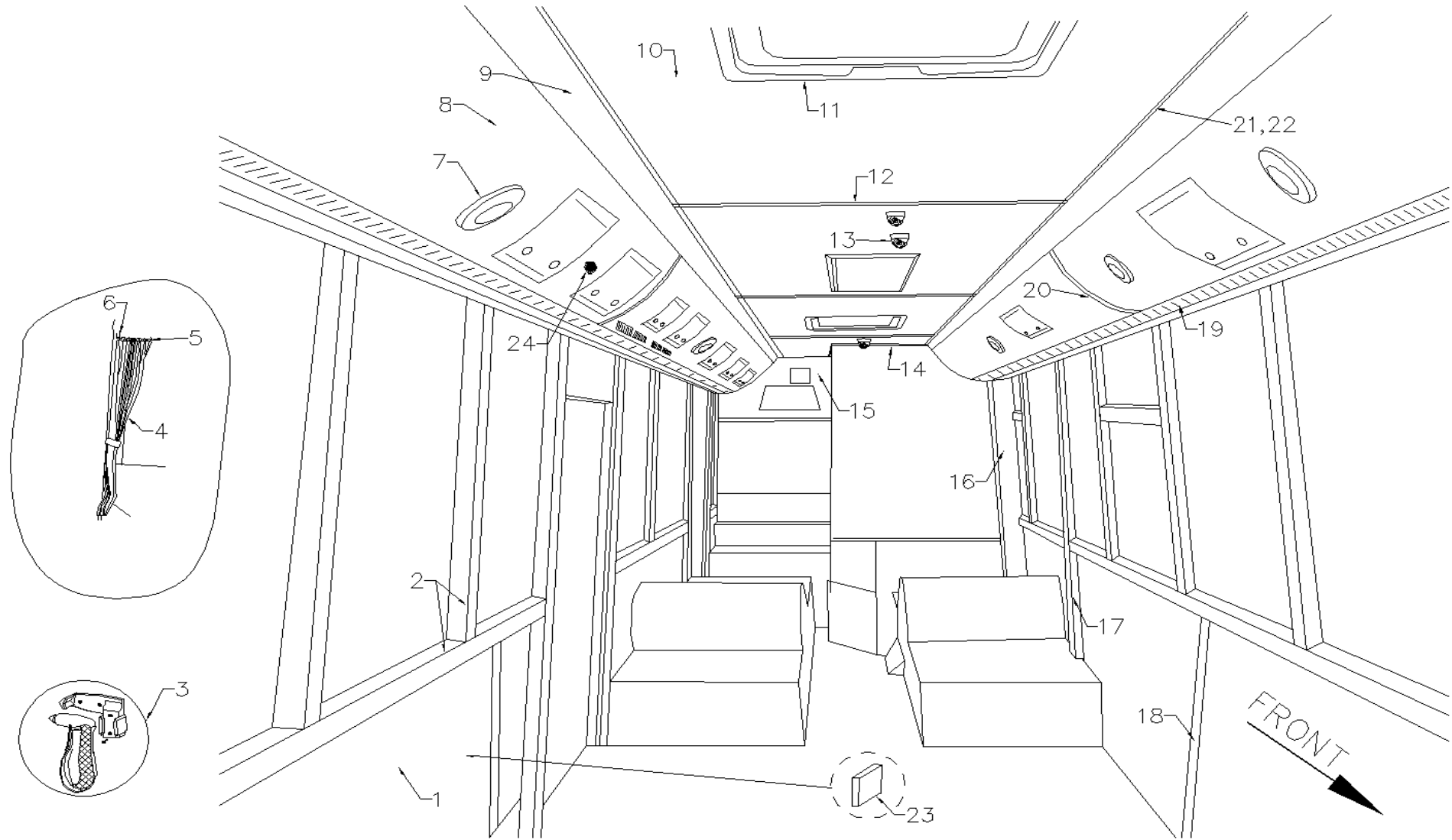
电控盒 ELECTRIC BOX

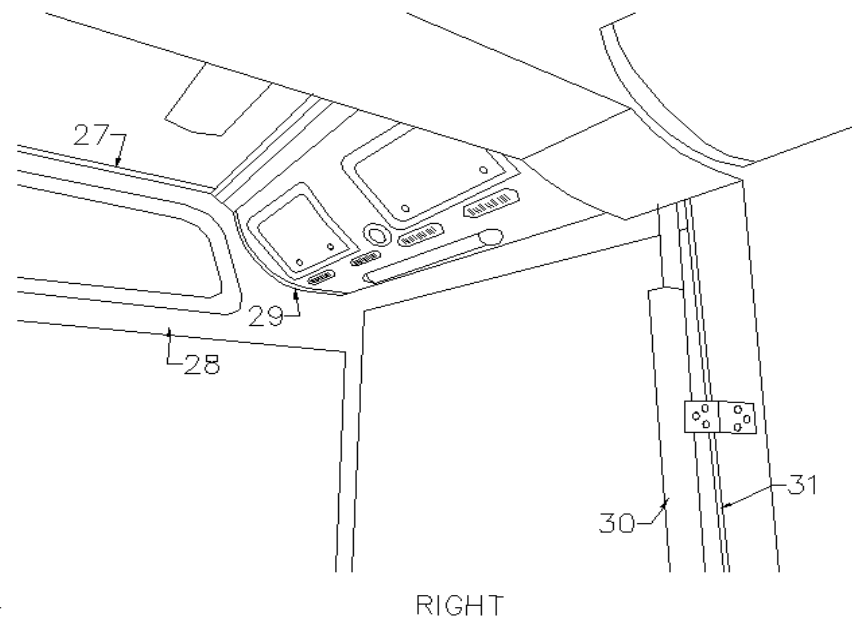
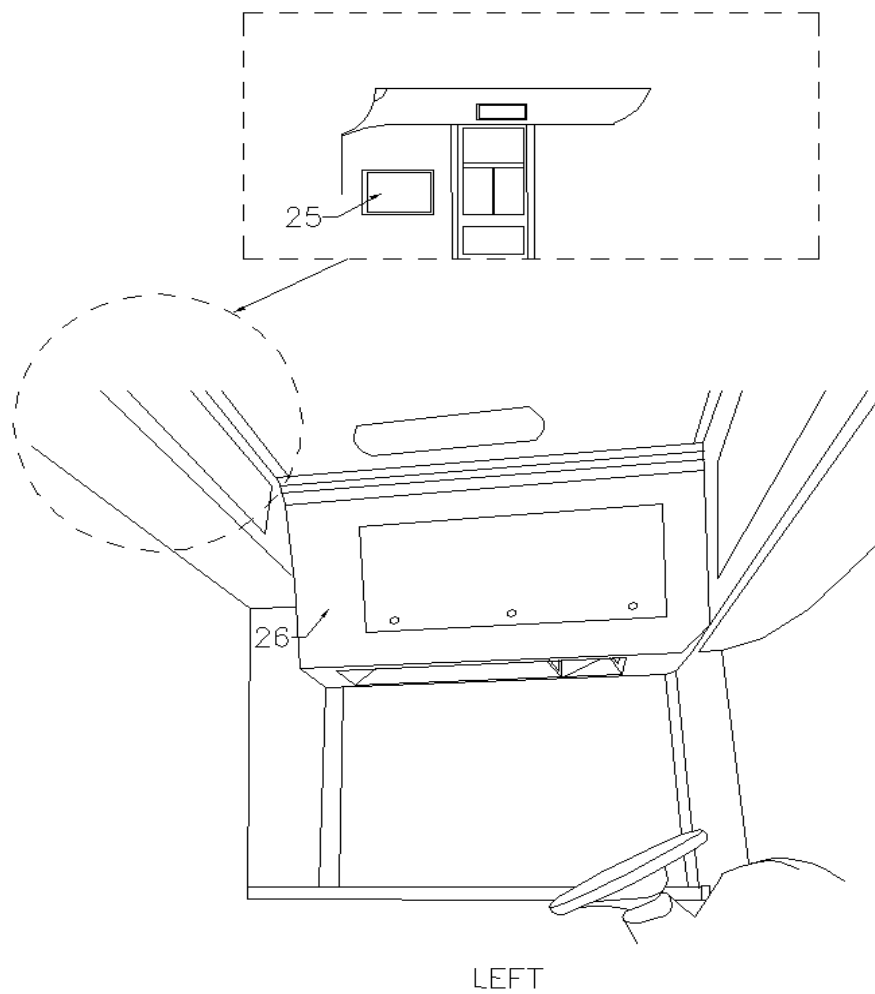
序号 S/N	件号 PART CODE	件名 PART NAME	英文件名 PART NAME	规格 SPEC	数量 QTY	备注 REMARK
1	BOSCH 24V	ON	ON		1	
2	松下 CB1-24V	START PROTECT	START PROTECT		1	
3	BOSCH 24V	EXIGENCE POWER OFF	EXIGENCE POWER OFF		1	
4	松下 CB1-24V	N-GEAR	N-GEAR		1	
5	BOSCH 24V	LOW BEAM	LOW BEAM		1	
6	BOSCH 24V	UPPER BEAM	UPPER BEAM		1	
7	BOSCH 24V	FLASH POWER	FLASH POWER		1	
8	JQ608 24V	FLASH	FLASH		1	
9	BOSCH 24V	HIGH SPEED	HIGH SPEED		1	
10	BOSCH 24V	LOW SPEED	LOW SPEED		1	
11	HHZ35017-M24V	WIP	WIP		1	
12	BOSCH 24V	HORN	HORN		1	
13	BOSCH 24V	BRAKE LAMP	BRAKE LAMP		1	
14	BOSCH 24V	FRONT FOG	FRONT FOG		1	
15	BOSCH 24V	POSITION LAMP	POSITION LAMP		1	
16	BOSCH 24V	DOOR PUMP	DOOR PUMP			

05 车辆内部 INTERIOR VEHICLE

**车辆内部
INTERIOR VEHICLE**

05-1 顶盖和侧围 TOP COVER&SIDE PANEL





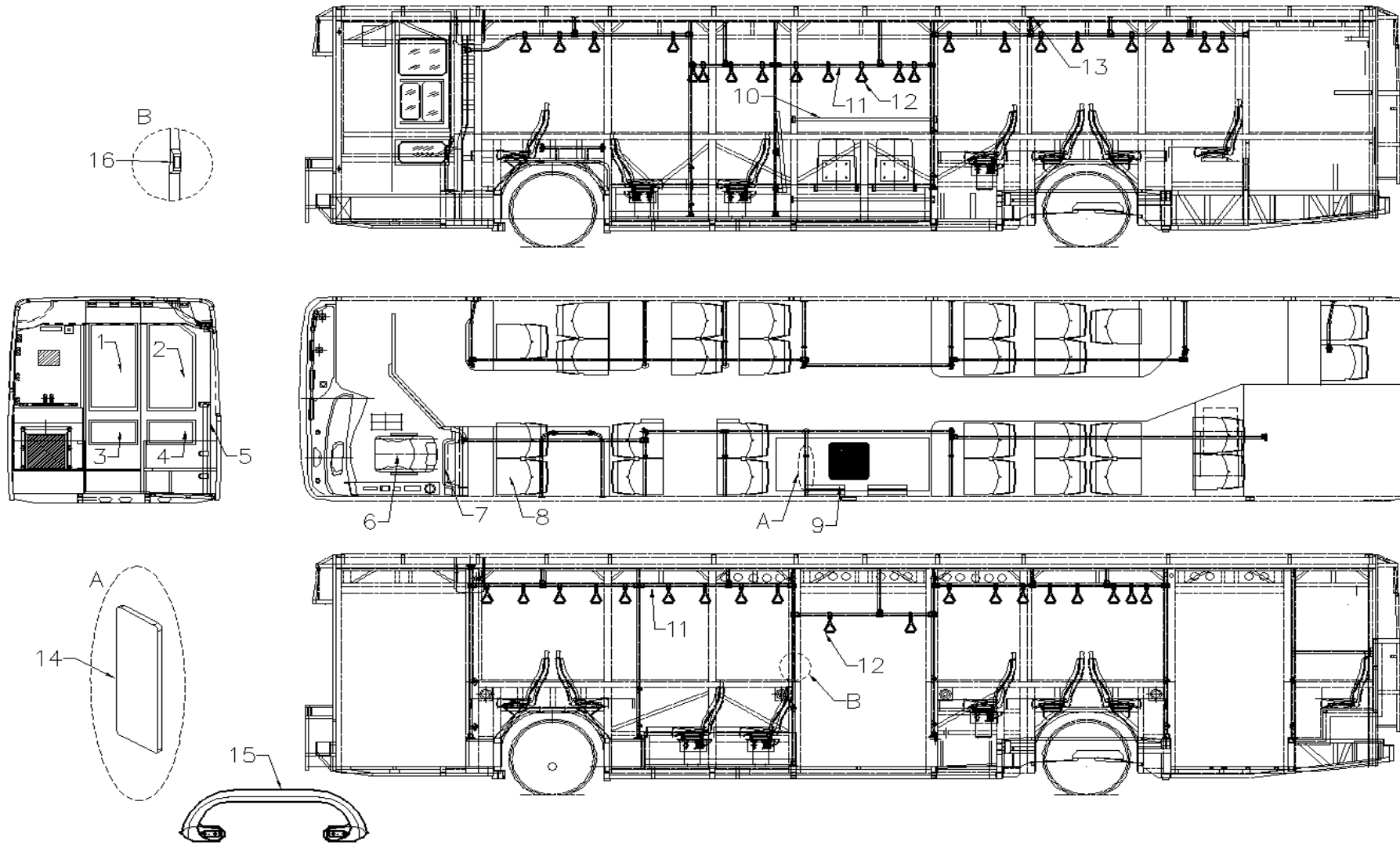
FRONT

05-1 顶盖和侧围 TOP COVER&SIDE PANEL

序号 S/N	件号 PART CODE	件名 PART NAME	英文件名 PART NAME	规格 SPEC	数量 QTY	备注 REMARK
1	NHB02-2440W1220-FK34	防火板覆深灰色皮革	Fireproof board		7	
2	6125Y14-5500200	整车包层柱总成	Cover		1	
3	CYC-002	安全锤	Safety hammer		5	
4	6125Y14-8201010-1	司机侧窗帘(布)	Curtain		1	
5	5702-026B0	窗帘滑槽端盖	End cover, sliding channel, curtain		2	
6	LXC1674A-6.3M	窗帘滑槽	Curtian channel		0.25	
7	YF1031-2WAY-8	音响喇叭	Audio speaker		6	
8	6125Y14-5709100	亚麻风道总成	Air duct assembly		1	
9	6125Y14-5709410	通道灯总成	Gangway lamp assembly		1	
10	6125Y14-5709400	中顶板总成	Mid roof panel assembly		1	
11	DS/910B-Y-H-A1	安全天窗 (不含中框, 英文, 深灰)	Skylight assy.		2	
12	L595	中顶压条	Molding strip, mid roof		3	
13	336.H3DKX-02C	摄像头	Camera		2	
14	LXC1655-DV19	顶板压条	Molding strip		2	
15	6125Y14-5709020	后顶总成	Rear roof assembly		1	
16	6125Y12-5500150-DV19	Z型过线罩	Cover		1	
17	6125Y14-5500110	过线罩	Wire cover		2	
18	LXC1645A-6M	铝型材工字压条	Strip		1	
19	6125Y14-5709420	出风口型材总成	Air outlet assembly		1	
20	6125Y08-5709430	风道连接压条	Strip		4	
21	5704-523-JD1	顶压条嵌条	Strip		2	
22	LXC2647A-5M	2647A 型材	2647A profile		0.3	
23	GRM53-1500X285	消音阻尼板	Damper plate		40	
24	JF-102N	车内控制应急断气阀	Emergency valve		3	
25	6125Y14-5709303	导乘牌	Guided by brand		1	
26	6125Y14-5709030	司机上方冷风道总成	Cooling air duct assy., above driver		1	
27	L550	压条	Strip		4	
28	6125Y14-5709010	前顶总成	Roof assy., front		1	

29	06241111502	公交风道与顶连接条	Bus air duct and roof connection		12	
30	MZBHZ-6125	门轴保护罩	Cover		5	
31	LXC2724A-6M	铝型材	Aluminum profile		4	

05-2 整车扶手及座椅总成 ARMREST&SEAT

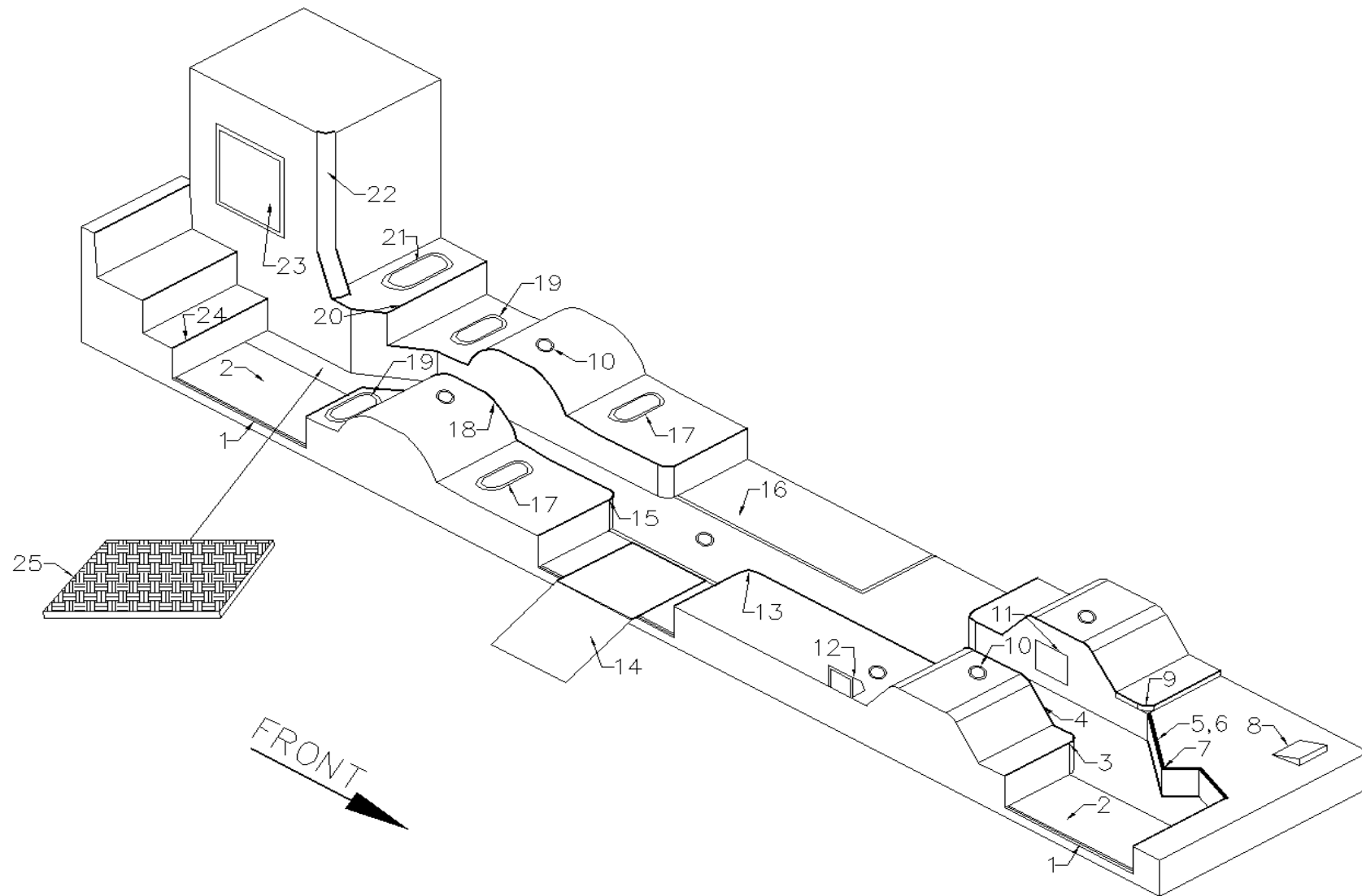


05-2 整车扶手及座椅总成 ARMREST&SEAT

序号 S/N	件号 PART CODE	件名 PART NAME	英文件名 PART NAME	规格 SPEC	数量 QTY	备注 REMARK
1	6125Y10-5305110-BY01	隔断玻璃一	Partition glass I		1	
2	6125Y10-5305120-BY01	隔断玻璃二	Partition glass II		1	
3	6125Y10-5305130-BY01	隔断玻璃三	Partition glass III		1	
4	6125Y10-5305140-BY01	隔断玻璃四	Partition glass IV		1	
5	6125Y10-5305210-BY01	隔断扶手	Partition armrest		1	
6	Q01-RF	绒布司机椅(暖风)	Driver seat,lint		1	
7	6125Y14-5305100	司机包围总成	Driver surround assembly		1	
8	6125Y14-7200100-FK36	整车乘客座椅	Passenger seat assy.		1	
9	JLZY-D6	D6 壁挂座椅	Seat		2	
10	6125Y05-5526120-EK01	轮椅区活动扶手	Wheelchair area armrest		1	
11	6125Y14-5526100-FK36	扶手总成	Armrest assembly		1	
12	6110UB1-7602404-GR	吊环	Lifting lug		26	
13	6115E01-5526991T	顶棚底座	Roof base		17	
14	6155Y01-7200210	靠背	Backrest		1	
15	6155Y01-5526330	优先座椅区扶手	Priority seating area.		1	
16	6155Y01-3819200-C2	STOP 按钮	STOP button		1	

05-3

地板革和检修盖 FLOOR COVERING & REPAIR HATCH



05-3

地板革和检修盖 FLOOR COVERING & REPAIR HATCH

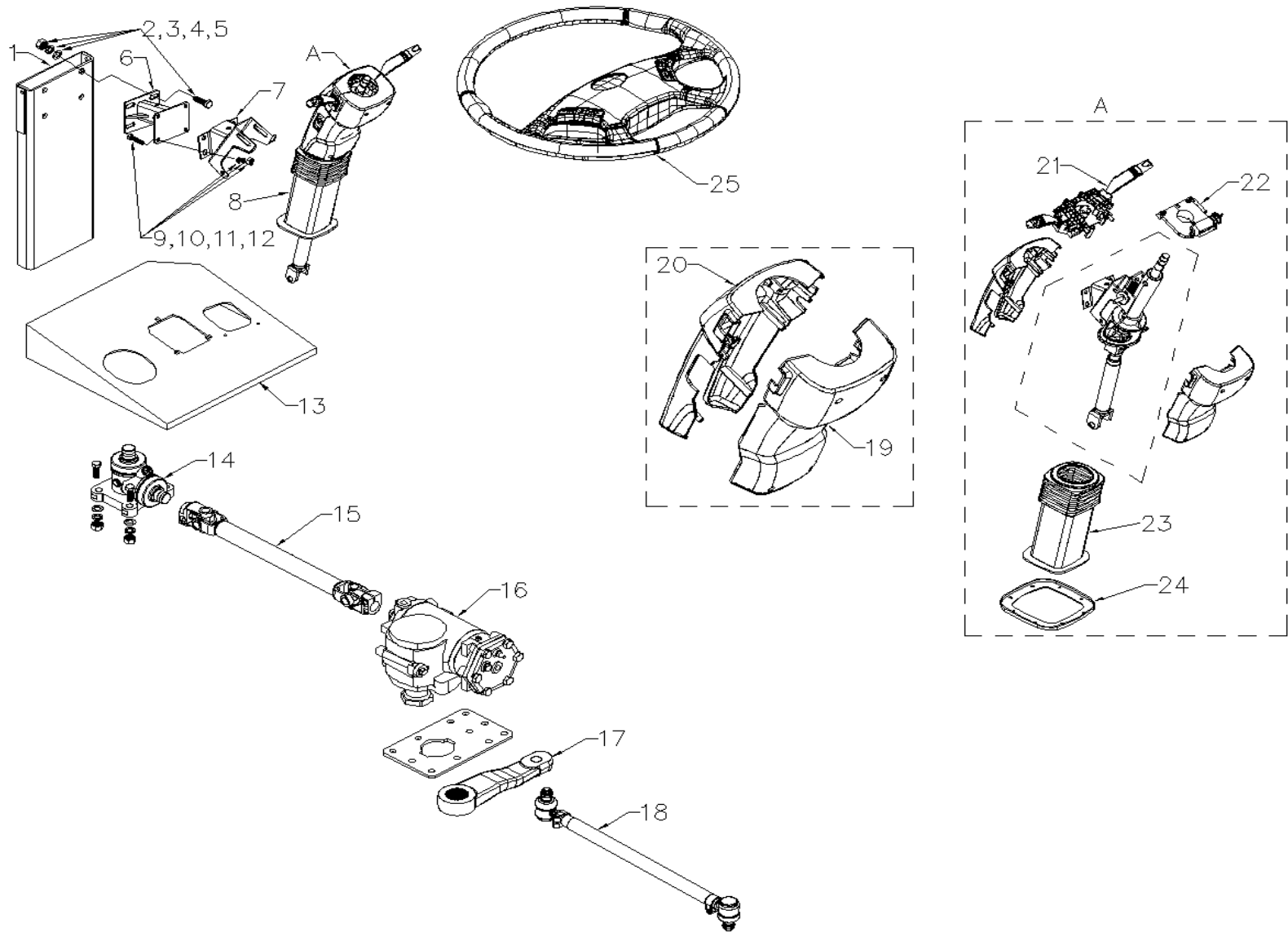
序号 S/N	件号 PART CODE	件名 PART NAME	英文件名 PART NAME	规格 SPEC	数量 QTY	备注 REMARK
1	SHL-LXC2720-6M	踏步压条	Moulding strip, step		1	
2	BY20-2321-20M850	黄色地板革	Floor covering		0.31	
3	6125Y08-5102311-FK31	前门后踏步铝压条	Aluminum molding strip		1	
4	6125Y08-5102313-FK31	前轮罩铝压条	Aluminum molding strip		2	
5	LXC2745-6M	2745 铝压条	Aluminum molding strip		8	
6	JTBB456	LXC2745 压条警示嵌条	Aluminum profile strip		40	
7	WZJGB-LXC2745	2745 铝型材外直角盖板	Aluminium extruded sections right angle cover board		1	
8	6125E01-5102011-A296	司机脚踏板	Pedal,driver		1	
9	6125Y08-5102312-FK31	司机后铝压条	Aluminum molding strip		1	
10	JXT190X17-BZ	检修筒	Repair access		5	
11	6125Y11-5107200-EK08	检修盖总成（骨架开口 400*250）	Access cover assembly		2	
12	6125Y14-5102100-FK36	加油口罩	Fuel filler cover		1	
13	6125Y08-5102314-FK31	右侧平台铝压条	Aluminum molding strip		1	
14	EWR-L1	电动坡板	Electric slope board		1	
15	6125Y08-5102316-FK31	中门后平台铝压条	Aluminum molding strip		1	
16	BY002-18M2M	灰色石英砂地板革	Floor covering		2.3	
17	6125Y14-5107200-FK36	检修盖总成（骨架开口 450*195）	Access cover assembly		2	
18	6125Y08-5102319-FK31	后轮罩铝压条	Aluminum molding strip		2	
19	6125Y14-5107100-FK36	检修盖总成（骨架开口 450*250）	Access cover assembly		2	
20	6125Y08-5102318-FK31	变速箱上台阶铝压条	Aluminum molding strip		1	
21	6125Y14-5107300-FK36	检修盖总成（骨架开口 500*300）	Access cover assembly		1	
22	6125Y14-5101200-FK36	圆角型材	Rounded profiles		1	
23	6125Y14-5107400-FK36	发动机舱立面检修盖总 成（骨架开口 900*730）	Access cover assembly		1	
24	6125Y08-5102317-FK31	后桥后铝压条	Aluminum molding strip		1	
25	ZJB15-2440X1220-XHM	竹筋板	Bamboo reinforcement plate		12	

06 转向系统 STEERING SYSTEM

转向系统
STEERING SYSTEM

06-1

转向系统布置 STEERING SYSTEM

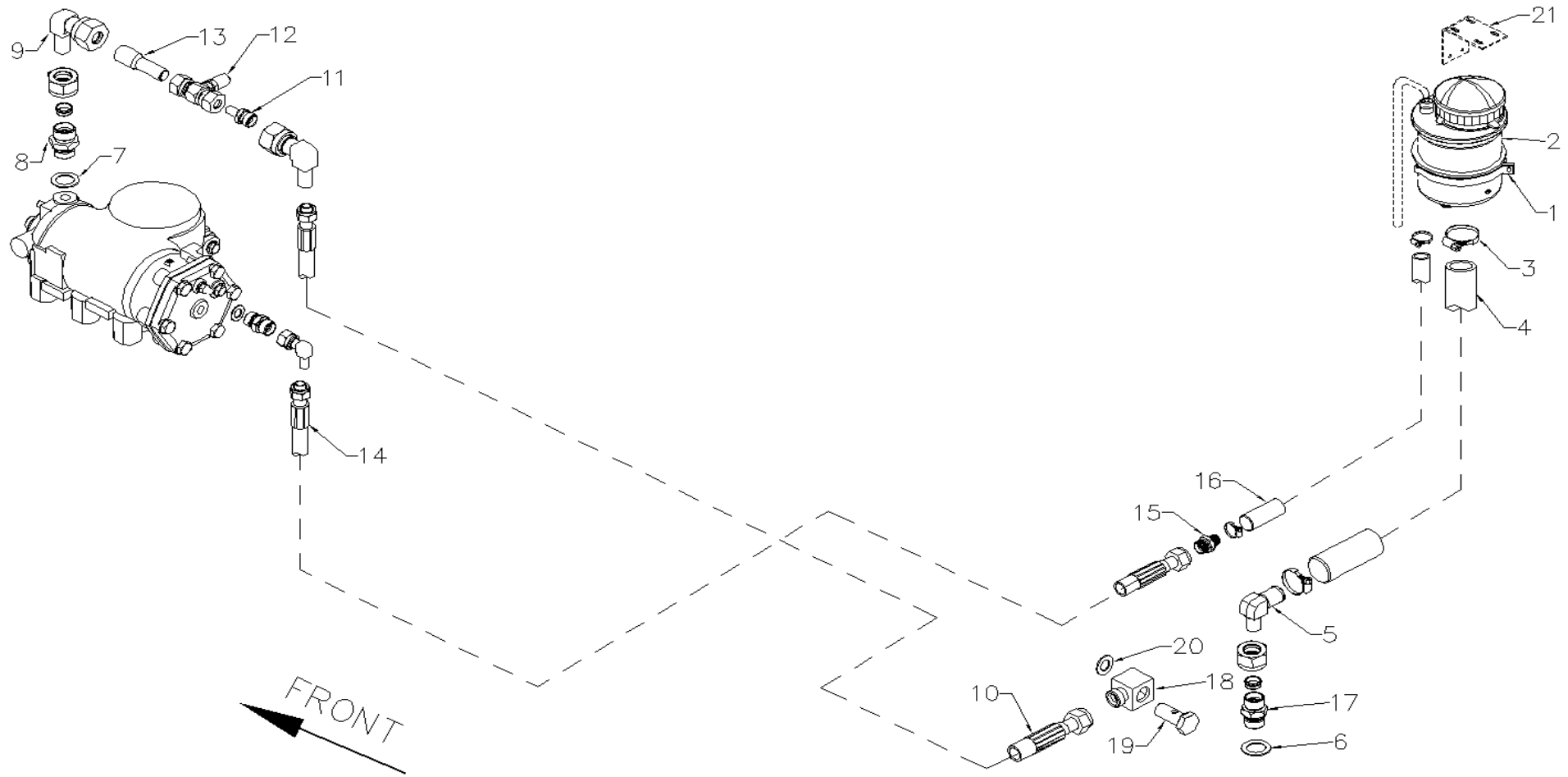


06-1 转向系统布置 STEERING SYSTEM

序号 S/N	件号 PART CODE	件名 PART NAME	英文件名 PART NAME	规格 SPEC	数量 QTY	备注 REMARK
1	6115E06-3402025	前立板	Front vertical plate		1	
2	Q150B1235	六角头螺栓	Hex bolt		4	不零售 Not retail
3	Q40112	平垫	Plane washer		4	不零售 Not retail
4	Q40312	弹簧垫圈	Spring washer		4	不零售 Not retail
5	Q340B12	1型六角螺母	Nut		4	不零售 Not retail
6	6125Y13-3402501	管柱安装梁	Mounting bracket, column		1	
7	3402-303-B5F-B1	调节支架	Adjusting bracket		1	
8	6155E01-3402100	方向管柱总成	Steering transmission device		1	
9	Q150B1040	螺栓	Bolt		4	不零售 Not retail
10	Q40110	平垫圈	Spring washer		4	不零售 Not retail
11	Q40310	弹簧垫圈	Spring washer		4	不零售 Not retail
12	Q340B10	螺母	Nut		4	不零售 Not retail
13	6125G11-3402024	前地板	Front floor		1	
14	7860955910	角转向器	Angle transmission		1	
15	6125G10-3401120	转向传动轴总成	Steering drive shaft assembly		1	
16	8098957112	方向机	Steering gear		1	
17	6125G10-3401011	转向垂臂	Steering pitman arm		1	
18	6125V05-3401010-BZ02	前直拉杆总成	Drag-link assembly, front		1	
19	SC05-03002	后外罩	Outer house,rear		1	
20	SC05-03001	前外罩	Outer house,front		1	
21	6155Y01-3774100	组合开关总成	Combination switch assembly		1	
22	6937A16-3704100	点火开关总成	Ignition switch assy		1	
23	3402-301-B5F	橡胶防尘罩	Dust boot, rubber		1	
24	SC02-0305-A	防尘罩压环	Compression ring, dust boot		1	
25	HFL1-6049-0000	方向盘总成	Steering wheel		1	

06-2

转向操纵助力管路 STEERING OPERATION BOOSTING PIPELINE



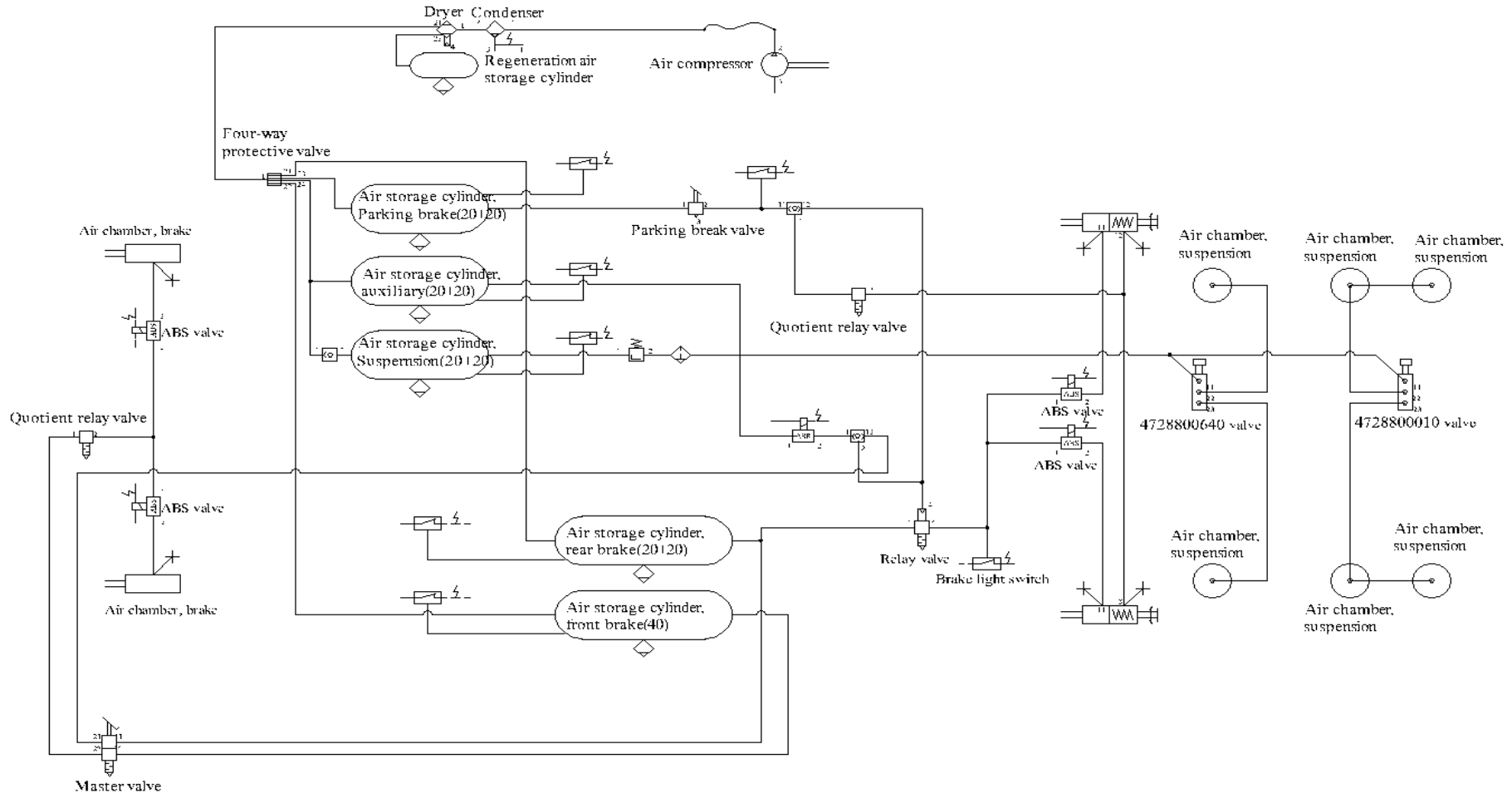
06-2 转向操纵助力管路 STEERING OPERATION BOOSTING PIPELINE

序号 S/N	件号 PART CODE	件名 PART NAME	英文件名 PART NAME	规格 SPEC	数量 QTY	备注 REMARK
1	6155E01-3406011	动力转向油罐抱箍	Clamp, oil can, steering assistant		1	
2	7636472523	ZF 动力转向油壶 (带液位传感器)	Filter element, power steering oil tank		1	
3	Q67522	卡箍	Clamp		2	不零售 Not retail
4	FYNYJG22X5	负压耐油胶管	Tube, oil-resist, pressure resist		1	
5	ZJKT-18-22	直角可调向接头	Adjustable elbow connector		2	
6	JB982-27	组合垫 M27	Sealing washer		1	
7	JB982-16	密封垫	Sealing washer		1	不零售 Not retail
8	XML3425301N9F0	转向油泵出油口接头体	Straight thread connector	M16x1.5-G14	1	不零售 Not retail
9	GB3752.1-G14	卡套直角接头	Straight thread elbow connector		1	不零售 Not retail
10	ZXGY13-14-12500	聚脂管总成	High pressure oil pipeline, power steering		1	
11	6155E01-3406502	排气阀过渡接头	Transition connector, drain valve		1	
12	Y1-910-07-00-010	排气阀	Drain valve		1	
13	6125G11-3406211	排气阀过渡接头	Transition connector, drain valve		1	
14	ZXDY13-14-13000	动力转向低压油管	Low pressure oil pipeline, power steering		1	
15	ZTJT-M20-16A	直通接头	Through connector		1	
16	FYNYJG16X5	负压耐油胶管 16×5	Hose, oil-resist, pressure resist 14*4		1	不零售 Not retail
17	XML3425201K4F0	油泵进油口过渡接头	Connector	M27x1.5-G18	1	
18	Q81714	卡铰接头	Connector		2	
19	Q81818	卡铰接螺栓	Bolt		2	
20	JB1002-18	紫铜垫	Washer		1	
21	6125Y27-3406012-FK36	转向油壶安装架	Bracket		1	

09 制动系统 BRAKE SYSTEM

**制动系统
BRAKE SYSTEM**

09-1 制动原理图 SCHEMATIC DIAGRAM, BRAKE



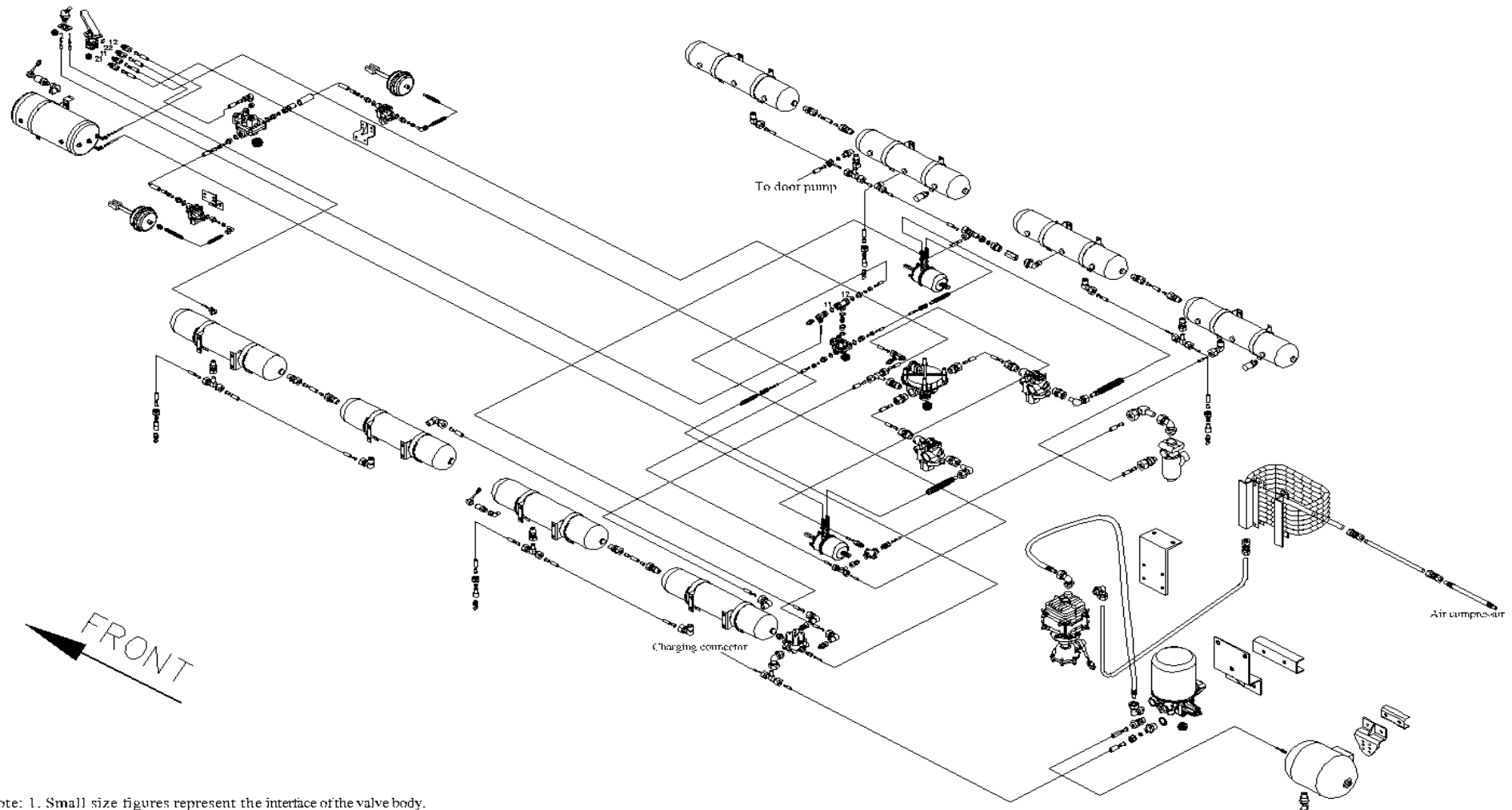
Note: Small size figures represent the interface of the valve body.

09-1 制动原理图 SCHEMATIC DIAGRAM, BRAKE

序号 S/N	件号 PART CODE	件名 PART NAME	英文件名 PART NAME	规格 SPEC	数量 QTY	备注 REMARK
0	6125Y27-3500001-FK36	制动系统原理图	Schematic diagram, brake		1	

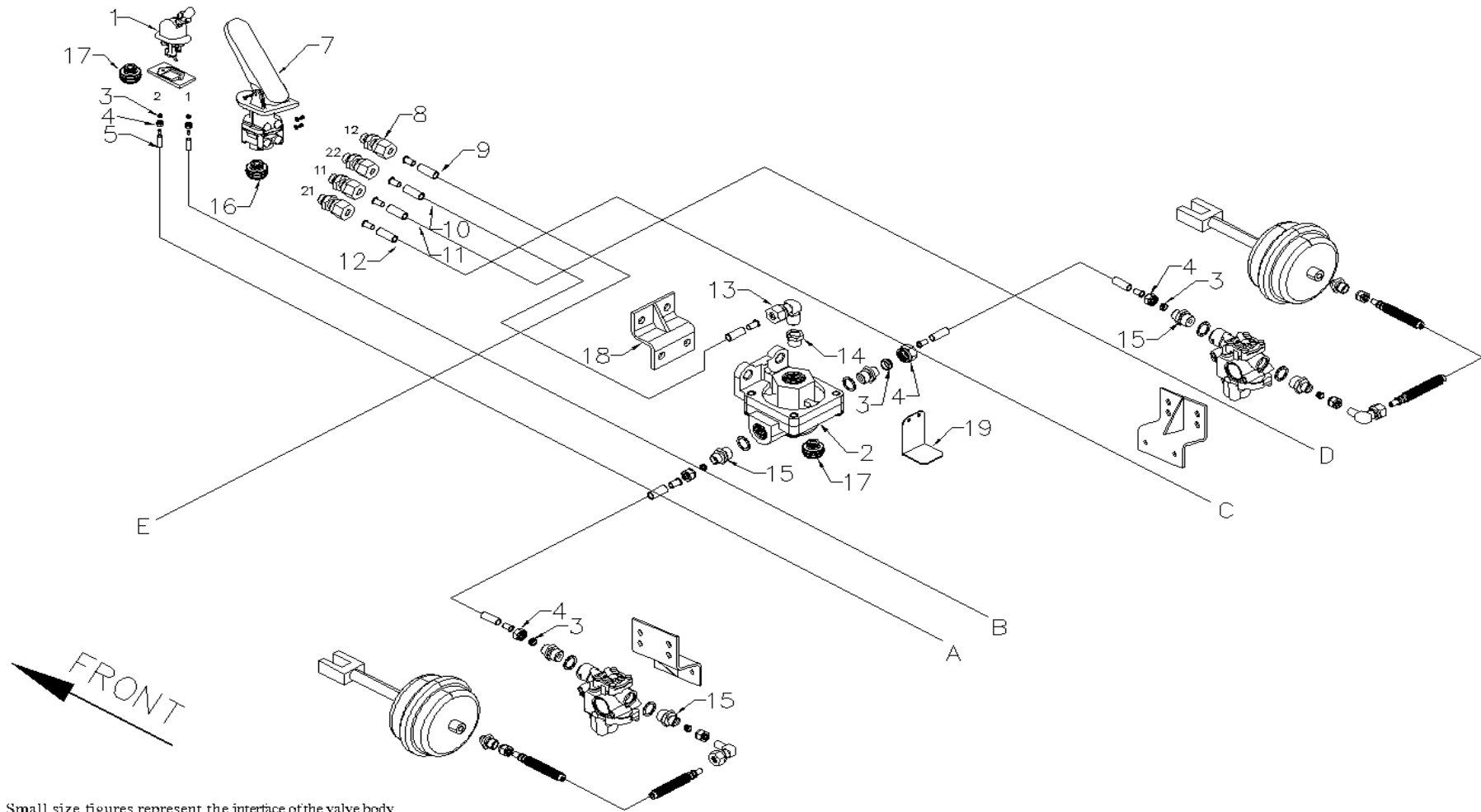
09-2

制动管路系统 ARRANGEMENT DIAGRAM, BRAKE



- Note: 1. Small size figures represent the interface of the valve body.
 2. The part codes of bushing for pall tube are CT4; CT6; CT9.
 3. The part codes of seal ring for connector are JB982-10; JB982-12; JB982-14; JB982-16; JB982-22.

09-2-1 控制及前刹部分 CONTROL AND FRONT BRAKE



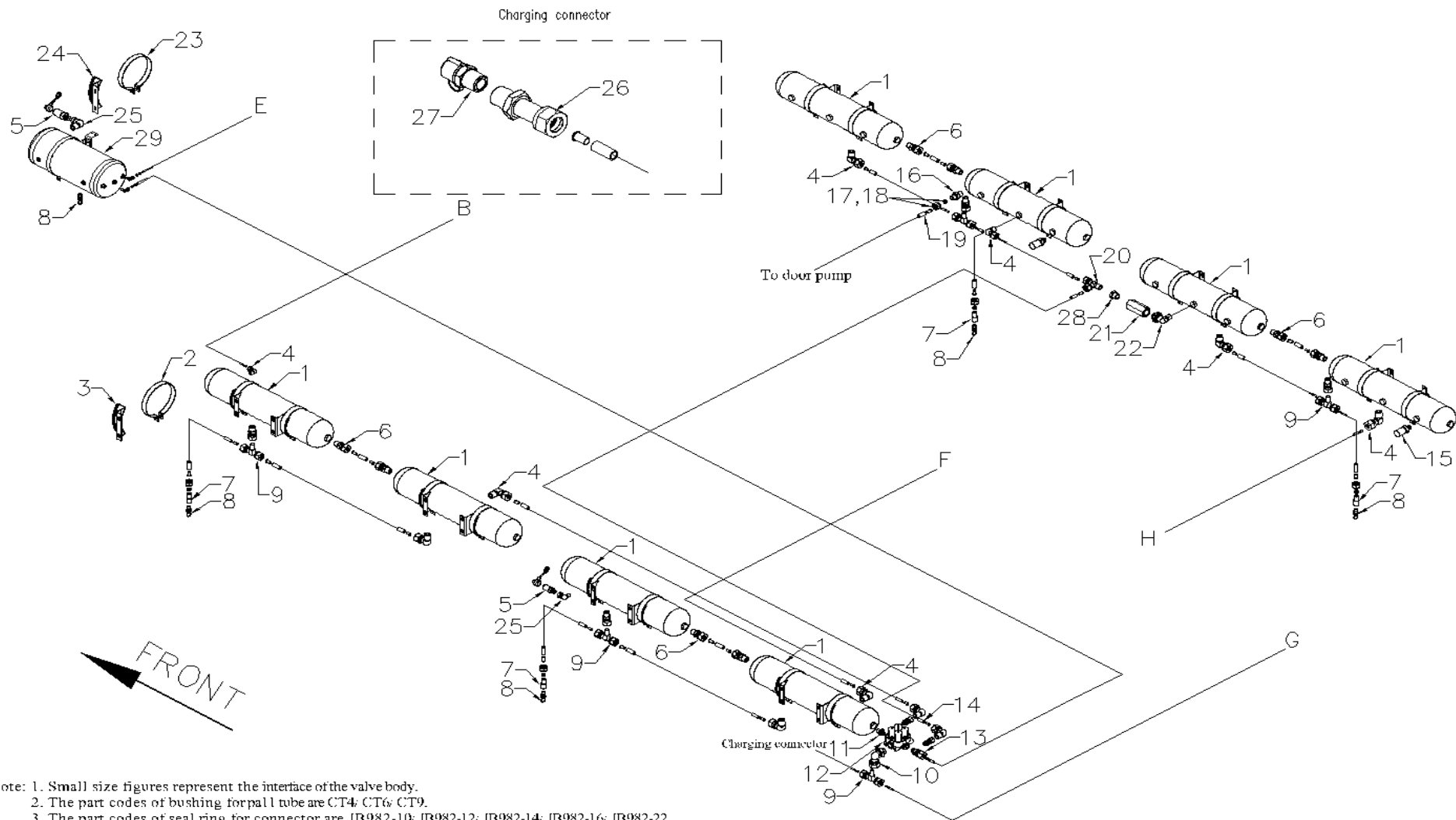
- Note: 1. Small size figures represent the interface of the valve body.
 2. The part codes of bushing for ball tube are CT4; CT6; CT9.
 3. The part codes of seal ring for connector are JB982-10; JB982-12; JB982-14; JB982-16; JB982-22.

09-2-1 控制及前刹部分 CONTROL AND FRONT BRAKE

序号 S/N	件号 PART CODE	件名 PART NAME	英文件名 PART NAME	规格 SPEC	数量 QTY	备注 REMARK
1	4613180710	制动总阀	Master valve		1	
2	9735000000	快放阀总成	Quick release valve		1	
3	GB3764-12	卡套	Thread		9	不零售 Not retail
4	GB3759-G12	螺母	Nut		9	不零售 Not retail
5	PAG12X1.5-R	Pa11 管(红色)12X1.5	Pa11 tube (red)12*1.5	米 Meter	5	不零售 Not retail
6	PAG12X1.5-Y	Pa11 管(黄色)12X1.5	Pa11 tube (yellow)12*1.5	米 Meter	8	不零售 Not retail
7	9617230380	驻车制动阀总成	Hand brake valve		1	
8	GB3733.1-G12	卡端直通接头	Straight connector, bite-type end		4	不零售 Not retail
9	PAG12X1.5-C	Pa11 管(草绿色)12X1.5	Pa11 tube (grass green)12*1.5	米 Meter	15.5	不零售 Not retail
10	PAG12X1.5-H	Pa11 管(褐色)12X1.5	Pa11 tube (brown)12*1.5	米 Meter	18.5	不零售 Not retail
11	PAG12X1.5-L	Pa11 管(兰色)12X1.5	Pa11 tube (blue)12*1.5	米 Meter	15.5	不零售 Not retail
12	PAG12X1.5-B	Pa11 管(白色)12X1.5	Pa11 tube (white)12*1.5	米 Meter	19	不零售 Not retail
13	Q/108.1-12/3/8	卡锥直角接头	Straight thread elbow connector		1	
14	6100A-3500184	过渡接头	Transition connector		1	
15	6100A-3500351	PVC 阀接头	Connector, PVC valve		6	不零售 Not retail
16	4324070700	消声器	Silencer		1	
17	4324070600	消声器	Silencer		2	
18	6121C01-3500051	前快放阀支架	Bracket, quick release valve		1	
19	6125V10-3516010	快放阀安装支架	Bracket, quick release valve		1	

09-2-2

储气筒及四保阀部分 AIR CYLINDER AND 4-WAY PROTECTIVE VALVE



- Note: 1. Small size figures represent the interface of the valve body.
 2. The part codes of bushing for all tube are CT4; CT6; CT9.
 3. The part codes of seal ring for connector are JB982-10; JB982-12; JB982-14; JB982-16; JB982-22.

09-2-2

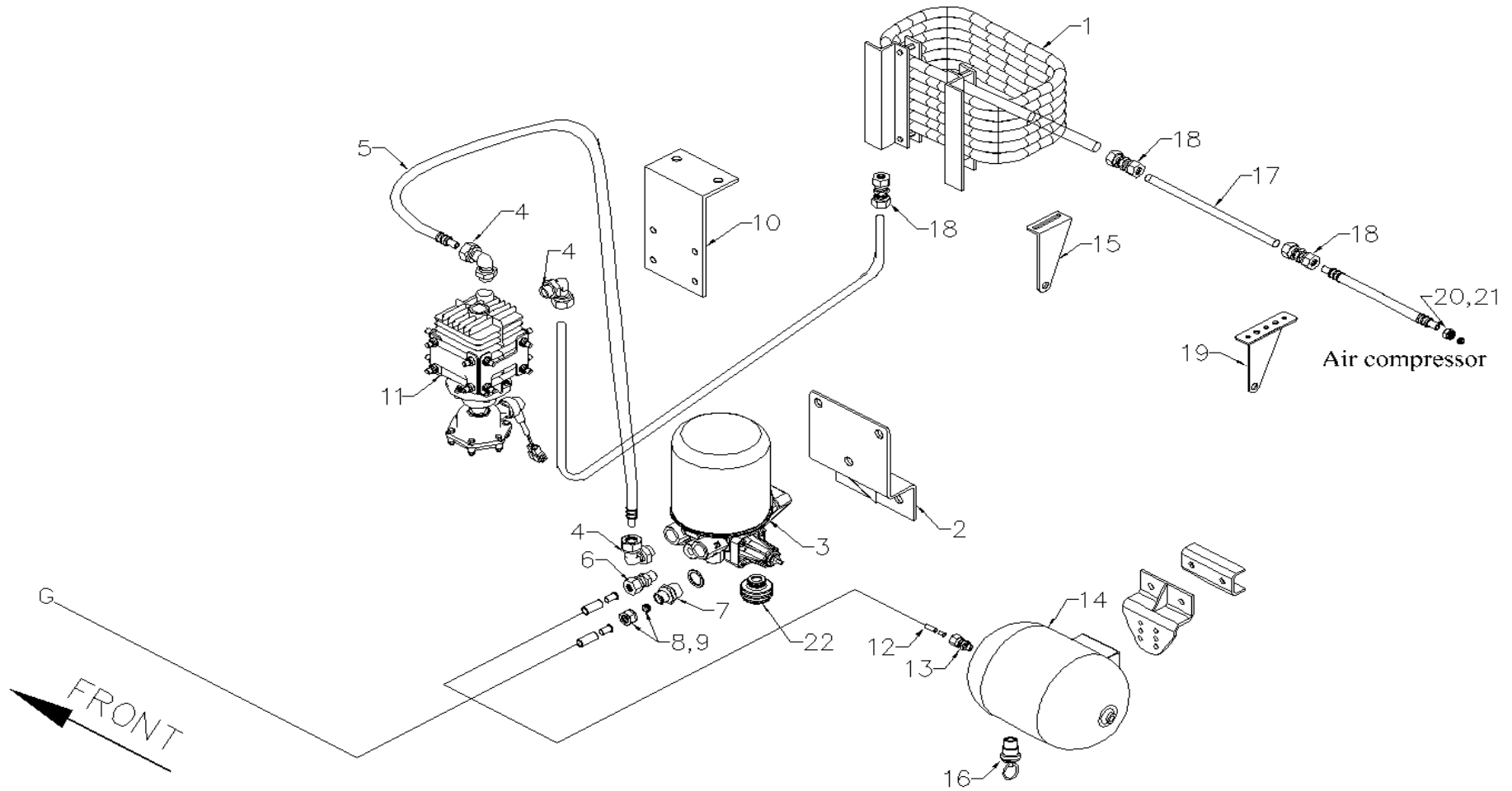
储气筒及四保阀部分 AIR CYLINDER AND 4-WAY PROTECTIVE VALVE

序号 S/N	件号 PART CODE	件名 PART NAME	英文件名 PART NAME	规格 SPEC	数量 QTY	备注 REMARK
1	6125Y11-3513120	储气筒总成 (20L)	Air cylinder		8	
2	6125Y12-3513140	储气筒抱箍	Clamp, air cylinder		16	
3	6125Y12-3513130	储气筒抱箍支架	Bracket, air cylinder		16	
4	Q/108.1-12/3/8	卡锥直角接头	Straight thread elbow connector		10	不零售 Not retail
5	3QG251K5	气压传感器	Air pressure sensor		2	
6	Q/103.1-12/3/8	卡锥直通接头	Straight thread connector		11	不零售 Not retail
7	3500-912-JW1	放水阀接头体	Connector, water drain valve		4	不零售 Not retail
8	35360010060	手动放水阀	Water drain valve, air cylinder		6	
9	GB3753.1-G12	卡套式组合三通	Combined thread three-way pipe		4	不零售 Not retail
10	WT001	弯二通	Straight adjustable thread elbow connector		1	不零售 Not retail
11	6860E01-3506772	四保阀接头体	Connector body, 4-way protective valve		4	不零售 Not retail
12	9347141100	四回路保护阀	4-way protective valve		1	
13	GB3733.1-G12	卡套式端直通管接头	Straight connector, bite-type end		4	不零售 Not retail
14	PAG12X1.5	Pa11 管(黑色)12*1.5	Pa11 tube (black) 12*1.5		37	
15	6716A01-3820610	气压开关	Air pressure switch		1	
16	XML3500251N5F0	储气筒门泵接头	Connector, door pump		1	不零售 Not retail
17	GB3759-G8	卡套螺母	Nut		1	不零售 Not retail
18	GB3764-8	卡套	Thread		1	不零售 Not retail
19	PAG8X1	Pa11 管(黑色)8*1	Pa11 tube 8*1		6	
20	Q/112.1-12/3/8	卡锥三通接头	Conical thread 3-way connector		1	不零售 Not retail
21	AZ9100360310	单向阀	One - way valve		1	
22	NPT3/8-M22X1.5-L	直角接头	Connector		1	不零售 Not retail
23	6100A2-3500101	储气筒抱箍	Clamp, air cylinder		2	
24	6100A2-3500102	储气筒抱箍支架	Bracket, air cylinder		2	
25	6127A01-3513013	气压传感器直角过渡接头	Transition connector, air pressure sensor		2	
26	6845Y04-3506310	充气过渡接头	Transition connector, air taking		2	不零售 Not retail

27	35AD-06510	取气接头	Air take connector		2	不零售 Not retail
28	6100A-3500184	过渡接头	Transition connector		1	不零售 Not retail
29	6125Y18-3513035	储气筒总成 (40 升)	Air cylinder		1	

09-2-3

气源部分 AIR SUPPLY



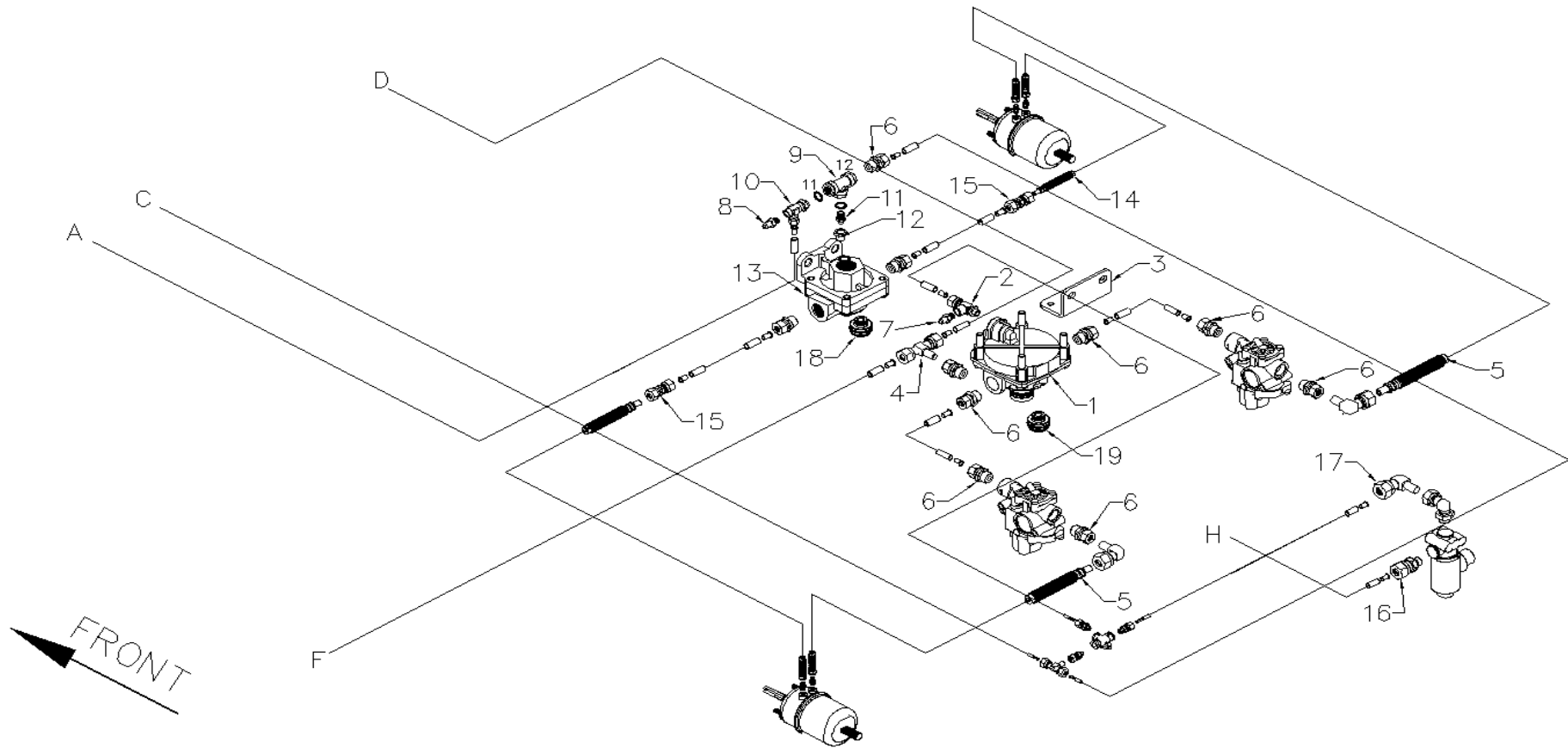
- Note: 1. Small size figures represent the interface of the valve body.
 2. The part codes of bushing for pall tube are CT4; CT6; CT9.
 3. The part codes of seal ring for connector are JB982-10; JB982-12; JB982-14; JB982-16; JB982-22.

09-2-3 气源部分 AIR SUPPLY

序号 S/N	件号 PART CODE	件名 PART NAME	英文件名 PART NAME	规格 SPEC	数量 QTY	备注 REMARK
1	6125Y26-3506102-FK31	气源散热铜管总成	Copper pipe		1	
2	6125M01-3555020	干燥器支架	Bracket, air dryer		1	
3	4324100940	空气干燥器	Air dryer		1	
4	BOLM16-M22	卡套式可调向接头	Straight adjustable thread elbow connector		3	不零售 Not retail
5	GWG16-600	高温管	High temperature pipe		1	
6	6100A-3500212	空气干燥器接头体	Connector, air dryer		1	不零售 Not retail
7	6100A-3500351	PVC 阀接头	Connector, PVC valve		1	不零售 Not retail
8	GB3759-G12	螺母	Nut		1	不零售 Not retail
9	GB3764-12	卡套	Thread		1	不零售 Not retail
10	6115E11-3566010-BY33	冷凝器固定支架	Bracket, condenser		1	
11	WA-3511060	冷凝器	Condenser		1	
12	PAG6X1.5	Pa11 管(黑色)6X1	Pall tube 6*1	米 Meter	1	不零售 Not retail
13	GB3733.1-G6	卡套式端直通管接头	Straight connector, bite-type end		1	不零售 Not retail
14	6125Y18-3500045	再生储气罐	Regeneration air reservoir		1	
15	XML3500185G6F0	出气铜管固定板	Bracket, copper pipe, air supply		1	
16	35360010060	手动放水阀	Water drain valve, air cyinder		1	
17	6125Y26-3506101-FK31	气源铜管一	Copper pipe, air supply		1	
18	GB3737.1-G16	卡套式直通接头	Straight thread connector		3	不零售 Not retail
19	11R117-3500185	进气固定板	Bracket, copper pipe, air supply		1	
20	GB3759-G16	螺母	Nut		1	不零售 Not retail
21	GB3764-16	卡套	Thread		1	不零售 Not retail
22	4324070700	消声器	Muffler		1	

09-2-4

后刹及驻车部分 REAR BRAKE AND PARKING BRAKE



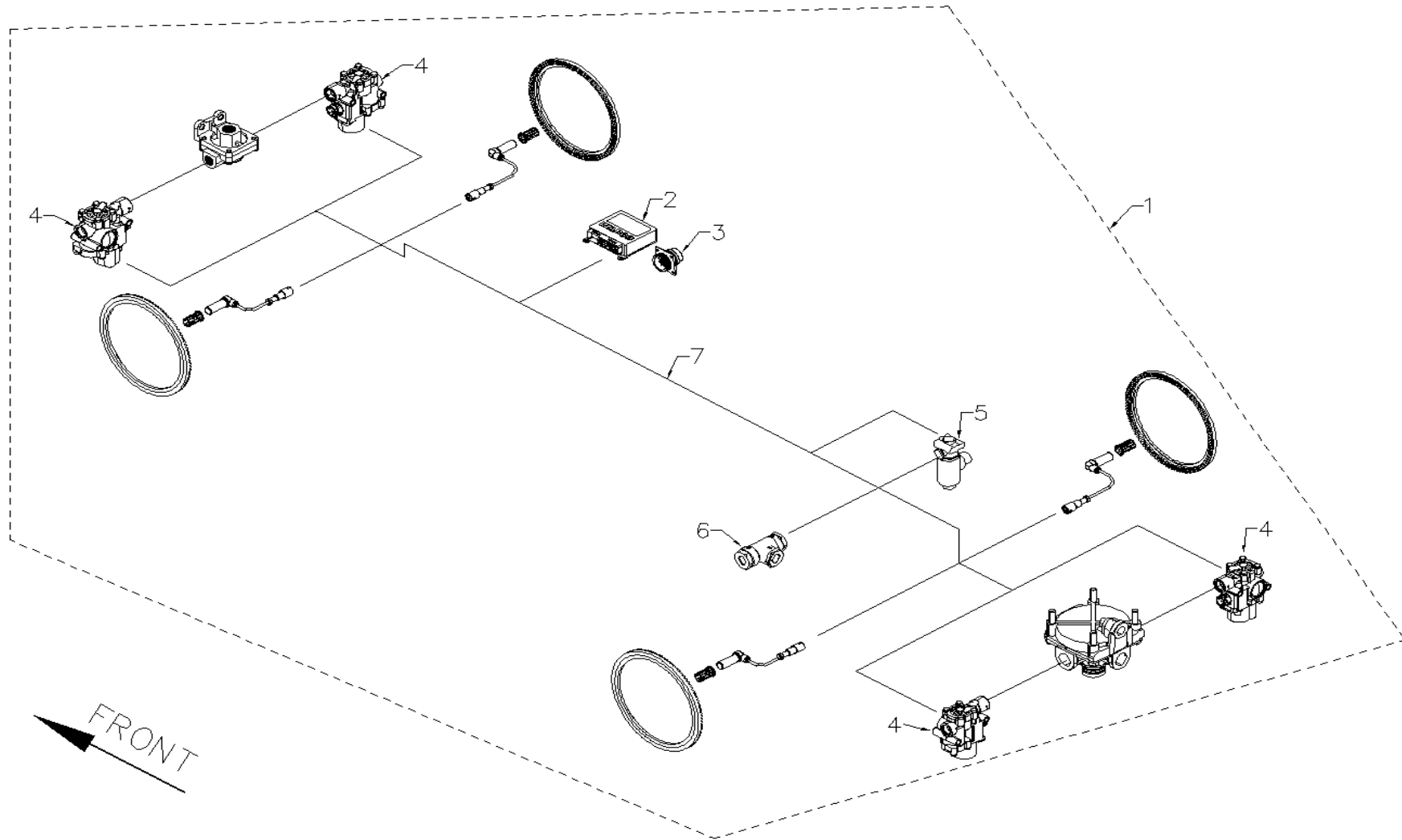
- Note: 1. Small size figures represent the interface of the valve body.
 2. The part codes of bushing for pall tube are CT4; CT6; CT9.
 3. The part codes of seal ring for connector are JB982-10; JB982-12; JB982-14; JB982-16; JB982-22.

09-2-4

后刹及驻车部分 REAR BRAKE AND PARKING BRAKE

序号 S/N	件号 PART CODE	件名 PART NAME	英文件名 PART NAME	规格 SPEC	数量 QTY	备注 REMARK
1	9730110010	继动阀总成	Relay valve assembly		1	
2	6121J02-3506040	测试过渡接头	Test transition connector		1	
3	6115E11-3518011	继动阀支架	Bracket, relay valve assembly		1	
4	GB3753.1-G12	卡套式组合三通	Combined thread three-way pipe		2	
5	KTJG12-650	卡套左胶管接头	Thread rubber tube		2	
6	6100A-3500351	PVC 阀接头	Connector, PVC valve		10	不零售 Not retail
7	4134830-201-A1	制动灯开关	Brake light switch		1	
8	6100A2-3720200-A1	手刹车开关	Hand brake light switch		1	
9	4342080000	双通单向阀	Two-way check valve		1	
10	6121J02-3506030	测试过渡接头	Test transition connector		1	
11	XML3500071N5F1	四保阀接头体	Connector body, 4-way protective valve		1	不零售 Not retail
12	6100A-3500184	过渡接头	Transition connector		1	不零售 Not retail
13	9735000000	快放阀总成	Quick release valve		1	
14	KTJG12-800	卡套式胶管接头总成	Thread rubber tube		2	
15	GB3737.1-G12	卡套式直通接头	Straight thread connector		2	不零售 Not retail
16	2908609-201	直通接头	Connector		1	不零售 Not retail
17	GB3752.1-G12	卡套直角接头	Straight thread elbow connector		1	不零售 Not retail

09-3 制动防抱死系统 (ABS) ANTI-LOCK BRAKING SYSTEM (ABS)



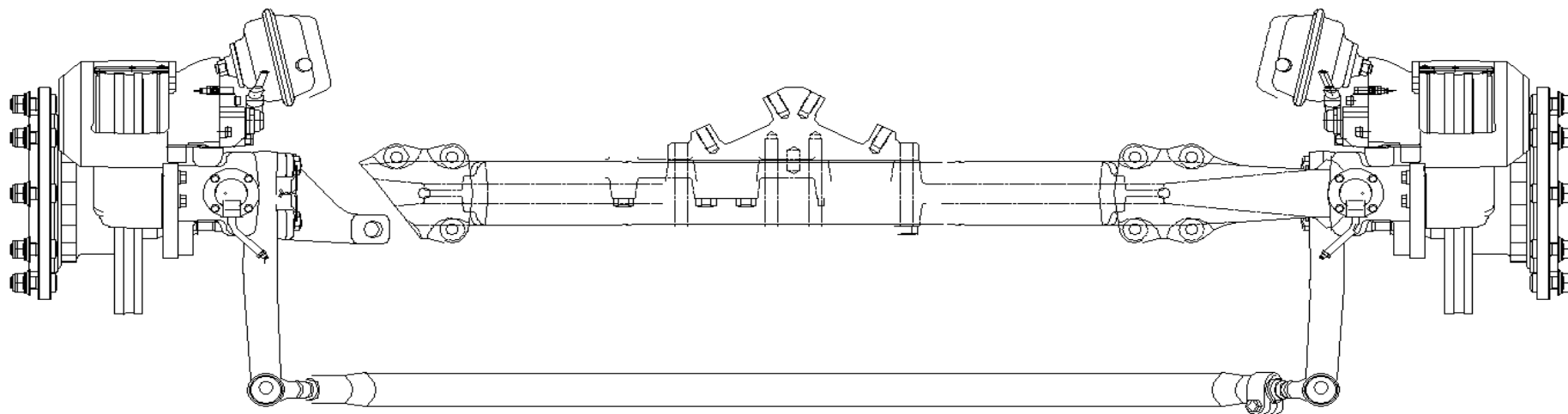
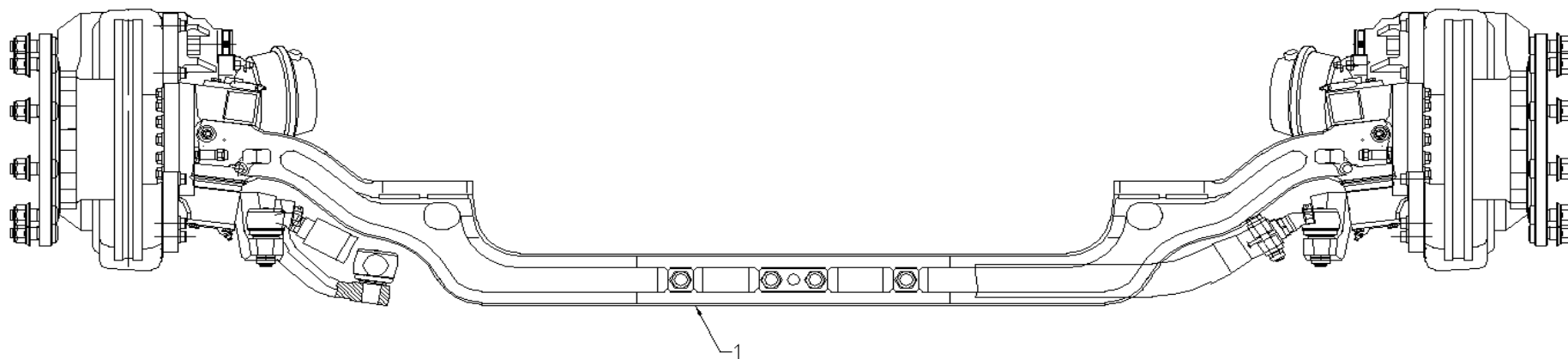
09-3 制动防抱死系统 (ABS) ANTI-LOCK BRAKING SYSTEM (ABS)

序号 S/N	件号 PART CODE	件名 PART NAME	英文文件名 PART NAME	规格 SPEC	数量 QTY	备注 REMARK
1	ASR-E-WABC0-04	ABS 防抱死系统	Anti-lock braking system		1	
2	446 004 320 0	ECU	ECU		1	
3	894 101 722 2	诊断接口	Diagnosis connector		1	
3	182916-1	诊断接口护套	Sheath, diagnosis connector		1	It belongs to 894 101 722 2
3	208652-1	上盖	Upper cap		1	It belongs to 894 101 722 2
4	472 195 018 0	电磁阀	Solenoid valve		4	
5	472 170 6060	ASR 电磁阀	ASR valve		1	
6	434 208 028 0	双通单向阀	Two-way valve		1	
7	6125Y23-4010080-FK36	ASR 线束	ASR harness		1	
8	449 513 0600	电磁阀导线	Cable for solenoid valve		2	图中未标注 Uncharted
8	449 513 1000	电磁阀导线	Cable for solenoid valve		2	图中未标注 Uncharted
8	894 110 110 2	插头体	Connector housing		1	图中未标注 Uncharted
8	449 721 0600	传感器导线	Cable for sensor		2	图中未标注 Uncharted
8	449 721 1000	传感器导线	Cable for sensor		2	图中未标注 Uncharted
8	449 415 1000	ASR 电磁阀导线	Cable for ASR valve		1	图中未标注 Uncharted
8	894 070 8314	插头	Plug		4	图中未标注 Uncharted
8	894 070 8294	插头	Plug		4	图中未标注 Uncharted
8	894 110 091 4	插头体	Connector housing		1	图中未标注 Uncharted

10 底盘总成件 CHASSIS ASSEMBLY PARTS

底盘总成件
CHASSIS ASSEMBLY PARTS

10-1F 前桥总成 FRONT AXLE ASSEMBLY

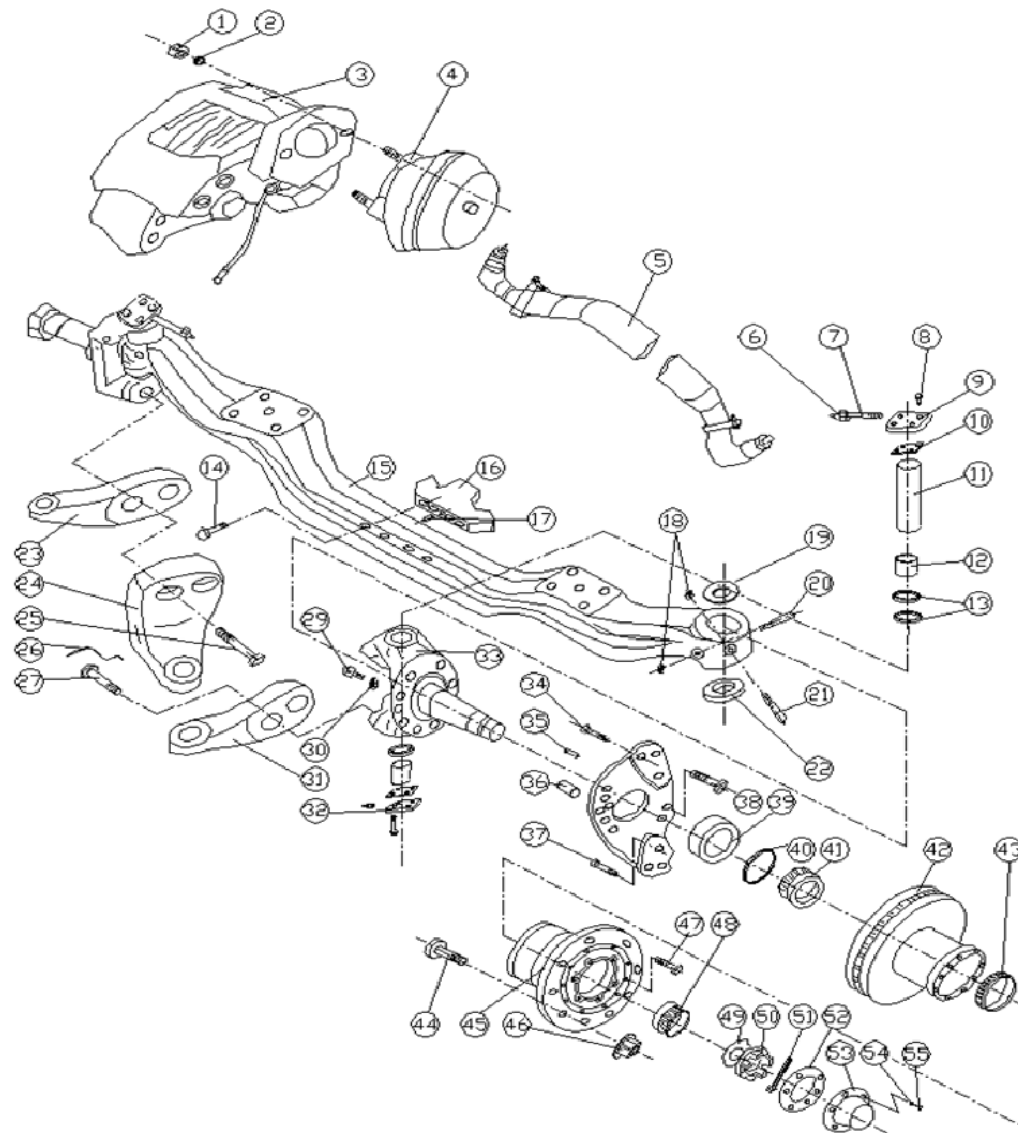


10-1F 前桥总成 FRONT AXLE ASSEMBLY

序号 S/N	件号 PART CODE	件名 PART NAME	英文件名 PART NAME	规格 SPEC	数量 QTY	备注 REMARK
1	DF30N75G-K11P236KW-G	前轴总成	FRONT AXLE ASSY		1	

10-1F-1

前桥总成 FRONT AXLE ASSY



10-1F-1

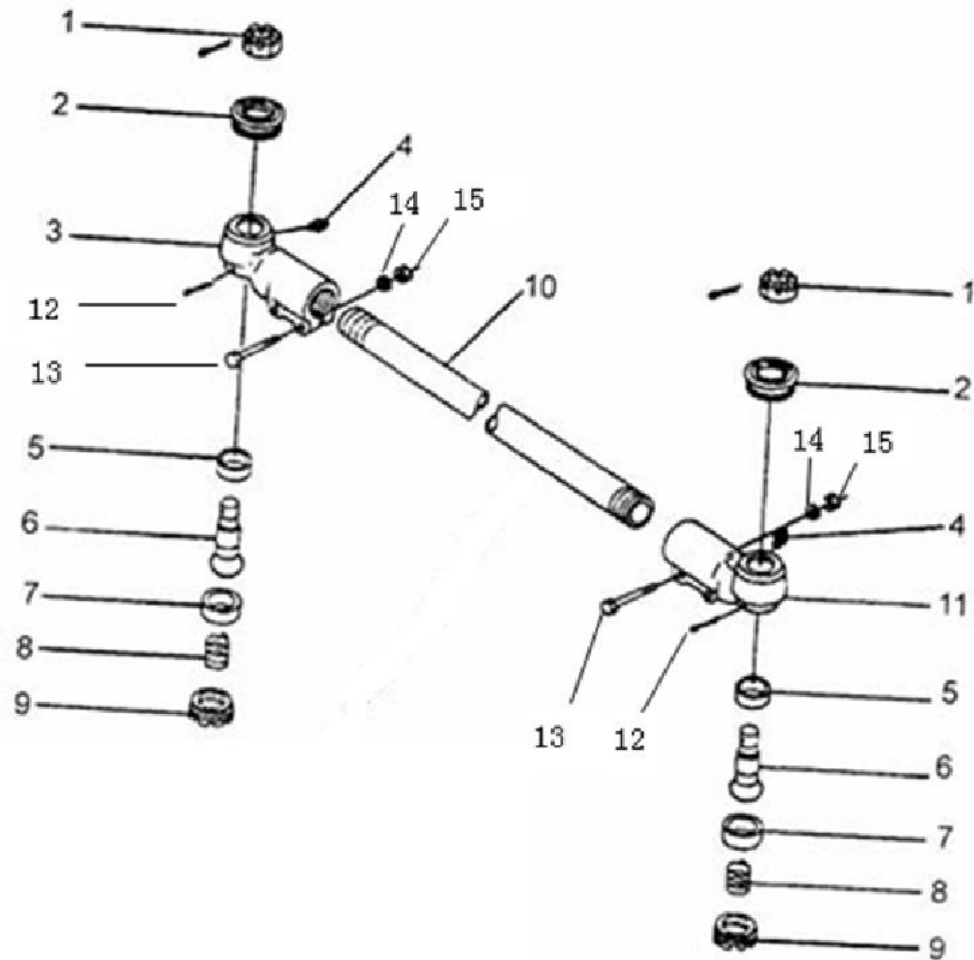
前桥总成 FRONT AXLE ASSY

序号 S/N	件号 PART CODE	件名 PART NAME	英文件名 PART NAME	规格 SPEC	数量 QTY	备注 REMARK
0	3501ZDS04M-025	左制动底板	Left brake plate		1	
0	3501ZDS04M-125	右制动底板	Right brake plate		1	
1	Q341B16	六角螺母-坚固制动气室用	Hexagonal nut		4	
2	Q40316	弹簧垫圈	Spring washer		4	
3	SN7156	左制动器总成	Left disc brake assy		1	
3	SN7146	右制动器总成	Right disc brake assy		1	
4	3519NP15-010	前左制动气室总成	Front left brake chamber		1	
4	3519NP15-015	前右制动气室总成	Front right brake chamber		1	
5	33ZDS01C-03050	横拉杆总成	Tie rod assy		1	
6	G-107-MSZ-374-4	油嘴	Grease fitting		4	
7	700.51-3102-046	油管	Grease fitting		4	
8	Q150B0820-0H1	六角头螺栓-主肖堵盖	Hexagonal bolt-grease tubing		8	
9	702.20-3102-041	上防尘盖	Upper dust cover		2	
10	840.00-3102-042	密封垫片	Sealing gasket		4	
11	3001021-ZD01K	主销	Kingpin		2	
12	832.05-3102-004	衬套（上衬套）	Upper bushing		2	
12	5050-KX03	衬套（下衬套）	Lower bushing		4	
13	840.00-3102-023	油封	Oil seal		6	
14	Q151B20150-0H1-J1	螺栓-推力杆支座	Bolt-thrust lever seat		4	
15	702.20-3101-002	前轴	I beam		1	
16	702.20-3101-015	推力杆支座	Thrust lever seat		1	
17	Q5222045	定位销-推力杆支座	Positioning pin		1	
18	832.00-3101-005	锁紧螺母-锁肖	Locking nut		4	
19	702.01-3102-024~027	调整垫片	Adjust shim		2	
20	832.45-3101-008	锁销 I	Wedge lock pin		2	
21	832.45-3101-007	锁销 II	Wedge lock pin		2	
22	BFSB-353323/HA3	轴向推力圆锥滚子轴承	Thrust tapered roller bearings		2	
23	30ZDS01A-01041	左梯形臂	Left steering knuckle arm		1	
24	702.20-3102-053	转向臂	Drag rod arm		1	

25	701.02-3197-004	锁紧螺钉	Locking bolt		2	
26	Q50512375	钢丝锁线	Locking wire		2	
27	932.00-3102-054	锁紧螺钉	Locking bolt		2	
29	702.20-3102-032	锁紧螺栓（转向限位）	Locking bolt		2	
30	Q351B16	六角薄螺母（紧固转向限位螺栓）	Thin nut		2	
31	30ZDS01A-01042	右梯形臂	Left steering knuckle arm		1	
32	840.00-3102-041	下防尘盖	Lower dust cover		2	
33	702.20-3102-06	左转向节	Left steering knuckle		1	
33	702.20-3102-03	右转向节	Right steering knuckle		1	
34	30ZDS04M-01045	螺栓-紧固制动钳	Bolt,used to fixing brake assy		12	
35	3001013-ZD99A	定位销	Positioning pin		2	
36	832.05-3102-004	衬套	Bushing		2	
38	470.00-3141-067	六角法兰面螺栓（紧固过渡盘）	Hex flange bolt		16	
39	3103080-ZD03M	油封总成-前轮毂	Front hub oil seal		2	
40	832.00-3140-024	隔套	Spacer		2	
41	3103020-ZD99A	前轮毂内轴承总成	Front hub inner bearing		2	
42	35NP2-01075	前制动盘	Brake disc		2	
43	832.06-3140-009	齿圈-ABS 传感器	Abs sensor ring		2	
44	932.00-3140-004	车轮螺栓	Wheel bolt		20	
45	31ZDS04M-03015	前轮毂	Front hub		2	
46	582.90-3140-005	车轮螺母	Wheel nut		20	
47	932.00-3140-007	六角法兰螺栓（紧固轮毂与制动盘）	Hex flange bolt		20	
48	3103030-ZD99A	前轮毂外轴承总成	Front hub outer bearing		2	
49	832.00-3102-013	鼻形盘	Nose type shim		2	
49	832.00-3102-014	鼻形盘	Nose type shim		2	
49	832.00-3102-015	鼻形盘	Nose type shim		2	
50	832.00-3102-017	槽形螺母	Slotted nut		2	
51	Q500B6365	开口销	Cotter pin		2	
52	832.00-3140-016	密封垫片	Sealing gasket		2	
53	832.00-3140-015	前轮毂盖	Front hub cup		2	
54	Q150B0816	螺栓-前轮毂盖	Bolt,used to fixing front hub		12	

			cup			
55	Q40308	弹簧垫圈	Spring washer		12	

10-1F-2 转向横拉杆 STEERING TIE ROD

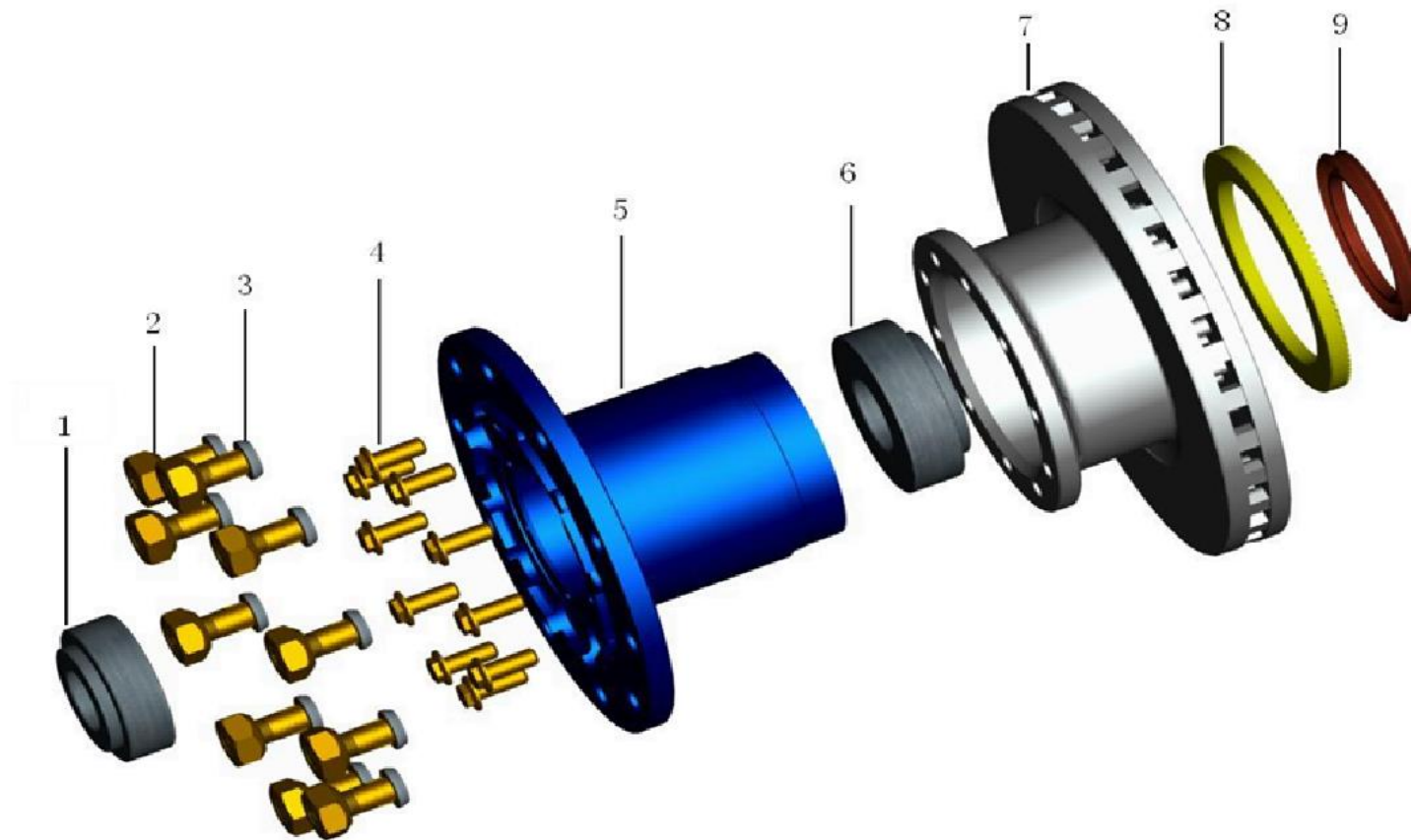


10-1F-2 转向横拉杆 STEERING TIE ROD

序号 S/N	件号 PART CODE	件名 PART NAME	英文件名 PART NAME	规格 SPEC	数量 QTY	备注 REMARK
0	33ZDS01C-03050	横拉杆总成	Tie rod assy		1	
1	3303N-091	槽形薄螺母	Slotted thin nut		2	
2	3303N-080	防尘罩总成	Dust cover assy		2	
3	3303ZDS01C-059	横拉杆左接头总成	Left tie rod joint assy		1	
3	3303ZDS01C-061	左接头-横拉杆	Left joint		1	
4	Q700B01	直通滑脂嘴	Straight neck grease fitting		2	
5	3303N-064	上球碗	Upper ball cup		2	
6	3303N-066	球头销	Ball pivot		2	
7	3303N-067	下球碗	Lower ball cup		2	
8	3303N-068	圆柱弹簧	Cylindrical spring		2	
9	3303N-071	螺塞-横拉杆接头	Screw plug		2	
10	33ZDS01C-03052	横拉杆	Tie rod		1	
11	3303ZDS01C-060	横拉杆右接头总成	Right tie rod joint assy		1	
11	3303ZDS01C-062	右接头-横拉杆	Right joint		1	
12	Q500B0570	开口销	Cotter pin		2	
13	Q151B1255	六角头螺栓	Hexagonal bolt		2	
14	Q40312	标准型弹簧垫圈	Standard spring washer		2	
15	Q341B12	1 型六角螺母	Hexagonal nut		2	

10-1F-3

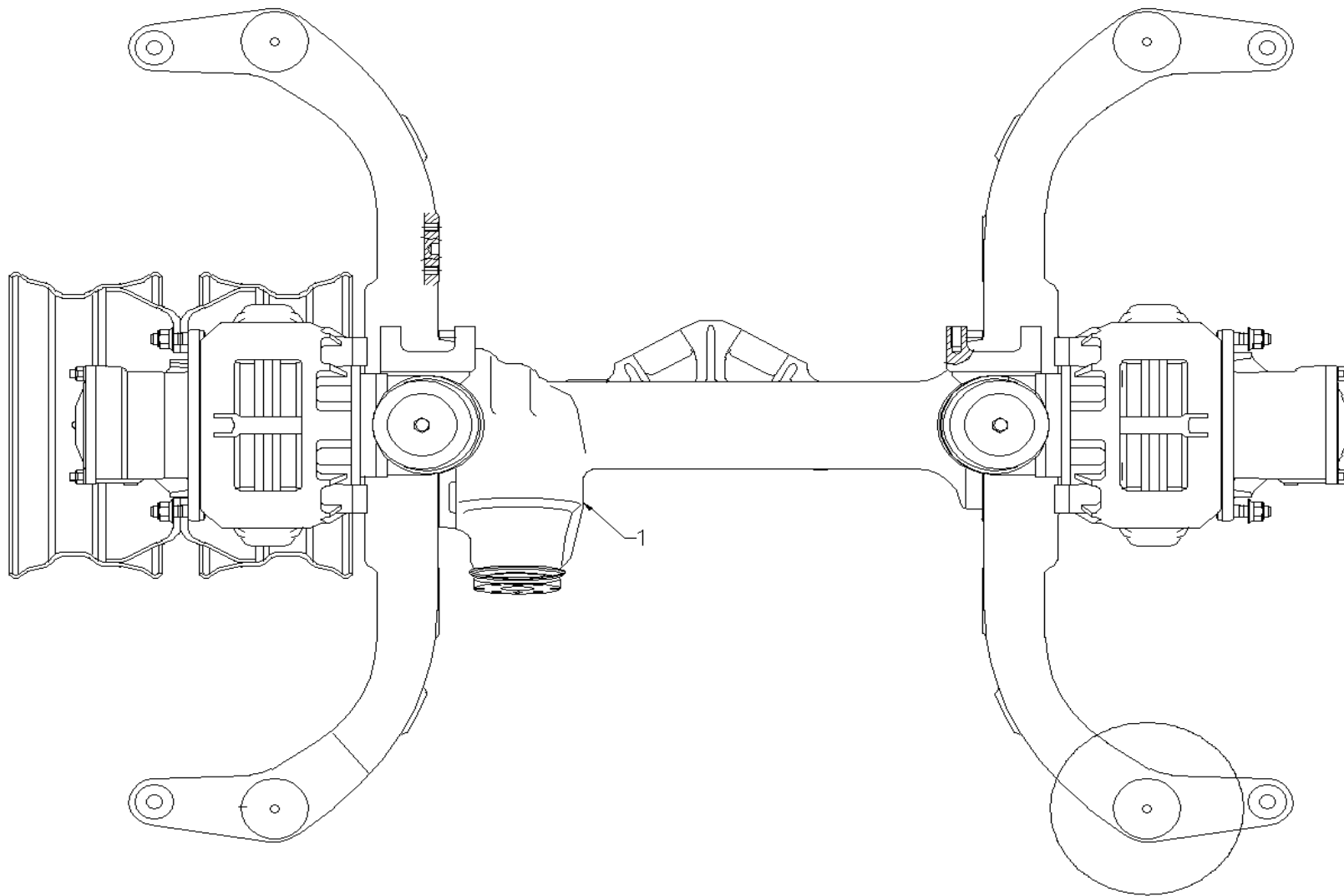
前制动器 FRONT BRAKE SYSTEM



10-1F-3 前制动器 FRONT BRAKE SYSTEM

序号 S/N	件号 PART CODE	件名 PART NAME	英文件名 PART NAME	规格 SPEC	数量 QTY	备注 REMARK
1	3103030-ZD99A	外轴承	Front hub outer bearing		2	
2	582.90-3140-005	车轮螺母	Wheel nut		20	
3	932.00-3140-004	车轮螺栓	Wheel bolt		20	
4	932.00-3140-007	法兰面螺栓	Hex flange bolt		20	
5	31ZDS04M-03015	前轮毂	Front hub		2	
6	3103020-ZD99A	内轴承	Front hub inner bearing		2	
7	35NP2-01075	制动盘	Brake disc		2	
8	832.06-3140-009	齿圈	Abs sensor ring		2	
9	3103080-ZD03M	油封	Front hub oil seal		2	

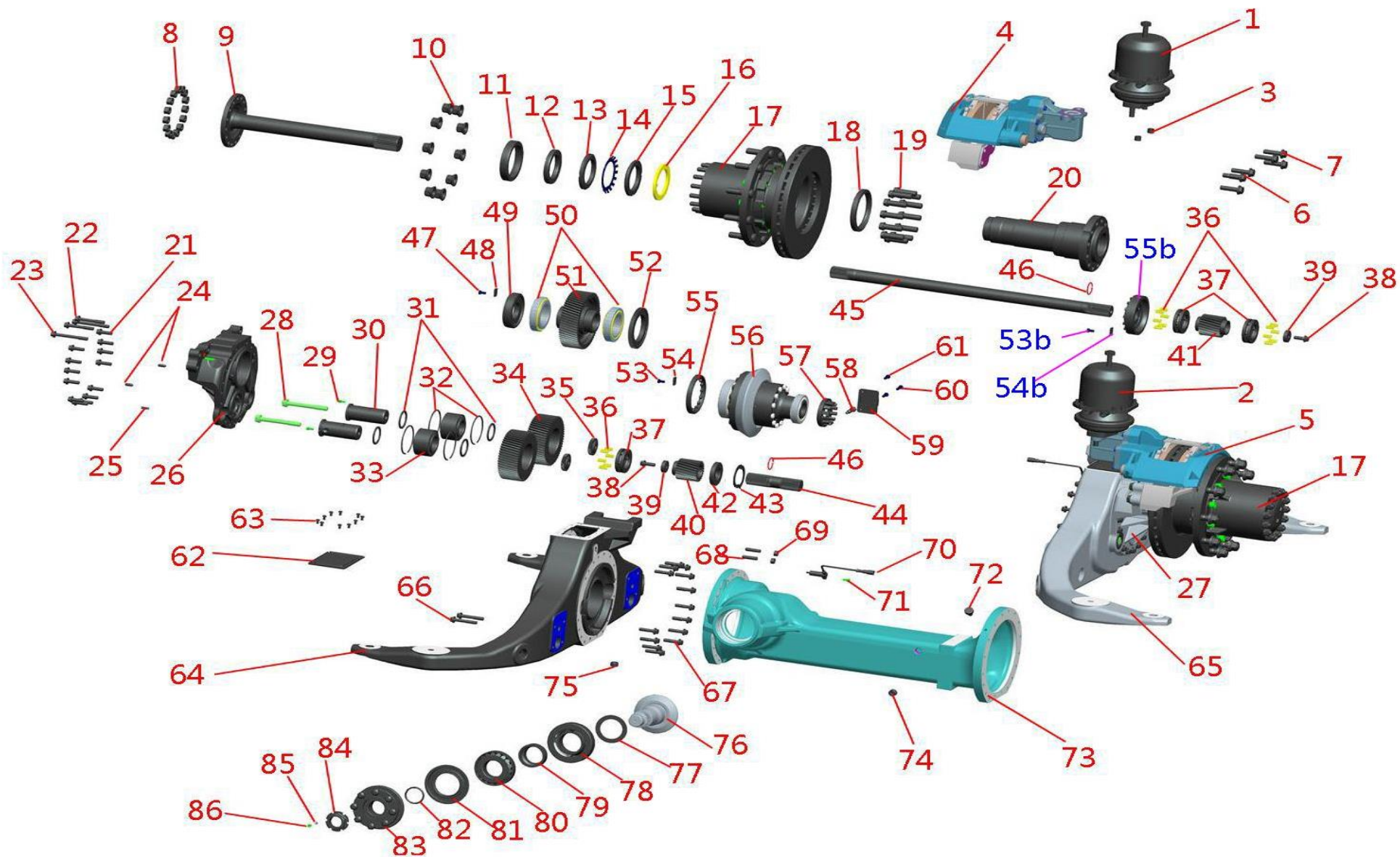
10-1R 后桥总成 REAR AXLE ASSEMBLY



10-1R 后桥总成 REAR AXLE ASSEMBLY

序号 S/N	件号 PART CODE	件名 PART NAME	英文件名 PART NAME	规格 SPEC	数量 QTY	备注 REMARK
1	DF24N13G- K11PSM615KG	后桥总成	Rear axle assembly		1	

10-1R-1 后桥总成 REAR AXLE ASSY



10-1R-1 后桥总成 REAR AXLE ASSY

序号 S/N	件号 PART CODE	件名 PART NAME	英文件名 PART NAME	规格 SPEC	数量 QTY	备注 REMARK
0	24ZDS01A-080	气管接头	Pipe joint		4	
1	3530010-ZD01K	弹簧制动气室总成	Spring brake chamber assy		1	
2	3530010-ZD01K	弹簧制动气室总成	Spring brake chamber assy		1	
3	832.00-3141-069	锁紧螺母-紧固制动气室	Locking nut,used to fixing brake chamber assy		4	
4	3502010-ZD01K	左盘式制动器总成	Left disc brake assy		1	
5	3502015-ZD01K	右盘式制动器总成	Right disc brake assy		1	
6	702.20-3141-007	锁紧螺栓	Locking bolt,used to fixing disc brake assy		2	
7	702.01-3141-006	六角法兰面螺栓-紧固制动器	Hex flange bolt,used to fixing disc brake assy		8	
7	702.20-3141-006	六角法兰面螺栓	Hex flange bolt,used to fixing disc brake assy		2	
8	MVGSZ-588-M16X1.5	六角法兰螺母	Hex flange bolt		30	
9	BPR28-61AD-13003	半轴	Axle drive shaft		2	
10	582.90-3140-005	车轮螺母	Wheel nut		20	
11	BPR17-43RD-40004	后轮毂外油封座圈	Rear hub outer oil sealing seat		2	
12	138.31-3340-006	后轮毂外油封总成	Rear hub outer oil sealing assy		2	
13	BPR28-43AD-10126	调整螺母-后轮毂外轴承	Rear hub outer bearing adjusting nut		2	内外调整螺母倒角背面相对
14	MB-20-MSZ7890	锁片	Lock plate		2	
15	BPR28-43AD-10126	调整螺母-后轮毂外轴承	Rear hub outer bearing adjusting nut		2	内外调整螺母倒角背面相对
16	BPR17-43RD-10116	锁片	Lock plate		2	
18	BPR28-43AD-40006	后轮毂内油封总成	Rear hub inner oil sealing assy		2	
19	138.10-3310-115	六角法兰面螺栓-紧固轴管	Hex flange bolt,used to fixing hub shaft tube		24	
20	B28-51BD-10011	轴管	Hub shaft tube		2	
21	598.60-3300-004	螺栓-紧固制动底板	Bolt,used to fixing brake plate		26	
22	BPR28-43AD-10025	六角法兰螺栓-紧固制动底板	Hex flange bolt,used to fixing brake plate		4	

23	BPR28-43AD-10152	六角法兰螺栓-紧固制动底板	Hex flange bolt,used to fixing brake plate		4	
24	Q5280824	弹性圆柱销	Spring pin		2	
25	Q5221024	定位销	Locating pin		4	
26	3502026-ZD01K	左制动底板	Left brake plate		1	
27	3502126-ZD01K	右制动底板	Right brake plate		1	
28	BPR28-46AA-10078	螺栓	Bolt		4	
29	Q2180614	螺钉	Screw		4	
30	BPR28-46AA-10075	惰轮轴	Idler pulley shaft		4	
31	BPR17-43RD-10181	调整垫片	Adjust shim		8	4 个惰轮的两侧,各选装 1 件,合计 8 件。
31	BPR17-43RD-10182	调整垫片	Adjust shim		8	4 个惰轮的两侧,各选装 1 件,合计 8 件。
31	BPR17-43RD-10183	调整垫片	Adjust shim		8	4 个惰轮的两侧,各选装 1 件,合计 8 件。
31	BPR17-43RD-10184	调整垫片	Adjust shim		8	4 个惰轮的两侧,各选装 1 件,合计 8 件。
31	BPR17-43RD-10185	调整垫片	Adjust shim		8	4 个惰轮的两侧,各选装 1 件,合计 8 件。
31	BPR17-43RD-10186	调整垫片	Adjust shim		8	4 个惰轮的两侧,各选装 1 件,合计 8 件。
31	BPR17-43RD-10187	调整垫片	Adjust shim		8	4 个惰轮的两侧,各选装 1 件,合计 8 件。
32	SB100	孔用弹性挡圈	Elastic ring		8	
33	2402740-ZD99A	双列圆锥滚子轴承	Double row tapered roller bearing		4	
34	BPR28-43AD-10064	惰轮	Idler pulley		4	
35	138.10-3310-076	挡块	Baffle block		4	
36	1.6X10X27-DIN2098	压缩弹簧	Compression spring		18	
37	2402770-ZD99A	推力球轴承	Thrust bearing		3	
38	BPR28-43AD-10153	六角法兰螺栓-紧固半轴 I II	Hex flange bolt,used to fixing half shaft		2	
39	BPR28-43AD-10151	挡块	Link stopper		2	
40	BPR28-43AD-10062	主动圆柱齿轮-左	Left drive cylindrical gear		1	
41	BPR28-43AD-10061	主动圆柱齿轮-右	Right drive cylindrical gear		1	

42	BPR28-43AD-10045	挡圈-左壳	Left differential case retaining ring		1	
43	BPR28-43AD-10136	止推垫片	Thrust washer		1	选装 1 件
43	BPR28-43AD-10137	止推垫片	Thrust washer		1	选装 1 件
43	BPR28-43AD-10138	止推垫片	Thrust washer		1	选装 1 件
43	BPR28-43AD-10139	止推垫片	Thrust washer		1	选装 1 件
43	BPR28-43AD-10140	止推垫片	Thrust washer		1	选装 1 件
43	BPR28-43AD-10141	止推垫片	Thrust washer		1	选装 1 件
43	BPR28-43AD-10142	止推垫片	Thrust washer		1	选装 1 件
43	BPR28-43AD-10143	止推垫片	Thrust washer		1	选装 1 件
43	BPR28-43AD-10144	止推垫片	Thrust washer		1	选装 1 件
43	BPR28-43AD-10145	止推垫片	Thrust washer		1	选装 1 件
43	BPR28-43AD-10146	止推垫片	Thrust washer		1	选装 1 件
43	BPR28-43AD-10147	止推垫片	Thrust washer		1	选装 1 件
43	BPR28-43AD-10148	止推垫片	Thrust washer		1	选装 1 件
43	BPR28-43AD-10165	止推垫片	Thrust washer		1	选装 1 件
43	BPR28-43AD-10166	止推垫片	Thrust washer		1	选装 1 件
43	BPR28-43AD-10167	止推垫片	Thrust washer		1	选装 1 件
43	BPR28-43AD-10135	止推垫片	Thrust washer		1	选装 1 件
43	BPR28-43AD-10168	止推垫片	Thrust washer		1	选装 1 件
43	BPR28-43AD-10169	止推垫片	Thrust washer		1	选装 1 件
43	BPR28-43AD-10170	止推垫片	Thrust washer		1	选装 1 件
43	BPR28-43AD-10171	止推垫片	Thrust washer		1	选装 1 件
43	BPR28-43AD-10172	止推垫片	Thrust washer		1	选装 1 件
43	BPR28-43AD-10173	止推垫片	Thrust washer		1	选装 1 件
43	BPR28-43AD-10174	止推垫片	Thrust washer		1	选装 1 件
43	BPR28-43AD-10175	止推垫片	Thrust washer		1	选装 1 件
44	BPR28-45CX-10043	半轴 I	Short half shaft		1	
45	BPR28-45CX-10095	半轴 II	Long half shaft		1	
46	Q43745	轴用钢丝挡圈	Snap ring		2	
47	Q150B0816-0H1	六角头螺栓	Hexagonal bolt		2	左右侧从动圆柱齿轮调整螺母处, 各 1 件。
48	138.10-3310-055	保险片	Lock plate		2	左右侧从动圆柱齿轮调整螺母处, 各 1 件。
49	138.10-3310-102	调整螺母-从动圆柱齿	Passive cylindrical gear dearing		2	

		轮轴承	adjusting nut			
50	2402780-ZD99A	圆锥滚子轴承	Tapered roller bearing		4	
51	BPR28-43AD-10085	从动圆柱齿轮	Passive cylindrical gear		2	
52	BPR28-43AD-10008	齿圈	Abs sensor gear ring		2	
53	Q150B0816-0H1	六角头螺栓	Hexagonal bolt		1	
53	Q150B0816-0H1	六角头螺栓	Hexagonal bolt		1	53b
54	BPR28-43AD-10056	锁片 I	I lock plate		1	两种锁片, 选装其中的 1 件。
54	BPR28-43AD-10057	锁片 II	Ii lock plate		1	两种锁片, 选装其中的 1 件。
54	138.10-3310-055	保险片	Lock plate		1	54b
55	BPR28-44AB-10042	调整螺母-差速器左壳 轴承	Left differential case dearing adjusting nut		1	
55	138.10-3310-092	调整螺母-右侧主动圆 柱齿轮	Adjusting nut-right cylindrical gear dearing		1	55b
56	2402310-ZD01E	锥齿轮差速器总成	Ring gear and differential assembly		1	
57	BPR28-43AD-10012	调整螺母-右壳螺栓	Right differential case dearing adjusting nut		1	
58	BPR28-43AD-10009	锁止螺母-调整螺母	Adjusting nut locking bolt		1	
59	138.10-3310-005	密封盖	Sealing cover plate		1	
60	Q150B0830-0H1	六角头螺栓	Hexagonal bolt		1	
61	Q150B0825-0H1	六角头螺栓	Hexagonal bolt		2	
62	BPR28-43AD-10053	盖	Cover plate		2	
63	Q2140612	十字槽盘头螺钉	Cross countersunk head screw		20	
64	B28-43AD-10041	左 C 型臂	Left c type arm		1	
65	B28-43AD-10091	右 C 型臂	Right c type arm		1	
66	BPR28-43AD-10026	六角法兰螺栓-紧固 C 型臂	Hex flange bolt,used to fixeding c type arm		4	
67	138.10-3310-018	六角法兰螺栓-紧固 C 型臂	Hex flange bolt,used to fixeding c type arm		30	
68	138.10-3310-044	双头螺柱-紧固左 C 型 臂	Stud bolt,used to fixeding c type arm		2	
69	Q341C12-0H1	六角螺母	Hexagonal nut		2	
70	3550050-ZD01E	ABS 传感器总成	Abs sensor assy		2	

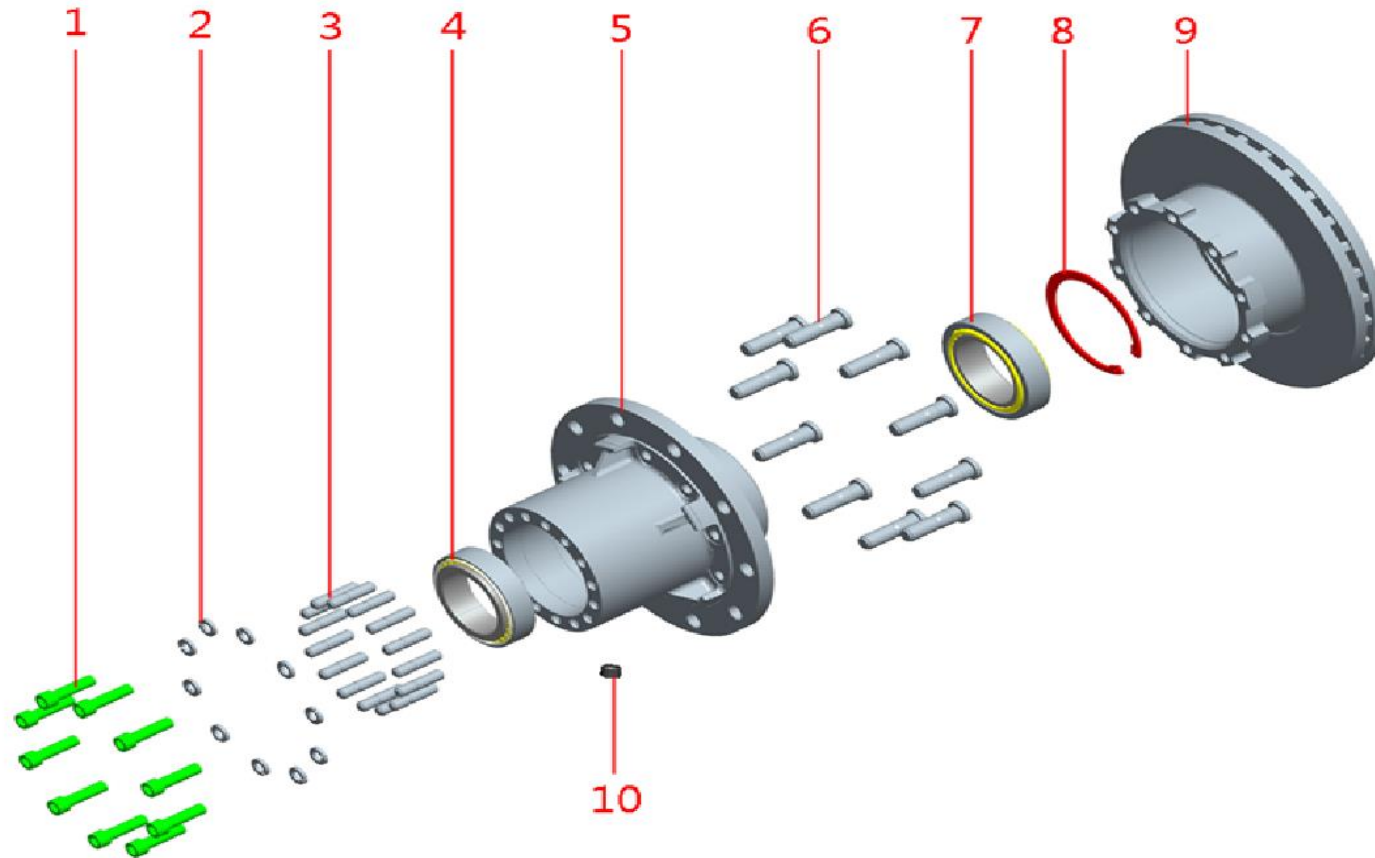
71	Q2180614	螺钉	Screw		2	
72	594.00-3310-031	通气塞总成	Air breather plug assy		1	
73	2401025-ZD01E	后桥壳	Axle housing		1	
74	594.20-3310-055	放油螺塞总成	Oil drain plug		1	桥壳右侧上方注油孔处 (借用放油塞)
75	594.20-3310-055	放油螺塞总成	Oil drain plug		2	左右 C 型臂下方各 1 个
76	M24025ZD1838	后桥主动锥齿轮	Drive pinion		1	不单独销售 (与从动锥 齿轮配套销售)
77	BPR28-43AD-11102	调整垫片	Adjust shim		1	选装 1 件
77	BPR28-43AD-11103	调整垫片	Adjust shim		1	选装 1 件
77	BPR28-43AD-11104	调整垫片	Adjust shim		1	选装 1 件
77	BPR28-43AD-11105	调整垫片	Adjust shim		1	选装 1 件
77	BPR28-43AD-11106	调整垫片	Adjust shim		1	选装 1 件
77	BPR28-43AD-11107	调整垫片	Adjust shim		1	选装 1 件
77	BPR28-43AD-11108	调整垫片	Adjust shim		1	选装 1 件
77	BPR28-43AD-11109	调整垫片	Adjust shim		1	选装 1 件
77	BPR28-43AD-11110	调整垫片	Adjust shim		1	选装 1 件
77	BPR28-43AD-11111	调整垫片	Adjust shim		1	选装 1 件
77	BPR28-43AD-11112	调整垫片	Adjust shim		1	选装 1 件
77	BPR28-43AD-11113	调整垫片	Adjust shim		1	选装 1 件
77	BPR28-43AD-11114	调整垫片	Adjust shim		1	选装 1 件
77	BPR28-43AD-11115	调整垫片	Adjust shim		1	选装 1 件
77	BPR28-43AD-11116	调整垫片	Adjust shim		1	选装 1 件
77	BPR28-43AD-11117	调整垫片	Adjust shim		1	选装 1 件
77	BPR28-43AD-11118	调整垫片	Adjust shim		1	选装 1 件
77	BPR28-43AD-11119	调整垫片	Adjust shim		1	选装 1 件
77	BPR28-43AD-11120	调整垫片	Adjust shim		1	选装 1 件
77	BPR28-43AD-11121	调整垫片	Adjust shim		1	选装 1 件
77	BPR28-43AD-11122	调整垫片	Adjust shim		1	选装 1 件
77	BPR28-43AD-11123	调整垫片	Adjust shim		1	选装 1 件
77	BPR28-43AD-11124	调整垫片	Adjust shim		1	选装 1 件
77	BPR28-43AD-11125	调整垫片	Adjust shim		1	选装 1 件
77	BPR28-43AD-11126	调整垫片	Adjust shim		1	选装 1 件
78	2402720-ZD99A	圆锥滚子轴承	Tapered roller bearing		1	
79	BPR28-43AD-11036	隔套	Adjust spacer		1	选装 1 件

79	BPR28-43AD-11037	隔套	Adjust spacer		1	选装 1 件
79	BPR28-43AD-11038	隔套	Adjust spacer		1	选装 1 件
79	BPR28-43AD-11039	隔套	Adjust spacer		1	选装 1 件
79	BPR28-43AD-11040	隔套	Adjust spacer		1	选装 1 件
79	BPR28-43AD-11041	隔套	Adjust spacer		1	选装 1 件
79	BPR28-43AD-11042	隔套	Adjust spacer		1	选装 1 件
79	BPR28-43AD-11043	隔套	Adjust spacer		1	选装 1 件
79	BPR28-43AD-11044	隔套	Adjust spacer		1	选装 1 件
79	BPR28-43AD-11045	隔套	Adjust spacer		1	选装 1 件
79	BPR28-43AD-11046	隔套	Adjust spacer		1	选装 1 件
79	BPR28-43AD-11047	隔套	Adjust spacer		1	选装 1 件
79	BPR28-43AD-11048	隔套	Adjust spacer		1	选装 1 件
79	BPR28-43AD-11049	隔套	Adjust spacer		1	选装 1 件
79	BPR28-43AD-11050	隔套	Adjust spacer		1	选装 1 件
79	BPR28-43AD-11051	隔套	Adjust spacer		1	选装 1 件
79	BPR28-43AD-11052	隔套	Adjust spacer		1	选装 1 件
79	BPR28-43AD-11053	隔套	Adjust spacer		1	选装 1 件
79	BPR28-43AD-11054	隔套	Adjust spacer		1	选装 1 件
79	BPR28-43AD-11055	隔套	Adjust spacer		1	选装 1 件
79	BPR28-43AD-11056	隔套	Adjust spacer		1	选装 1 件
79	BPR28-43AD-11057	隔套	Adjust spacer		1	选装 1 件
79	BPR28-43AD-11058	隔套	Adjust spacer		1	选装 1 件
79	BPR28-43AD-11059	隔套	Adjust spacer		1	选装 1 件
79	BPR28-43AD-11060	隔套	Adjust spacer		1	选装 1 件
79	BPR28-43AD-11061	隔套	Adjust spacer		1	选装 1 件
79	BPR28-43AD-11062	隔套	Adjust spacer		1	选装 1 件
79	BPR28-43AD-11063	隔套	Adjust spacer		1	选装 1 件
79	BPR28-43AD-11064	隔套	Adjust spacer		1	选装 1 件
79	BPR28-43AD-11067	隔套	Adjust spacer		1	选装 1 件
79	BPR28-43AD-11068	隔套	Adjust spacer		1	选装 1 件
79	BPR28-43AD-11065	隔套	Adjust spacer		1	选装 1 件
79	BPR28-43AD-11066	隔套	Adjust spacer		1	选装 1 件
80	2402730-ZD99A	圆锥滚子轴承	Tapered roller bearing		1	
81	2402060-ZD01K	主锥油封总成	Dive pinion oil seal		1	
82	SIMRIT55572NBR872	O 形圈	O type sealing ring		1	

83	B28-51CC-11071	突缘总成	Flange and dust cover assy		1	
84	HN162	调整螺母-主锥	Drive pinion bearing adjusting nut		1	
85	Q40405	垫圈	Washer		1	
86	Q2180510	螺钉	Bolt		1	

10-1R-2

轮毂制动盘总成的装配 WHEEL BRAKE DISC ASSEMBLY ASSEMBLY



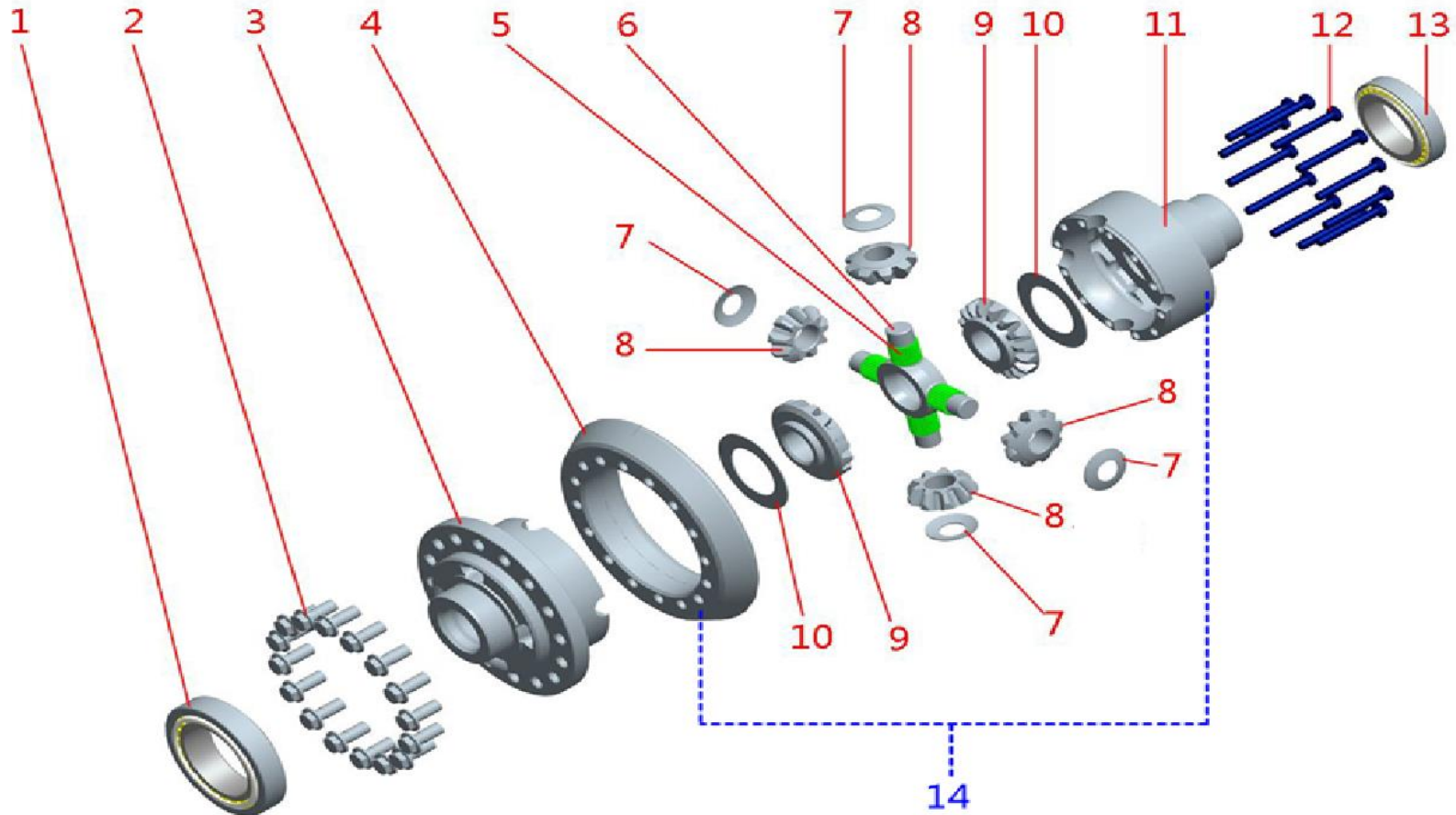
10-1R-2

轮毂制动盘总成的装配 WHEEL BRAKE DISC ASSEMBLY ASSEMBLY

序号 S/N	件号 PART CODE	件名 PART NAME	英文件名 PART NAME	规格 SPEC	数量 QTY	备注 REMARK
1	32ZDS01-01063	内六角圆柱头螺钉	Inside hexagonal bolt		20	
2	BPR28-43AD-41006	垫圈	Washer		20	
3	138.10-3340-015	双头螺栓-紧固半轴	Stud bolt,used to fixeding axle drive shaft		30	
4	3104030-ZD99A	圆锥滚子轴承	Tapered roller bearing		2	
5	3104015-ZD01K	后轮毂	Rear hub		2	
6	832.00-3140-004	车轮螺栓	Wheel bolt		20	
7	3104020-ZD99A	后轮毂内轴承	Rear hub inner bearing		2	
8	MSZ-231-160	孔用弹性挡圈	Elastic ring		2	
9	BPR28-43AD-41005	制动盘	Break disc		2	
10	594.20-3310-055	放油螺塞总成	Oil drain plug		2	装于轮毂注油孔（借用放油塞）

10-1R-3

差速器总成的装配 DIFFERENTIAL ASSEMBLY ASSEMBLY



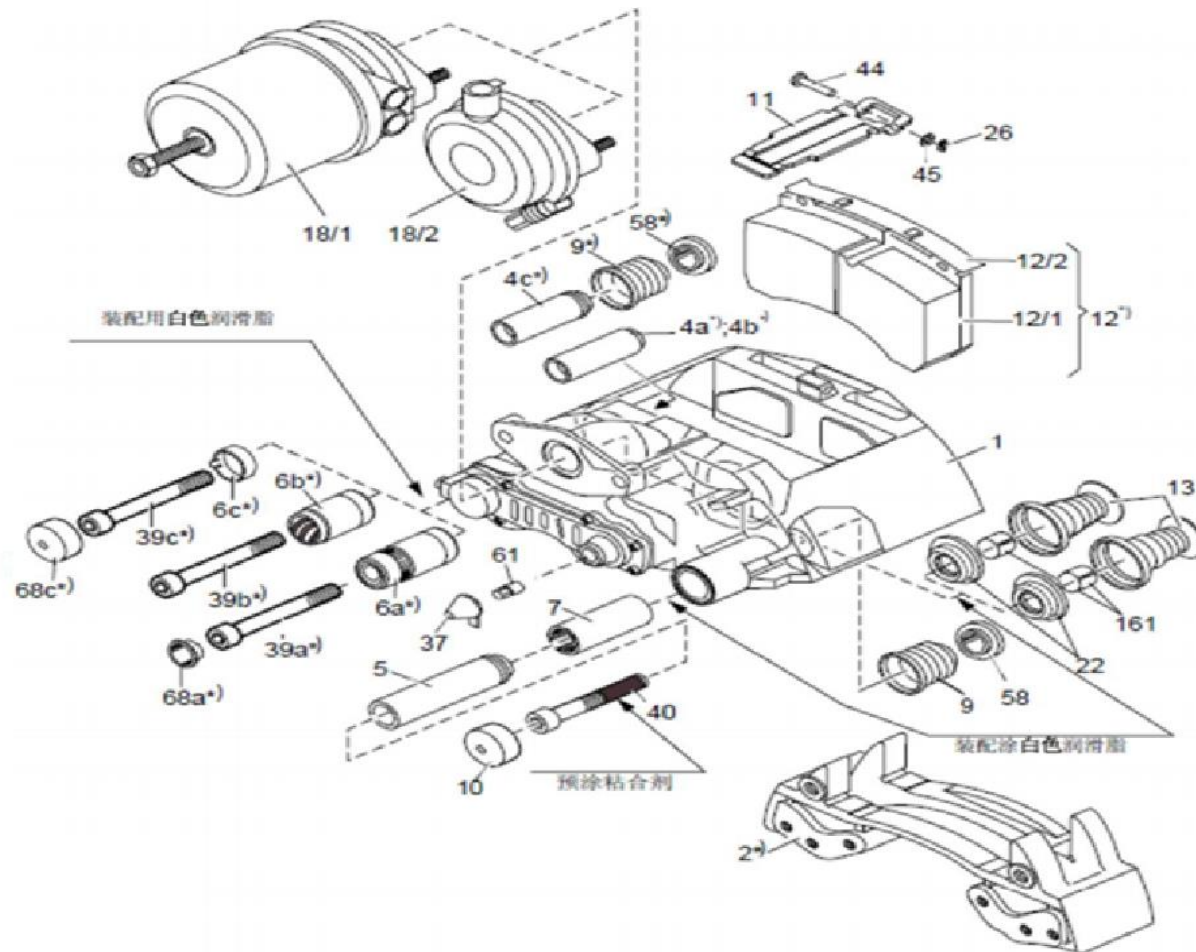
10-1R-3

差速器总成的装配 DIFFERENTIAL ASSEMBLY ASSEMBLY

序号 S/N	件号 PART CODE	件名 PART NAME	英文件名 PART NAME	规格 SPEC	数量 QTY	备注 REMARK
1	2402750-ZD99A	圆锥滚子轴承	Tapered roller bearing		1	不属于差速器总成，此处仅表示装配位置。
2	BPR28-43AD-11099	锁紧螺栓-从动锥齿轮	Ring gear locking bolt		16	
3	B17-77RD-11092	差速器左壳	Left differential case		1	不单独销售（与差速器右壳配套销售）
4	M24026ZD1838	后桥从动锥齿轮	Ring gear		1	不单独销售（与主动锥齿轮配套销售）
5	SG3X26.8	滚针	Needle rollers		112	
6	BDI28-51AA-11101	十字轴	Spider		1	
7	833.02-3311-107	止推垫片-行星齿轮	Planet gear thrust washer		4	
8	BDI28-51AA-11104	行星齿轮	Planet gear		4	
9	600.05-3311-111	半轴齿轮	Half shaft side gear		2	
10	833.02-3311-112	减磨垫圈	Half shaft side gear antifriction gasket		2	
11	B28-43AD-11093	差速器右壳	Right differential case		1	不单独销售（与差速器左壳配套销售）
12	Q151C1075-0H1	螺栓	Bolt		12	
13	2402760-ZD99A	圆锥滚子轴承	Tapered roller bearing		1	不属于差速器总成，此处仅表示装配位置。
14	B28-77RD-11091	差速器壳总成	Differential case assy		1	

10-1R-4

制动器总成的装配 BRAKE ASSEMBLY ASSEMBLY



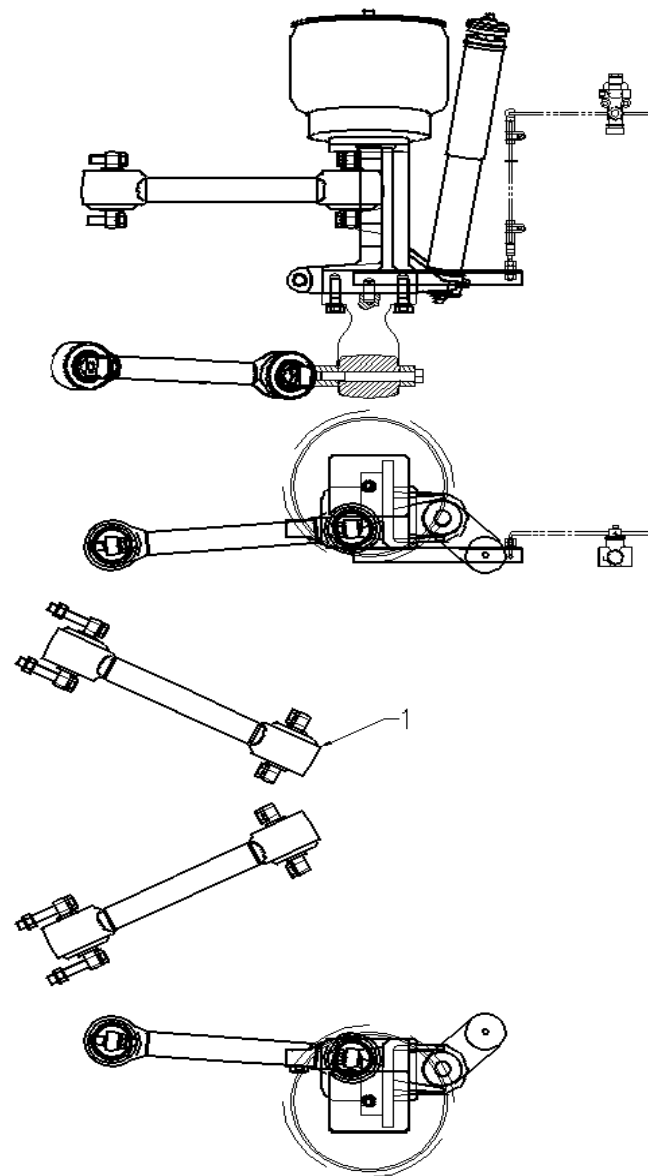
10-1R-4

制动器总成的装配 BRAKE ASSEMBLY ASSEMBLY

序号 S/N	件号 PART CODE	件名 PART NAME	英文件名 PART NAME	规格 SPEC	数量 QTY	备注 REMARK
0	K112846K50	磨损指示传感器（带过渡线）	Alarm line assy		2	
0	3502010-ZD01K	左盘式制动器总成	Left disc brake assy		1	KNORR 22.5 寸
0	3502015-ZD01K	右盘式制动器总成	Right disc brake assy		1	KNORR 22.5 寸
2	K113365K50	托架	Bracket		1	3502010-ZD01K 左制动器总成托架维修包
4	K048371K50	导向销	Guide pin			导向销、密封件维修包物料号
12	K118708K50	制动片总成	Brake pad assy		2	摩擦片维修包物料号
13	K113367K50	带套推盘总成	Push plate assy		2	推盘、橡胶套维修包物料号
37	K113633K50	调整器帽	Brake clearance adjusting		2	间隙调制器维修包物料号

10-2F

前悬挂总成 FRONT SUSPENSION ASSEMBLY



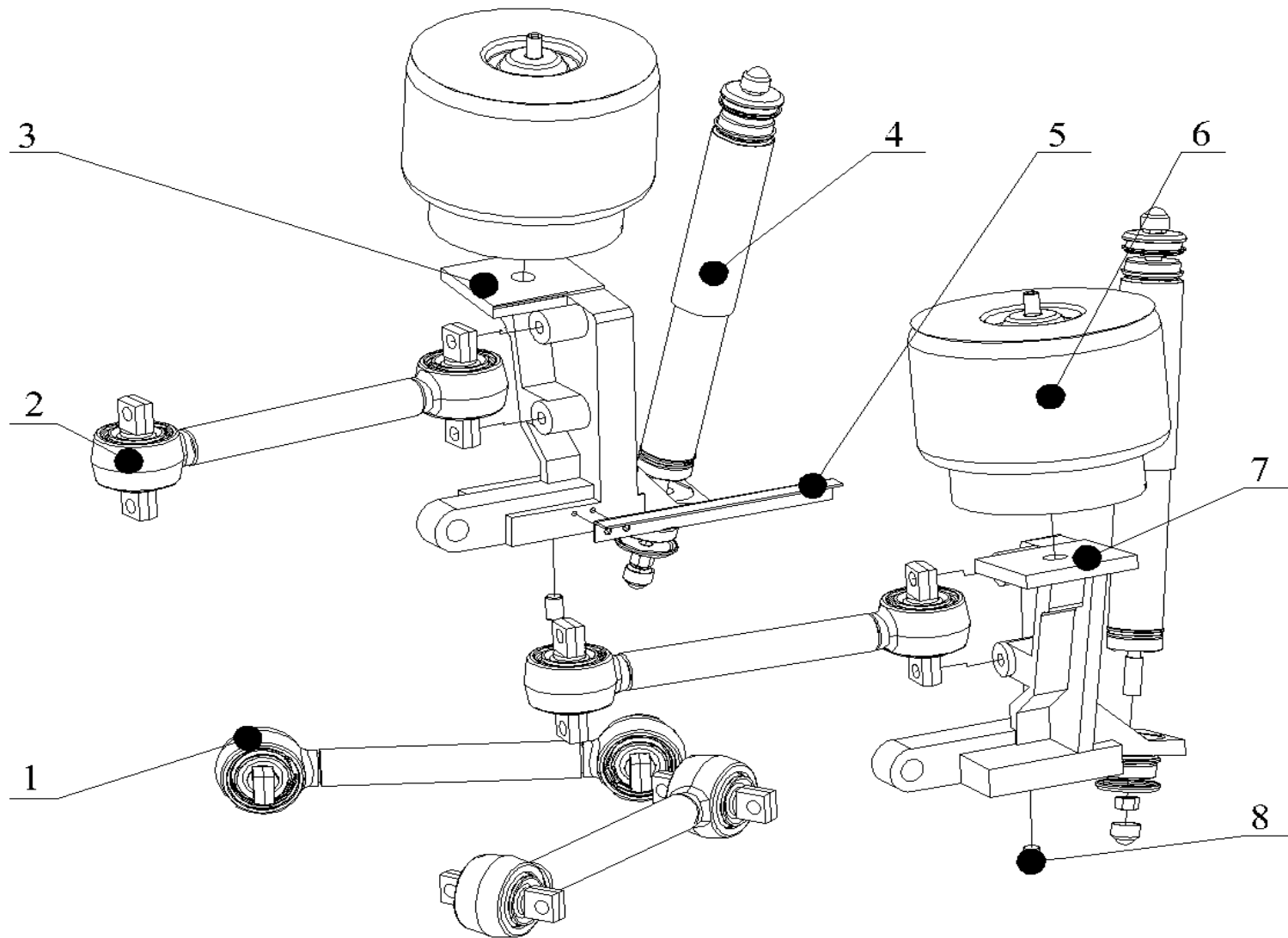
10-2F

前悬挂总成 FRONT SUSPENSION ASSEMBLY

序号 S/N	件号 PART CODE	件名 PART NAME	英文件名 PART NAME	规格 SPEC	数量 QTY	备注 REMARK
1	JR-075BFA2-001	前空气悬挂总成	FRONT AIR SUSPENSION ASSY		1	

JR-075BFA2-001

前空气悬挂总成 FRONT AIR SUSPENSION ASSY



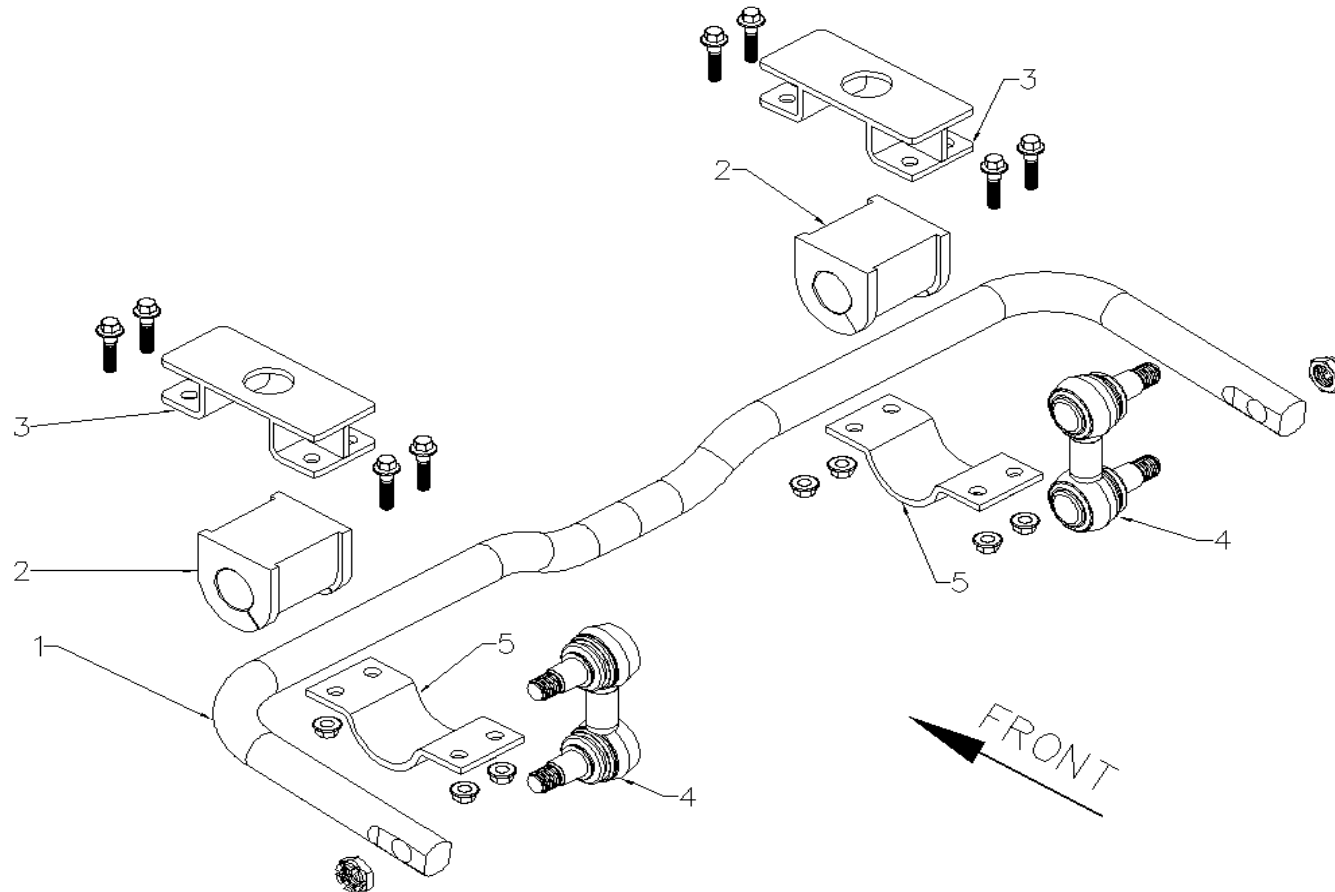
JR-075BFA2-001

前空气悬挂总成 FRONT AIR SUSPENSION ASSY

序号 S/N	件号 PART CODE	件名 PART NAME	英文件名 PART NAME	规格 SPEC	数量 QTY	备注 REMARK
1	03-130446-01	推力杆总成	Thrust bar assy		2	
2	03-130458-01	推力杆总成	Thrust bar assy		2	
3	0501-01-22200	气囊下支座(右)	Air bellows support(R)		1	
4	SACHS0031897	减振器总成	Shock absorber assembly, front		2	
5	1213-01-61200	高度阀下支架	Bracket		1	
6	6613020	气囊总成	Air-bag assy		2	
7	0501-01-21200	气囊下支座(左)	Air bellows support(L)		1	
8	0501-01-70001	前气囊支座定位销	Pin		2	

10-2FS

前稳定杆安装总成 FRONT STABILIZER INSTALL ASSEMBLY



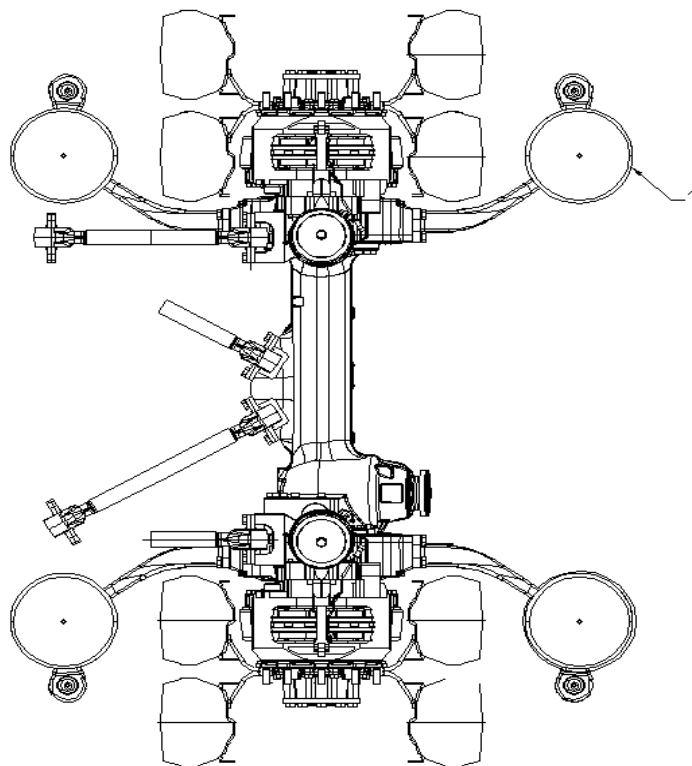
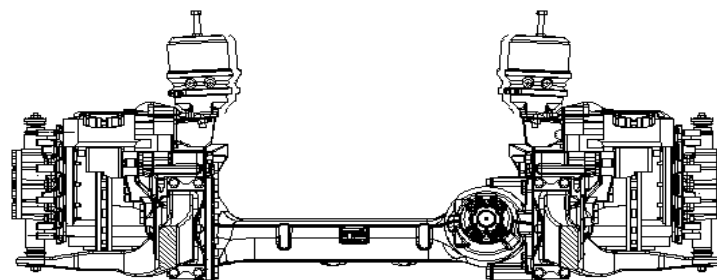
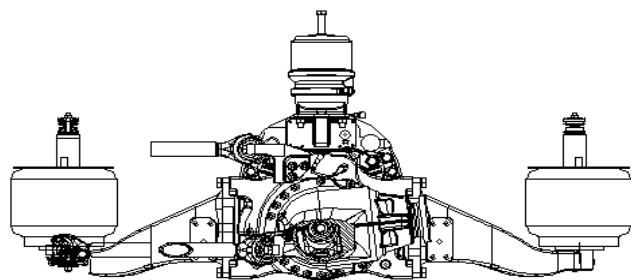
10-2FS

前稳定杆安装总成 FRONT STABILIZER INSTALL ASSEMBLY

序号 S/N	件号 PART CODE	件名 PART NAME	英文件名 PART NAME	规格 SPEC	数量 QTY	备注 REMARK
1	6123G03-2906010	前横向稳定杆总成	Stabilizer bar assy., front		1	
2	6125G10-2906060	稳定杆橡胶衬套	Rubber bushing, stabilizer bar		2	
3	6125G05-2906021-00	稳定杆上支架	Upper bracket, stabilizer		2	
4	6123G03-2906023	吊杆总成	Boom assembly		2	
5	6125G05-2906022-00	稳定杆下支架	Lowerbracket, stabilizer		2	

10-2R

后悬挂总成 REAR SUSPENSION ASSEMBLY



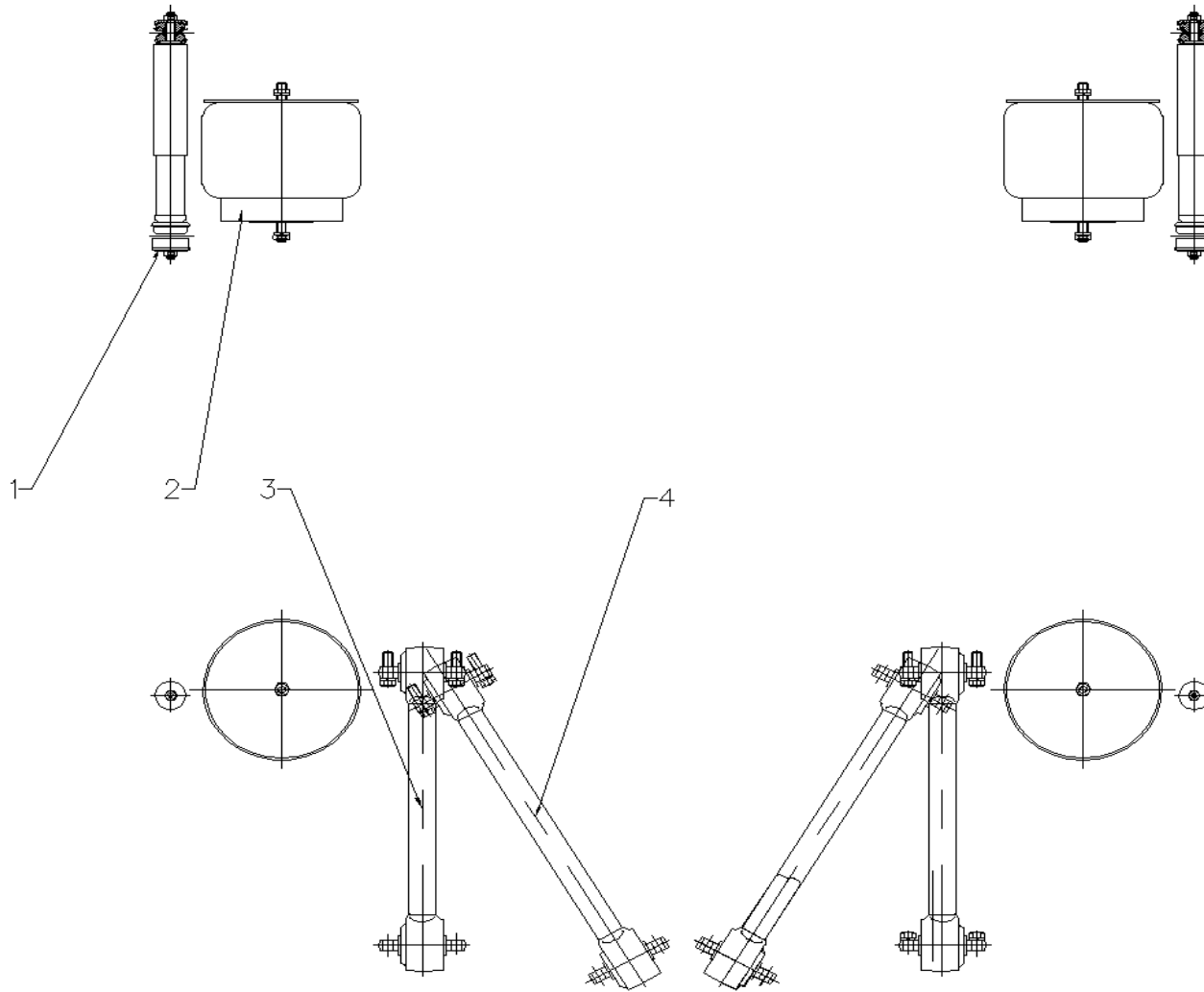
10-2R

后悬挂总成 REAR SUSPENSION ASSEMBLY

序号 S/N	件号 PART CODE	件名 PART NAME	英文件名 PART NAME	规格 SPEC	数量 QTY	备注 REMARK
1	JR-130BRG1-003	后空气悬架系统	REAR AIR SUSPENSION ASSY		1	

JR-130BRG1-003

后空气悬架系统 REAR AIR SUSPENSION ASSY



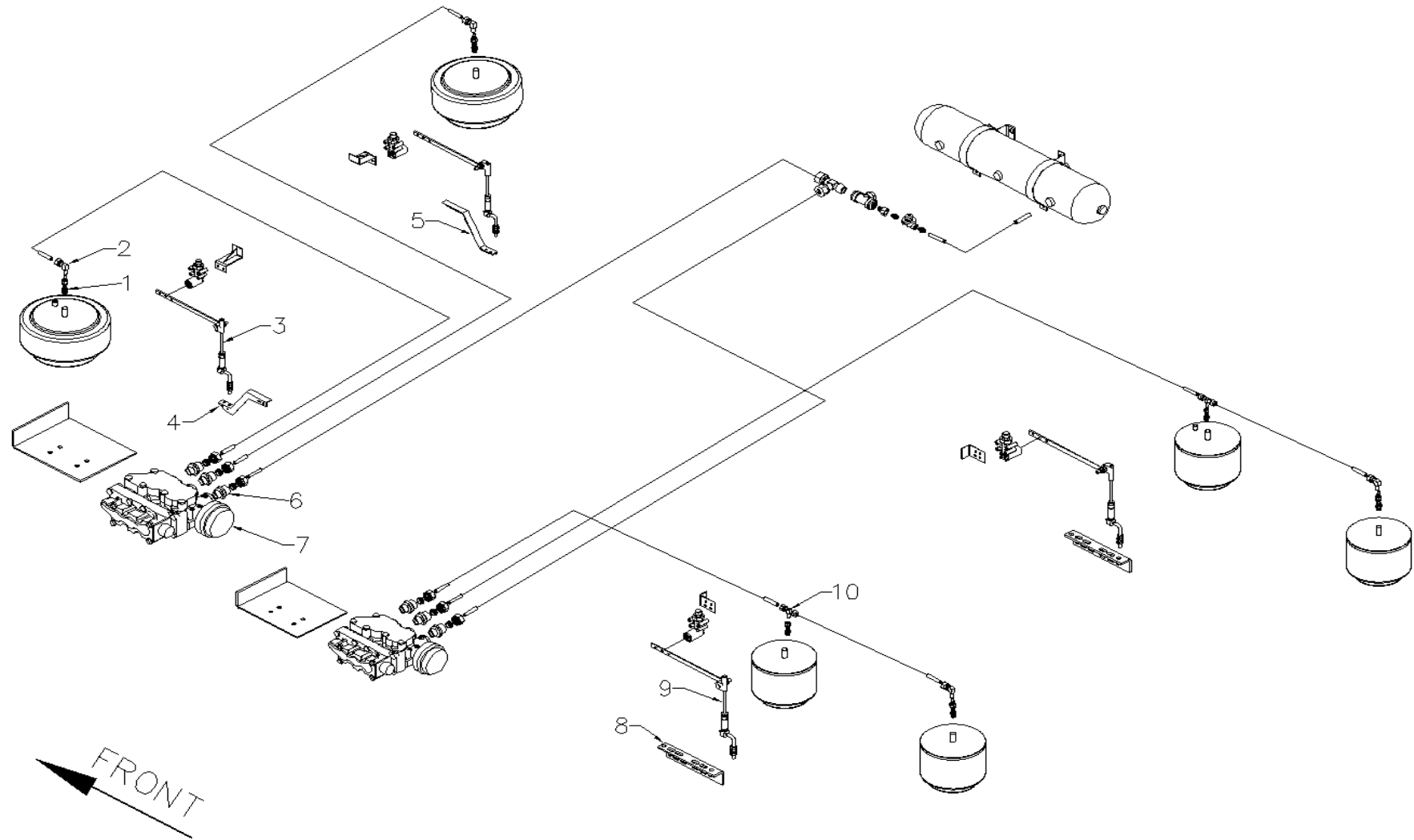
JR-130BRG1-003

后空气悬架系统 REAR AIR SUSPENSION ASSY

序号 S/N	件号 PART CODE	件名 PART NAME	英文件名 PART NAME	规格 SPEC	数量 QTY	备注 REMARK
1	SACHS00125736	减振器总成	Shock absorber assembly		4	
2	6613040	气囊总成	Air-bag assy		4	
3	03-130574-01	推力杆总成	Thrust bar assy		2	
4	03-130664-01	推力杆总成	Thrust bar assy		2	
5	31-194035-02	调整垫片	Adjust washer		1	

10-2L

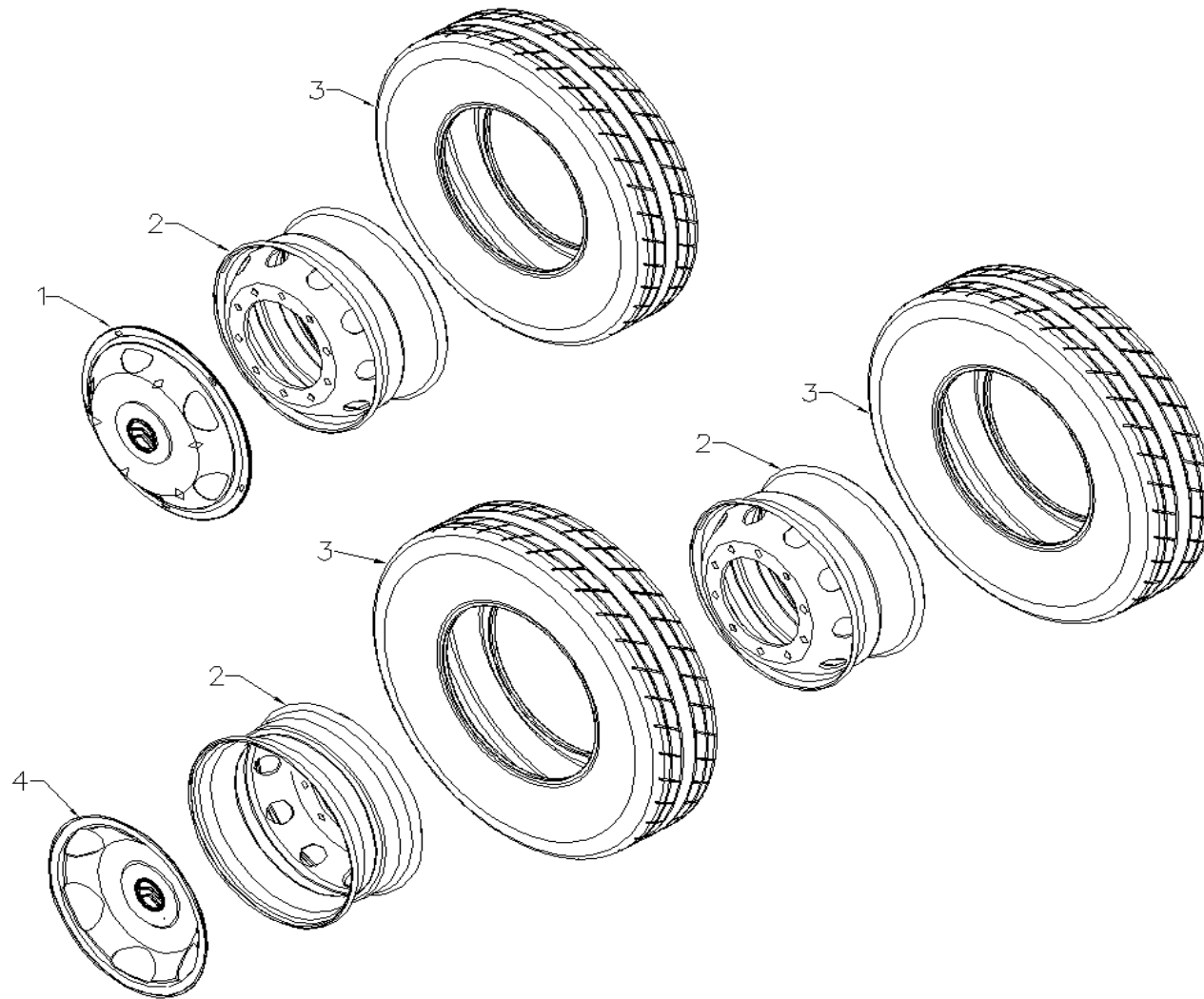
空气调平 AIR LEVELING



10-2L 空气调平 AIR LEVELING

序号 S/N	件号 PART CODE	件名 PART NAME	英文件名 PART NAME	规格 SPEC	数量 QTY	备注 REMARK
1	6125G10-2908601	气囊进气接头	Air intake cover,air bellow		6	
2	GB3752.1-G12	接头	Connector		6	
3	6125G18-2908211-L300	高度调节杆	Height lever		2	
4	6125G02-2908101	前高度阀下支架	Lower bracket, front leveling valve		1	
5	6125G02-2908102	前高度阀下支架	Lower bracket, front leveling valve		1	
6	6100A-3500351	PVC 阀接头	Connector, PVC valve		10	
7	ECAS-WABC0-CAN-03	悬架电控系统	Electric control system, suspension		1	
8	6165G01-2908012-EZ65	后高度阀下支架	Lower bracket, rear leveling valve		2	
9	6125G18-2908211-L400	高度调节杆	Height lever		2	
10	GB3753.1-G12	卡套式组合三通	Combined thread three-way pipe		4	

10-3 车轮安装 WHEEL INSTALLTION

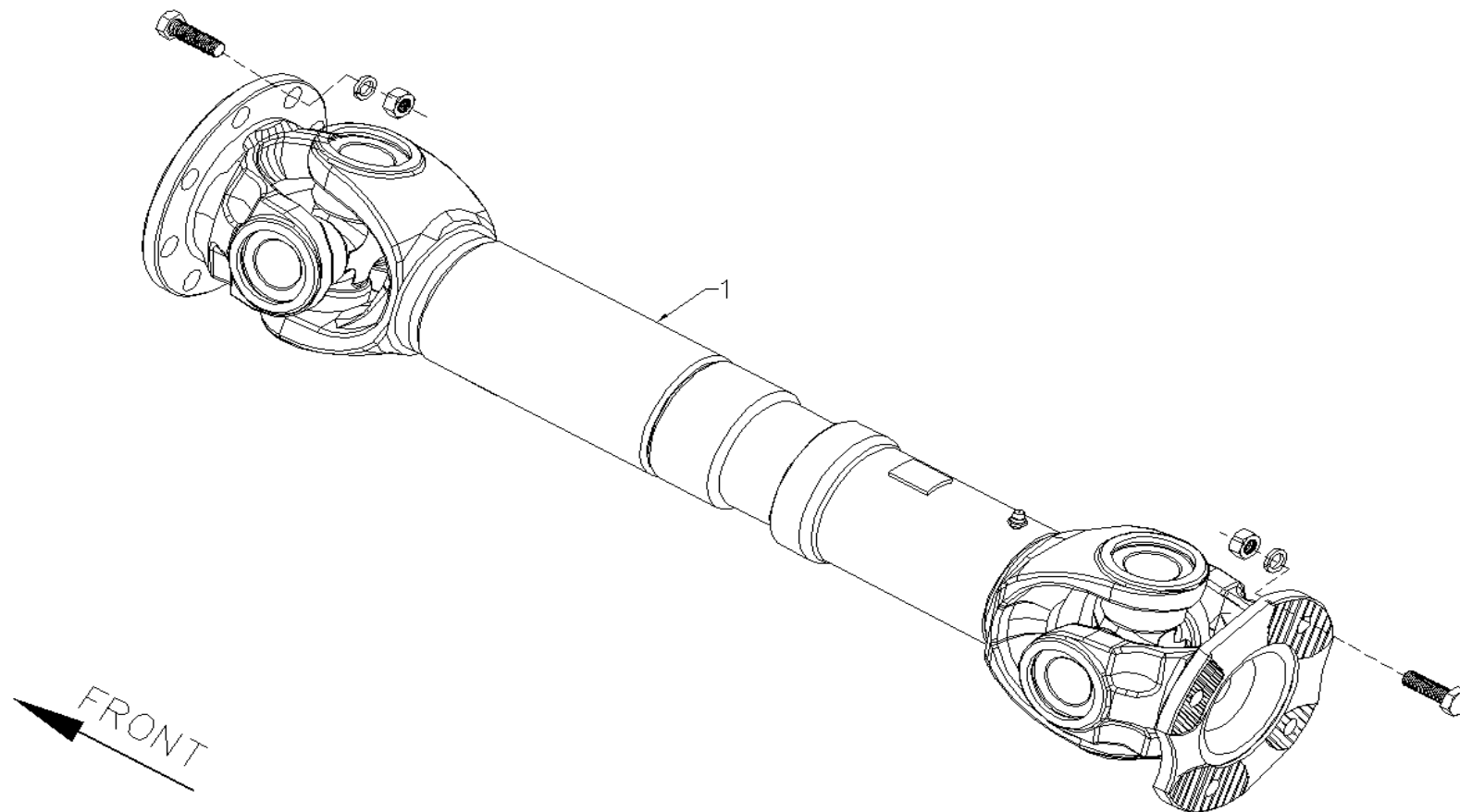


10-3 车轮安装 WHEEL INSTALLTION

序号 S/N	件号 PART CODE	件名 PART NAME	英文件名 PART NAME	规格 SPEC	数量 QTY	备注 REMARK
1	HXK-500LZ-Q	豪华全幅定标前轮罩	Front wheel house		2	
2	22.5X8.25-10Z169A-1	车轮	Wheel		7	
3	275/70R22.5-18PR-3	轮胎	Tyre		7	
4	HXK-500LZ-H	豪华全幅定标后轮罩	Rear wheel house		2	

10-4

传动轴安装 DRIVE SHAFT INSTALLATION

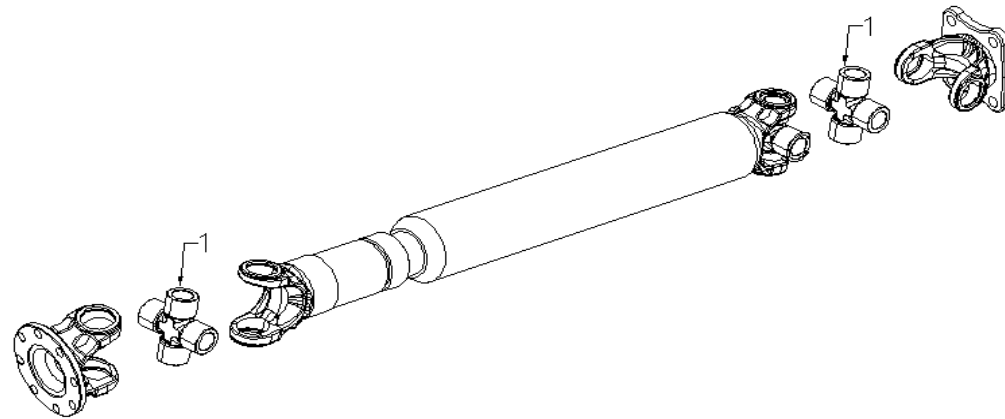


10-4 传动轴安装 DRIVE SHAFT INSTALLATION

序号 S/N	件号 PART CODE	件名 PART NAME	英文件名 PART NAME	规格 SPEC	数量 QTY	备注 REMARK
1	6125Y27-2201010-FK36	传动轴总成	Drive shaft assembly		1	

6125Y27-2201010-FK36

传动轴 DRIVE SHAFT

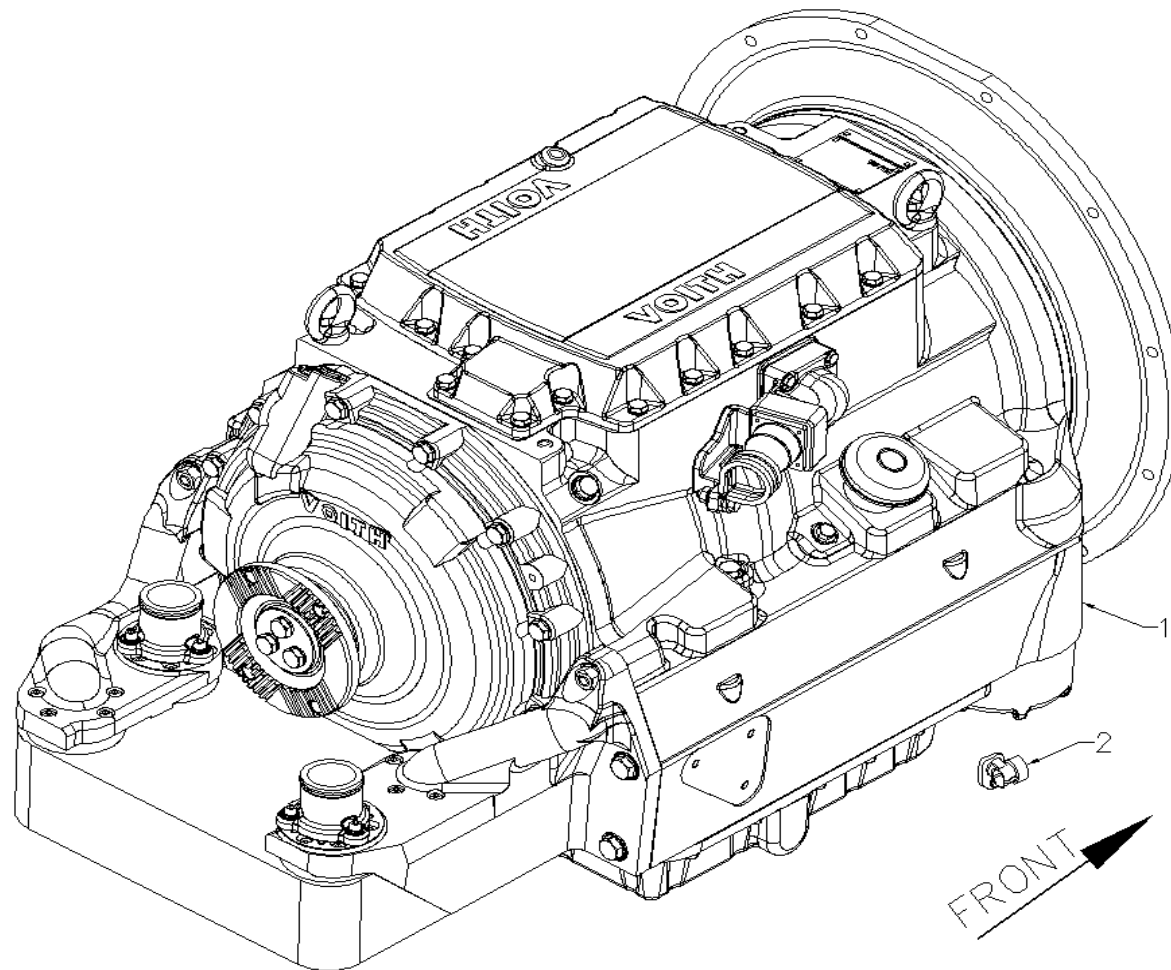


6125Y27-2201010-FK36

传动轴 DRIVE SHAFT

序号 S/N	件号 PART CODE	件名 PART NAME	英文件名 PART NAME	规格 SPEC	数量 QTY	备注 REMARK
1	hwj-5226-00	万向节总成	Universal knuckle assembly		1	

10-5 变速箱总成 GEARBOX ASSEMBLY

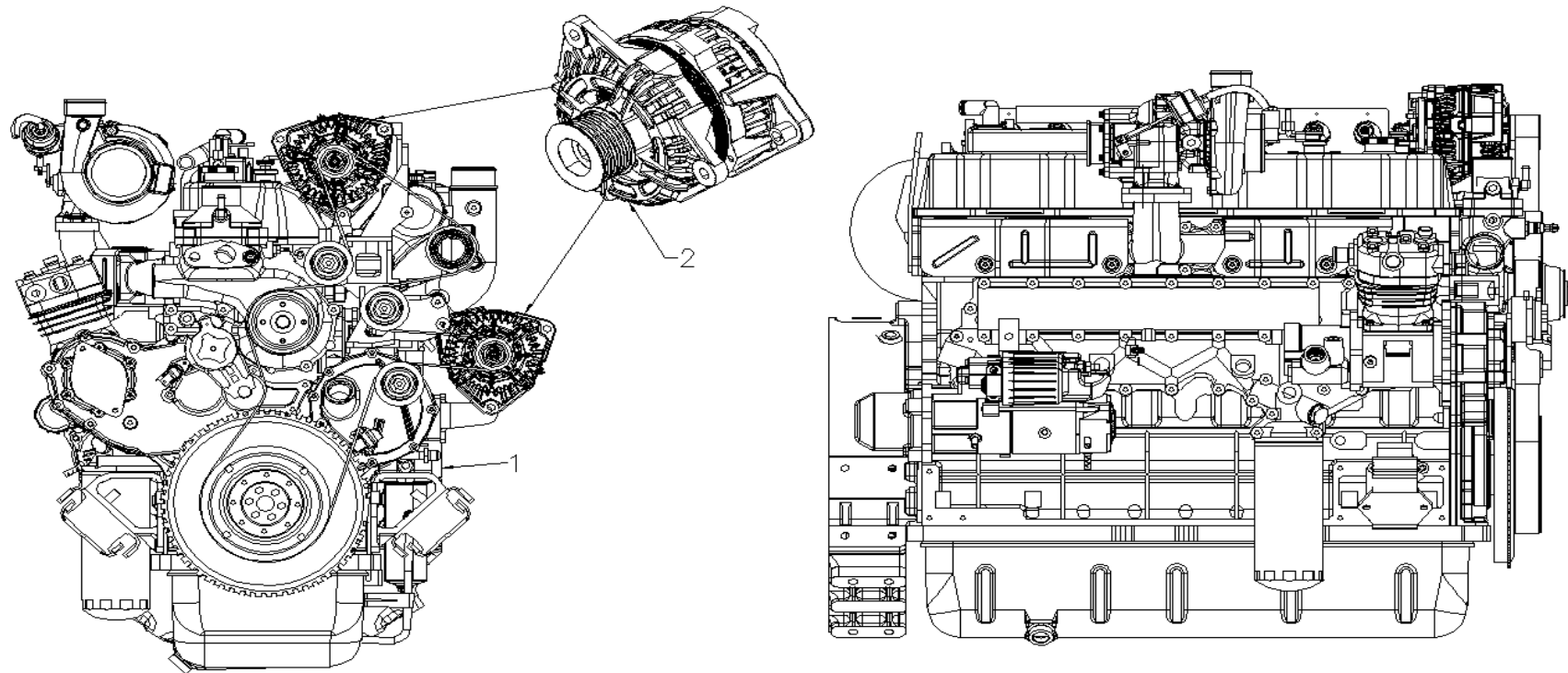


10-5 变速箱总成 GEARBOX ASSEMBLY

序号 S/N	件号 PART CODE	件名 PART NAME	英文件名 PART NAME	规格 SPEC	数量 QTY	备注 REMARK
1	152.004314.01	D854.5 自动变速箱	Gearbox assembly		1	
2	2171-20002210	VDO 车速传感器	VDO speed sensor		1	

10-6

发动机及周边件 ENGINE& AROUND PARTS

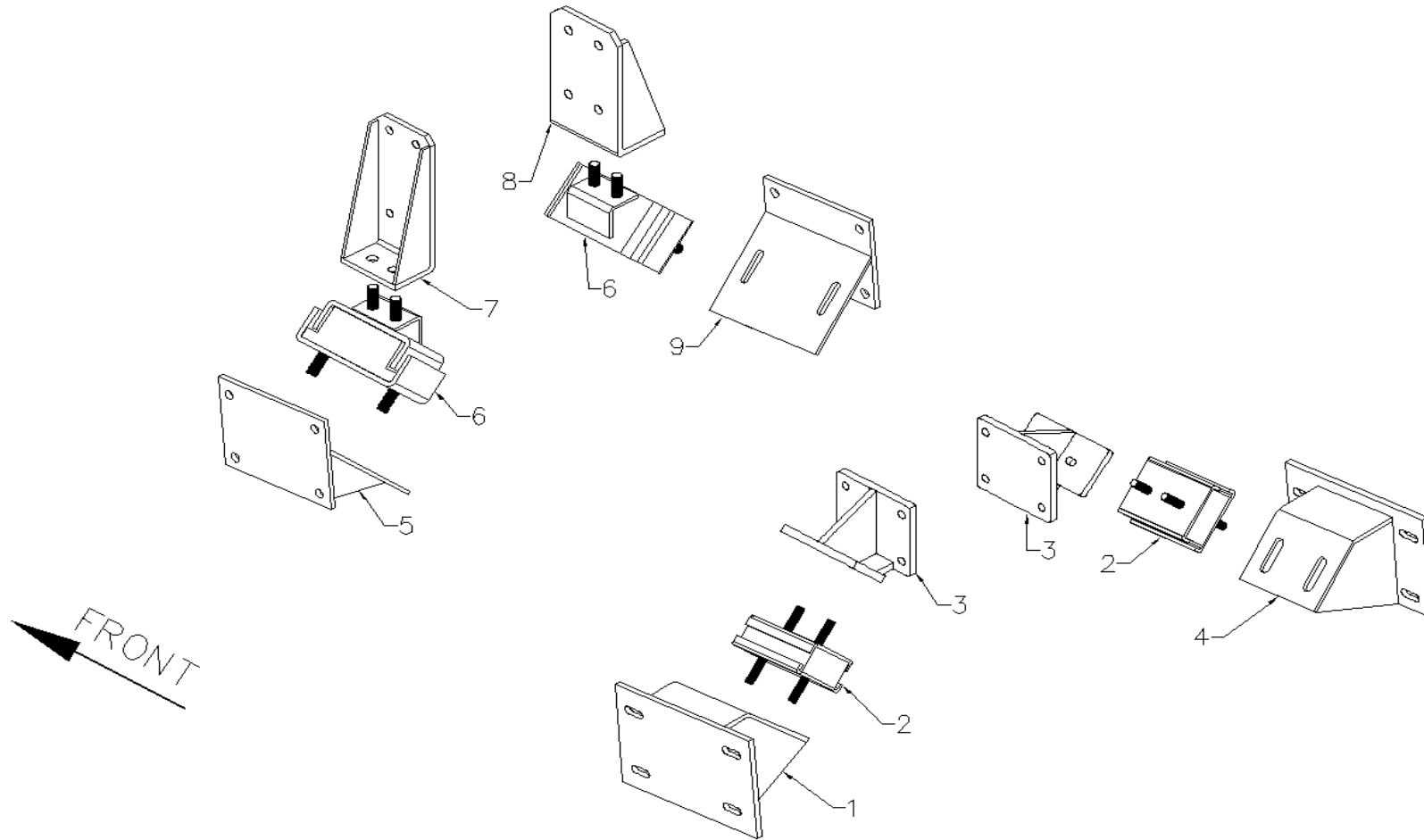


10-6 发动机及周边件 ENGINE& AROUND PARTS

序号 S/N	件号 PART CODE	件名 PART NAME	英文件名 PART NAME	规格 SPEC	数量 QTY	备注 REMARK
1	YC6L280N52-LNGLA	天然气发动机总成	Engine assembly		1	
2	0124655358	发电机	Generator		2	

10-6-1

发动机悬置 ENGINE MOUNTING SYSTEM



10-6-1 发动机悬置 ENGINE MOUNTING SYSTEM

序号 S/N	件号 PART CODE	件名 PART NAME	英文件名 PART NAME	规格 SPEC	数量 QTY	备注 REMARK
1	6125Y26-1001010-KF31	发动机前悬置左支架	Left bracket, front mounting, engine		1	
2	10J-01020-55	发动机悬置软垫	Mounting cushion, engine		2	
3	XML1001060G6F0	右前悬置支架	Mounting bracket, right front		2	
4	6125Y26-1001020-KF31	发动机前悬置右支架	Right bracket, front mounting, engine		1	
5	6125Y26-1001050-KF31	发动机后悬置左下支架	Left lower support, rear mounting, engine		1	
6	KB-1001015	后悬置软垫	Cushion, rear mounting		2	
7	6125Y26-1001030-KF31	发动机后悬置左支架	Left bracket, front mounting, engine		1	
8	6125Y26-1001040-KF31	发动机后悬置右支架	Right bracket, front mounting, engine		1	
9	6125Y26-1001060-KF31	发动机后悬置右下支架	Right lower bracket, front mounting, engine		1	

10-8 集中润滑系统 CHASSIS LUBRICATION SYSTEM



10-8

集中润滑系统 CHASSIS LUBRICATION SYSTEM

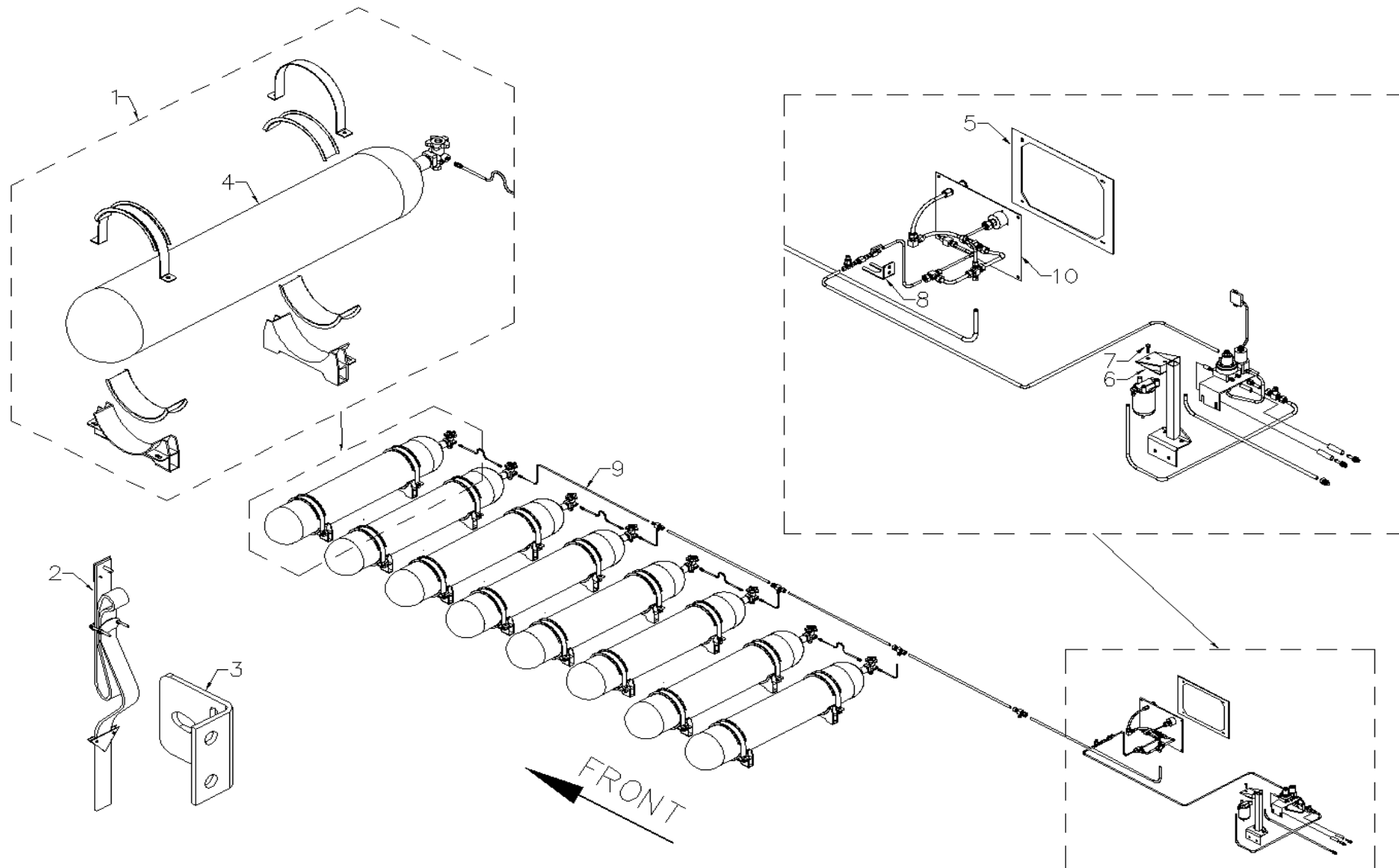
序号 S/N	件号 PART CODE	件名 PART NAME	英文件名 PART NAME	规格 SPEC	数量 QTY	备注 REMARK
1	KFU2-B40	自动润滑机	Automatic centralized lubrication		1	

11 供给系统 FUEL SYSTEM

供给系统 FUEL SYSTEM

11-G

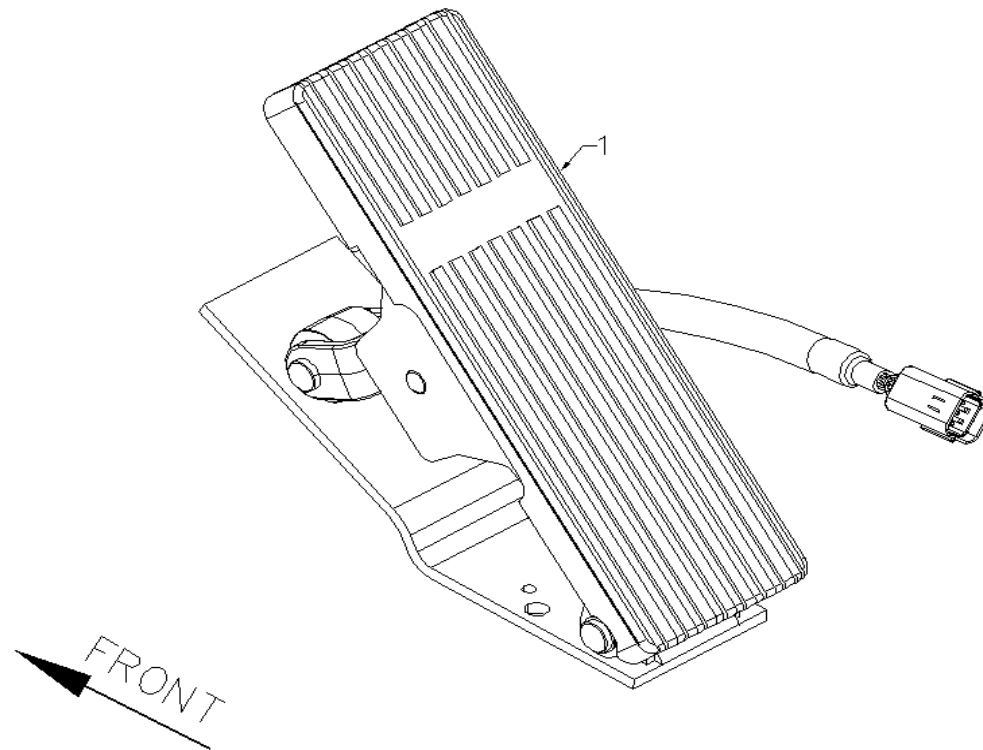
燃气供给系统 GAS SYSTEM



11-G 燃气供给系统 GAS SYSTEM

序号 S/N	件号 PART CODE	件名 PART NAME	英文件名 PART NAME	规格 SPEC	数量 QTY	备注 REMARK
1	6125Y27-1136100	CNG 供气系统总成	CNG supply system assembly		1	
2	6125G18-1136301-CW13	拖地静电排	Electry-static Discharge		1	
3	6125G18-1136601-CW13	拖地静电排支架	Electry-static Discharge frame		1	
4	CNG2-G-325-120-MBDBN	缠绕瓶	natural gas cylinder		8	
5	6125Y27-1136911	加气控制面板安装支架	The control panel the mounting frame		1	
6	6125Y27-1100013	高压滤清器支架	High pressure filter bracket		1	
7	Q1460830	组合螺栓	Filter set bolt		3	
8	6125Y27-1136301	高低压阀组合支架	Low pressure filter bracket		1	
9	FYNYJG16X4	负压耐油胶管	Tube, oil-resist, pressure resist		6	
10	6125Y27-1136110	螺栓板	Bolt plate		1	

11-2 油门操纵机构 THROTTLE CONTROL MECHANISM



11-2 油门操纵机构 THROTTLE CONTROL MECHANISM

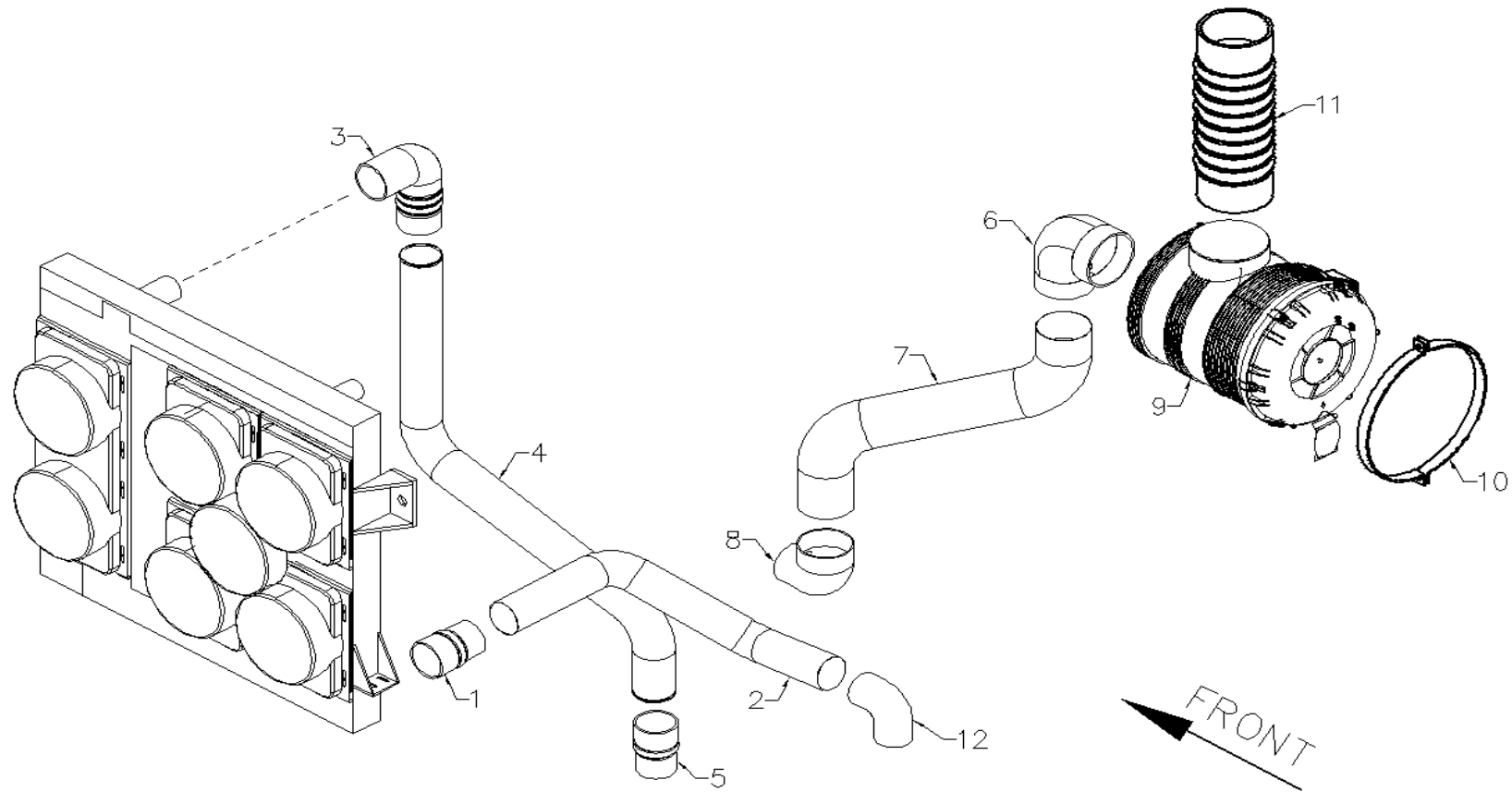
序号 S/N	件号 PART CODE	件名 PART NAME	英文件名 PART NAME	规格 SPEC	数量 QTY	备注 REMARK
1	J-P0145A	电子油门踏板	Accelerator pedal		1	

12 进气系统 AIR INTAKE SYSTEM

进气系统
AIR INTAKE SYSTEM

12-1

进气系统布置 AIR INTAKE SYSTEM

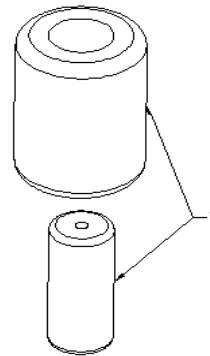
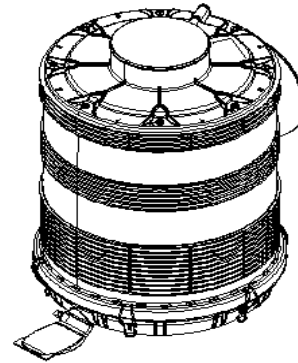
FRONT
←

12-1 进气系统布置 AIR INTAKE SYSTEM

序号 S/N	件号 PART CODE	件名 PART NAME	英文文件名 PART NAME	规格 SPEC	数量 QTY	备注 REMARK
1	GJG-89101-140-L	硅胶管	Rubber tube, air intake		2	
2	6125Y27-1109701-FK36	中冷器出气钢管	Steel tube, air intake		1	
3	GJG-6389-200-L	胶管	Rubber tube		1	
4	6125Y27-1109501-FK36	中冷器进气钢管	Steel tube, air intake		1	
5	GJGL-8920-10215-L	硅胶管	Rubber tube		1	
6	GJGL-10222-11412-L	硅胶管	Rubber tube		1	
7	6125Y27-1109401-FK36	不锈钢管	Steel tube, air intake		1	
8	GJGL-11414-15014-L	硅胶管	Rubber tube		1	
9	AH24192	空滤器	Air filter		1	
10	6125Y27-1109220-FK36	空滤抱箍 390	Clamp,air filter		2	
11	BWG-190-NR	波纹管	Corrugated rubber tube		1	
12	GJGL-7012-8912-L	硅胶管	Rubber tube		1	

AH24192

空滤器总成 AIR FILTER



AH24192

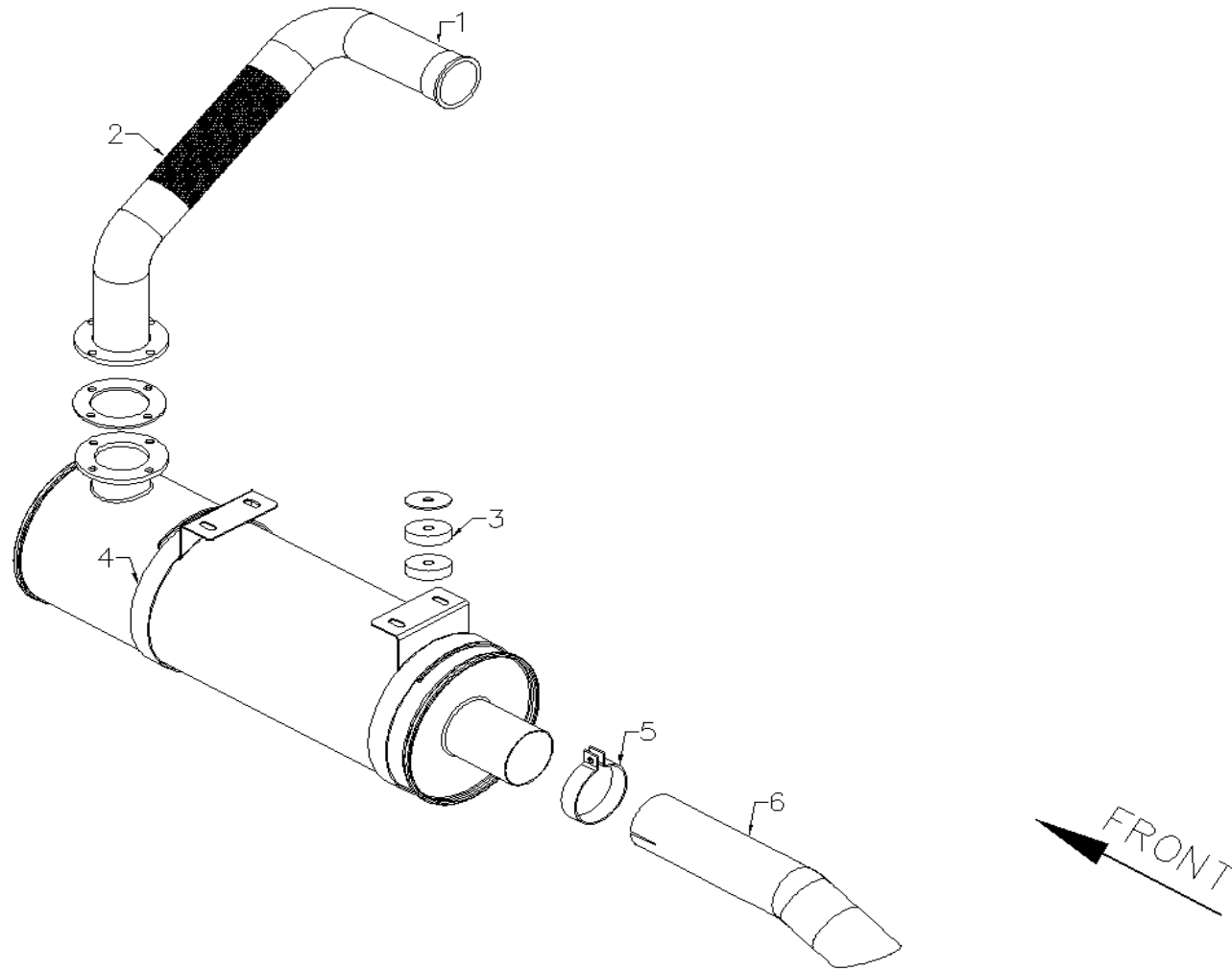
空滤器总成 AIR FILTER

序号 S/N	件号 PART CODE	件名 PART NAME	英文件名 PART NAME	规格 SPEC	数量 QTY	备注 REMARK
1	A030Y46	滤芯	Filter element			

13 排气系统 EXHAUST SYSTEM

**排气系统
EXHAUST SYSTEM**

13-1 排气系统布置 EXHAUST SYSTEM



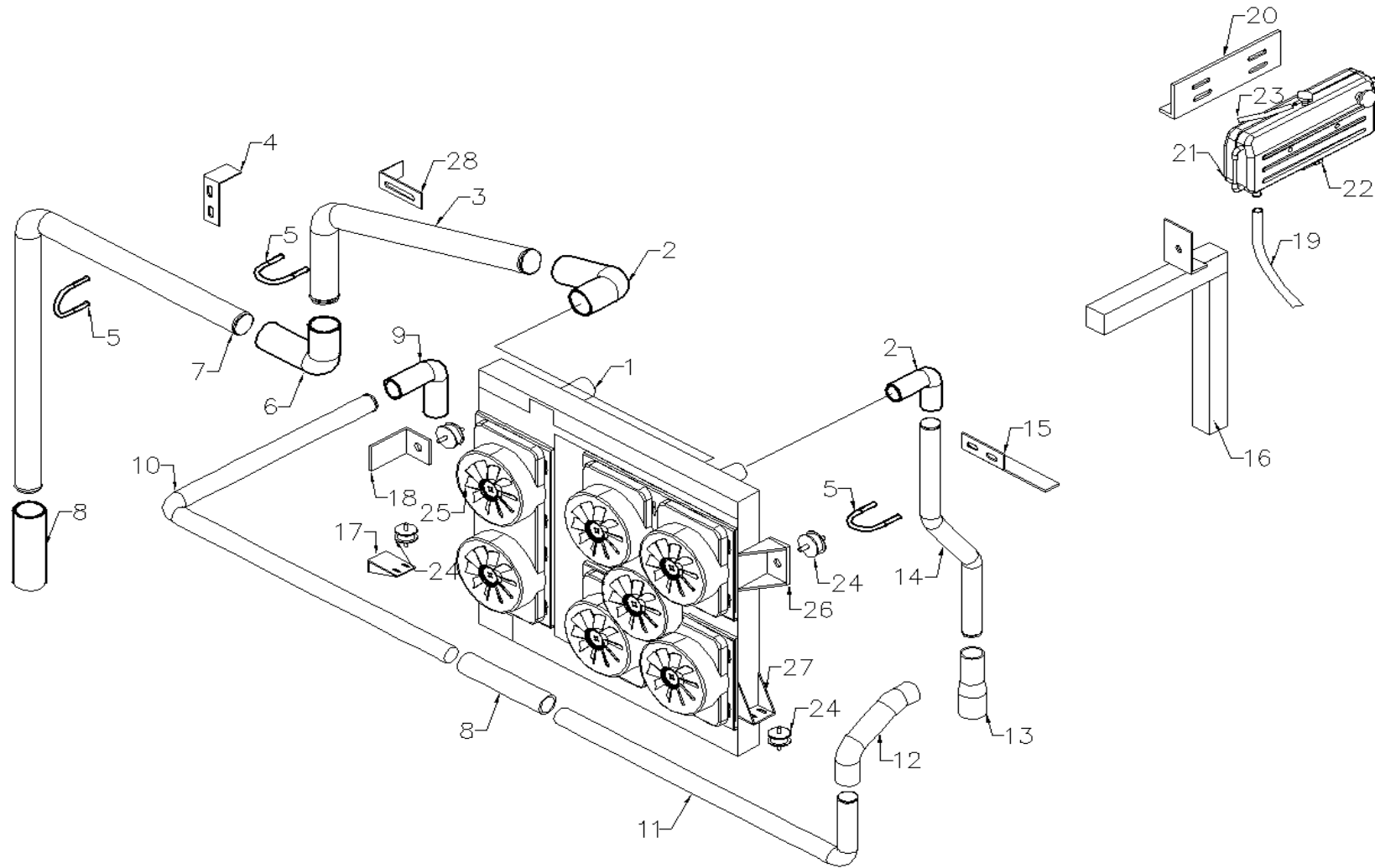
13-1 排气系统布置 EXHAUST SYSTEM

序号 S/N	件号 PART CODE	件名 PART NAME	英文件名 PART NAME	规格 SPEC	数量 QTY	备注 REMARK
1	6125Y27-1203100-FK36	排气管总成	Exhaust pipe assembly		1	
2	6103K01-1203113	排气管隔热棉	Heat insulation		1	
3	1200-014-VK0	橡胶减振垫	Cushion, rubber		8	
4	6125V05-1201210-ET14	消声器抱箍	Clamp, silencer		2	
5	6110B1-1203016	排气管固定环	Fixing ring, exhaust pipe		1	
6	6125Y27-1209100-FK36	排气尾管	Exhaust tail pipe		1	

14 冷却系统 COOLING SYSTEM

冷却系统 COOLING SYSTEM

14-1 冷却系统布置 COOLING SYSTEM

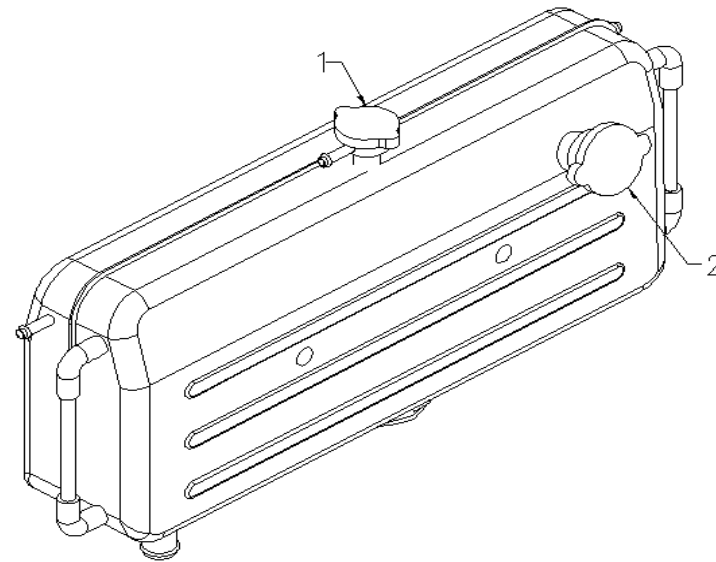


14-1 冷却系统布置 COOLING SYSTEM

序号 S/N	件号 PART CODE	件名 PART NAME	英文件名 PART NAME	规格 SPEC	数量 QTY	备注 REMARK
1	6122K07-1301010-L	散热中冷护风圈总成	Cooling system		1	
2	6112E52-1303021	橡胶接头	Hose connectors		2	
3	6125Y27-1303022	水箱出水钢管	Pipe,water outlet		1	
4	6925Y02-1303023-CX80	水管固定板	Fixing plate		2	
5	6100A1-1303312	骑马螺栓	U-bolt		3	
6	XLX1303-L-002	发动机出水胶管	Rubber pipe,water outlet		1	
7	6125Y27-1303024	自动箱进水钢管	Steel pipe,water inlet		1	
8	SG-50-240	冷却胶管	Cooling pipe		2	
9	XML1303002G6F0	发动机进水管	Pipe,water inlet		1	
10	6125Y27-1303026	自动箱出水钢管	Steel pipe,water outlet		1	
11	6125Y27-1303028	发动机进水钢管	Steel pipe,water inlet		1	
12	XML1303001G6F0	发动机进水口胶管	Rubber pipe,water outlet		1	
13	6145A01-1303015	水管接头 (3)	Pipe connector		1	
14	6125Y27-1303012	发动机出水钢管	Steel pipe,water outlet		1	
15	6125G06-1303028-L	固定支架	Bracket		1	
16	6125Y27-1302020	散热器外伸梁合件	Cross beam fitting, front, radiator		1	
17	6125Y27-1302042	散热器下焊接支架	Bracket		1	
18	6125Y27-1302040	散热器上焊接支架	Bracket		1	
19	XML8101007N1C0	热水管	Hot water pipe		4	
20	6125Y12-1311020	膨胀水箱固定支架	Bracket		1	
21	6103A01-1311010-JSHF	膨胀水箱 (横峰)	Expansion water tank assy.		1	
22	6122K01-3820810	水箱水位电子报警开关	Electric alarm switch, water level, water tank		1	
23	SYYP-08	透气胶管	Vent pipe		3	
24	1200-014-VK0	橡胶减振垫	Cushion, rubber		8	
25	W3G300-BV25-23	电子风扇	Fan		7	
26	6125Y27-1302030	散热器上安装支架	Bracket		2	
27	6125Y27-1302032	散热器下安装支架	Bracket		2	
28	6122A62-1303039	水管固定支架	Bracket		1	

6103A01-1311010-JSHF

膨胀水箱 EXPENSION WATER TANK



6103A01-1311010-JSHF

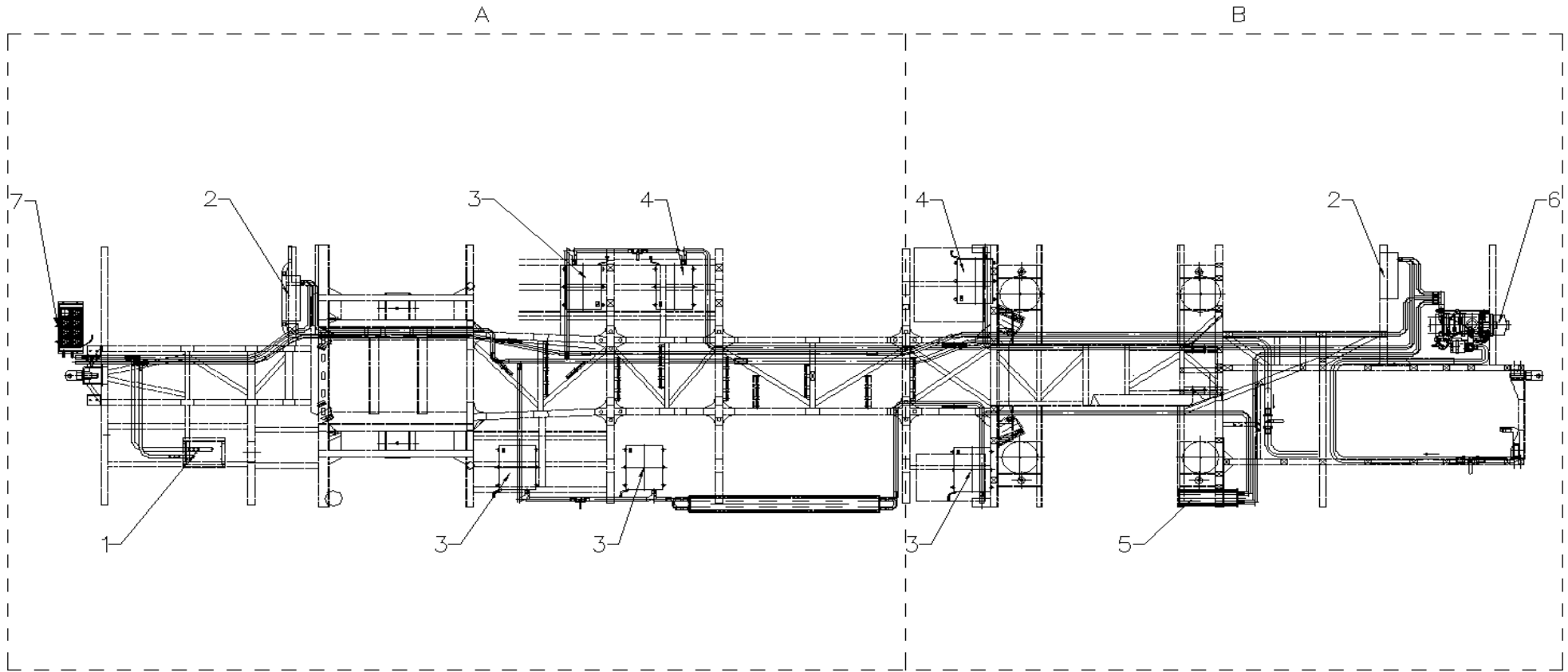
膨胀水箱 EXPENSION WATER TANK

序号 S/N	件号 PART CODE	件名 PART NAME	英文件名 PART NAME	规格 SPEC	数量 QTY	备注 REMARK
1	HFM-01-1.0	水箱盖	Cover,water tank		1	
2	HFS-01-1.2	水箱盖	Cover,water tank		1	

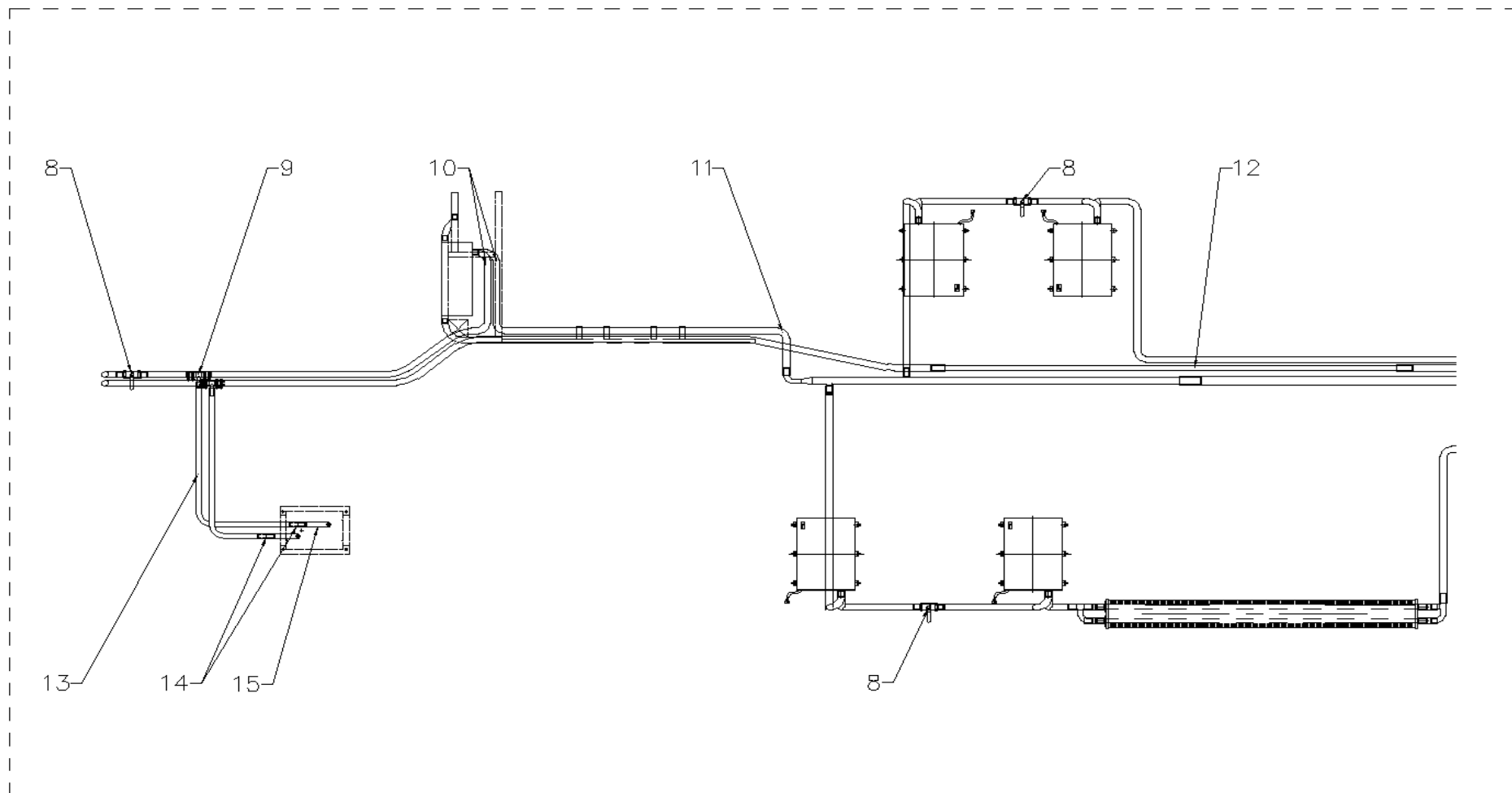
16 暖风系统 HEATING SYSTEM

**暖风系统
HEATING SYSTEM**

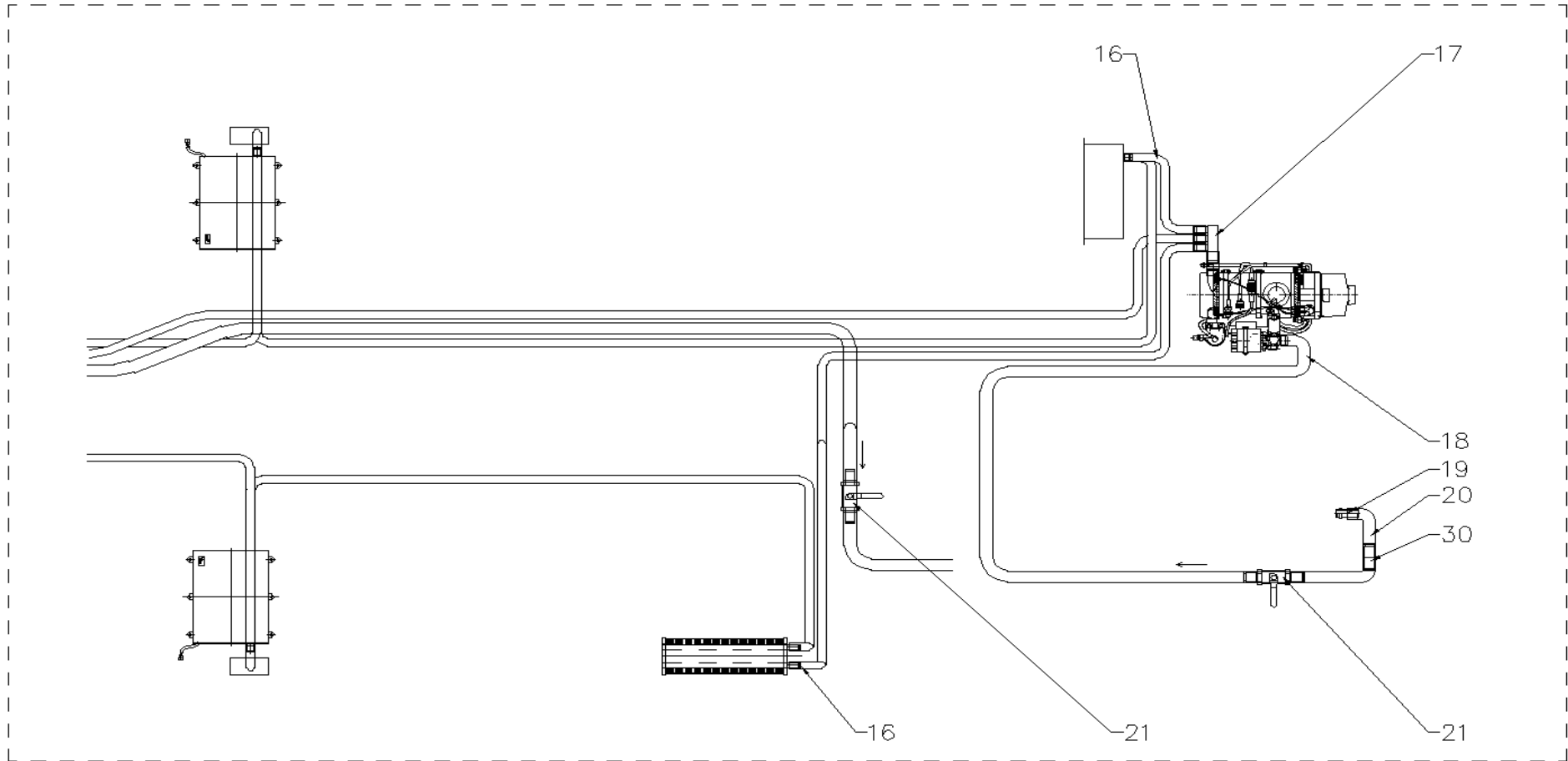
16-1 暖风管路布置 HEATING PIPELINE

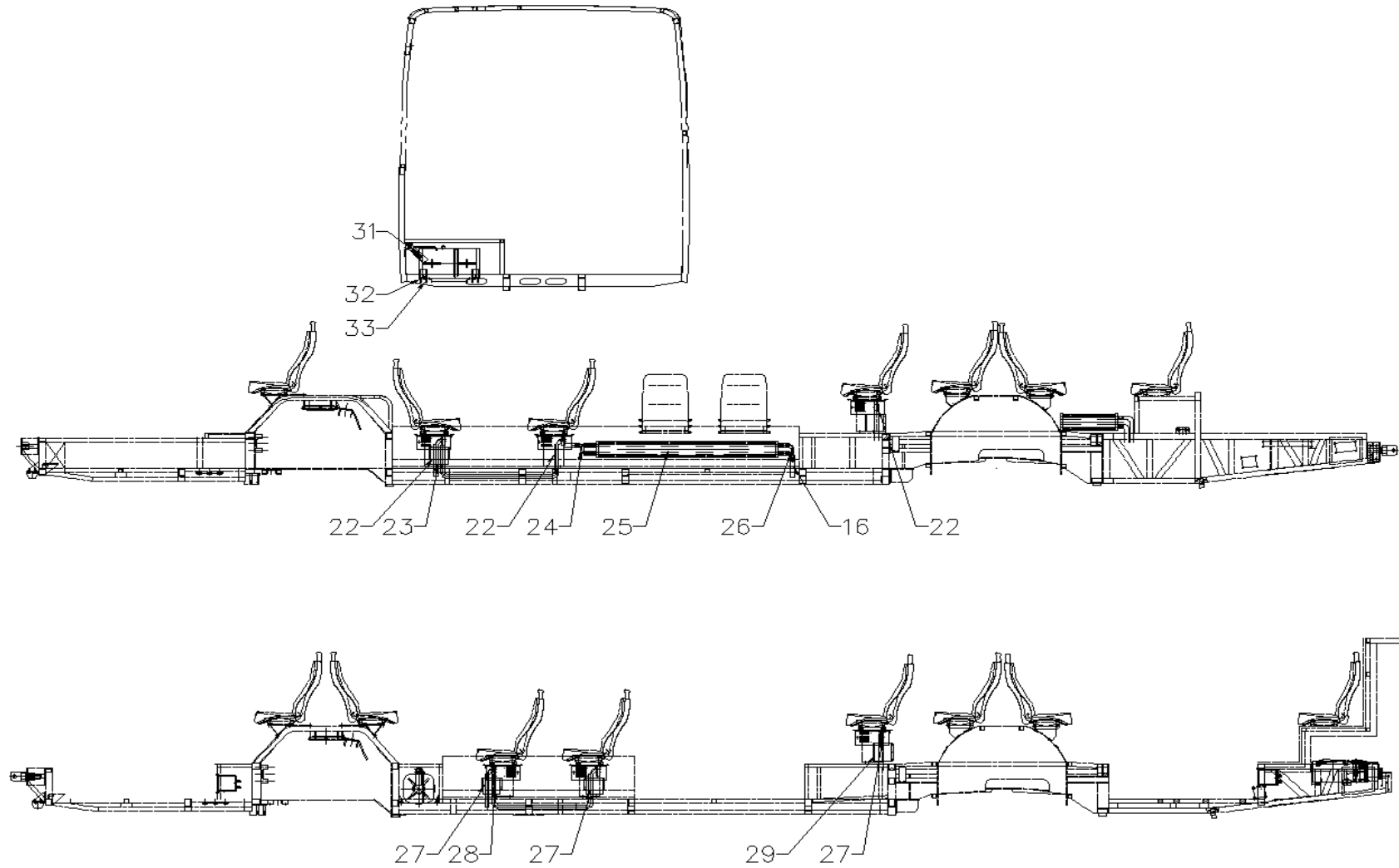


A



B





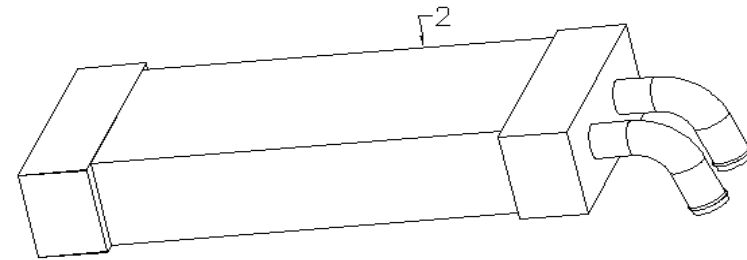
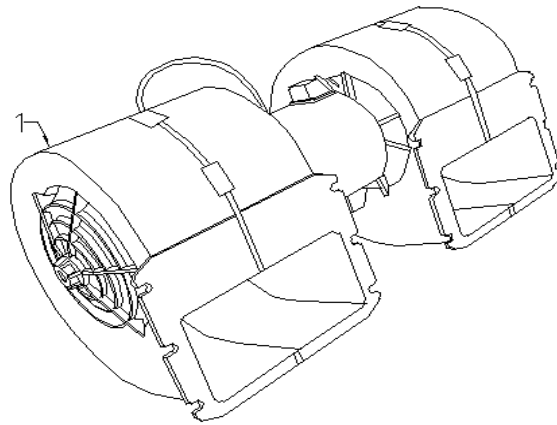
16-1

暖风管路布置 HEATING PIPELINE

序号 S/N	件号 PART CODE	件名 PART NAME	英文件名 PART NAME	规格 SPEC	数量 QTY	备注 REMARK
1	SR-15A	司机座椅下散热器	Radiator		1	
2	SR-25C-09	踏步暖风	Radiator, step		2	
3	SR-4AR/12	散热器 (右)	Radiator (right)		4	
4	SR-4AL/11	散热器 (左)	Radiator (left)		2	
5	SP-500	自然散热片	Natural fins		1	
6	T350	加热器总成	Heater		1	
7	CS-7DL-25	以色列中巴前除霜	Defroster		1	
8	6891-8101016D	球阀	Ball valve		3	
9	6127A11-8123505	三通	Tee		2	
10	6127A01-8123516E	散热器下接胶管	Rubber pipe		4	
11	6857A05-8123512	散热器连接胶管二	Connecting rubber hose, radiator II		1	
12	6125G10-8123528	不锈钢管	Stainless steel pipe		1	
13	6121C04-8123527	暖风胶管	Rubber pipe		2	
14	87125-36410	Φ16 连接铜管	Copper straight pipe		2	
15	6551L01-8123901	暖风连接管	Connecting pipe		2	
16	6891A1-8102031	暖风胶管	Hose , heating system		6	
17	6125Y19-8123501	四通	Four-way pipe		1	
18	6125Y19-8123502	接管	Connecting pipe		1	
19	6125G08-8123905	发动机取水口	Water intake, engine		1	
20	6125Y12-8123923	橡胶接头	Connector, rubber		4	
21	6155Y01-8101016	球阀	Ball valve		2	
22	6125G10-8123905	暖风管	Heating pipeline		3	
23	6105Y08-8123702	暖风管外罩	Rubber pipe cover		3	
24	6125G10-8123944	H 型三通	H-type tee		1	
25	SP-1630	自然散热片	Natural fins		1	
26	6125G10-8123945	F 型三通	F-type tee		1	
27	6105Y08-8123906	暖风胶管	Rubber pipe		3	
28	6128A01-8123901	除霜器接管	Connecting pipe		6	
29	6105Y08-8123703	暖风管外罩	Rubber pipe cover		2	
30	6155Y01-8123573	直通	Copper straight pipe		8	
31	6125Y08-8123501	加热器油箱	Oil tank		1	
32	6125Y11-1101212	油箱固定支架	Bracket		1	
33	6125Y11-1101211	油箱固定支架	Bracket		1	

CS-7DL-25

除霜器 DEFROSTER



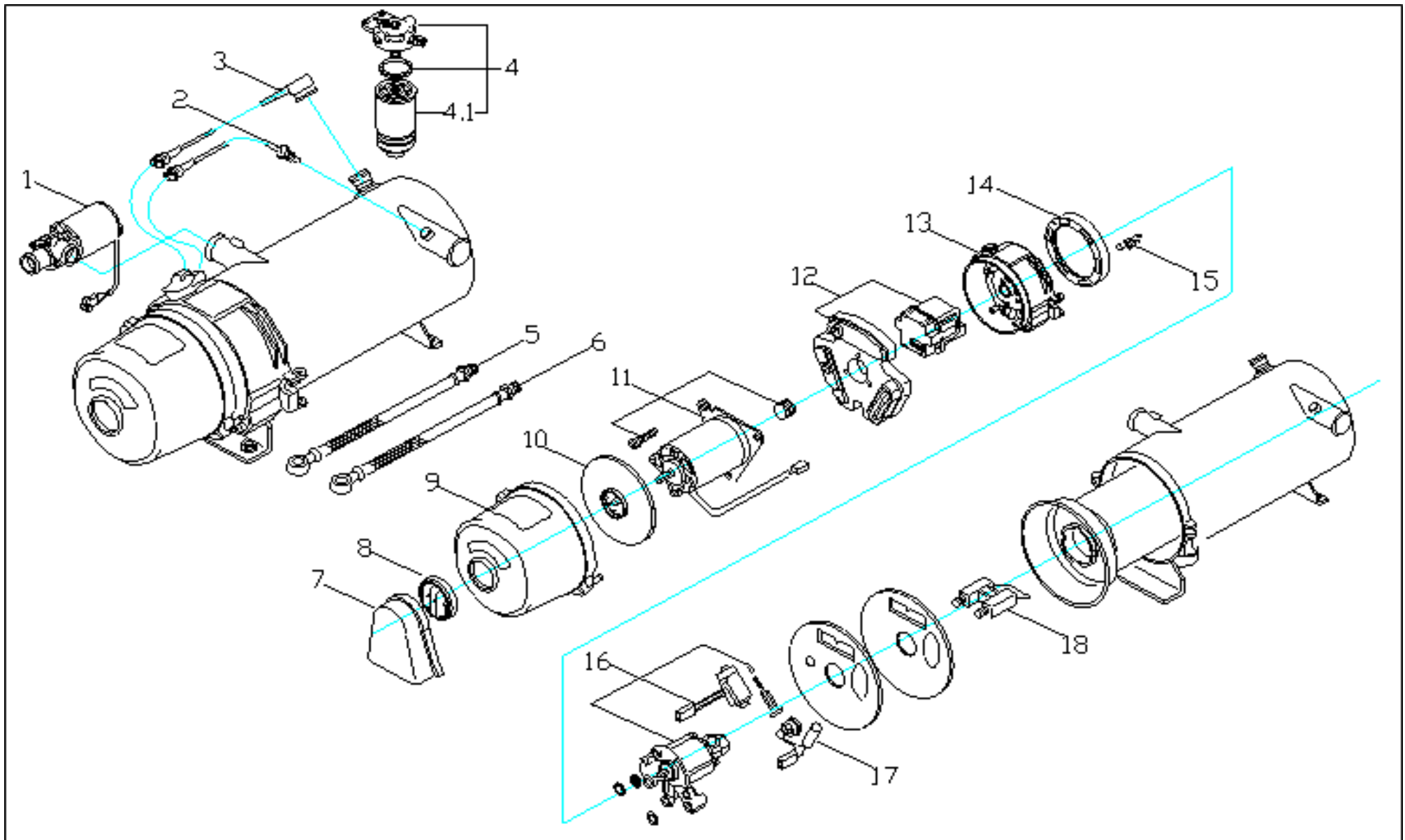
CS-7DL-25

除霜器 DEFROSTER

序号 S/N	件号 PART CODE	件名 PART NAME	英文件名 PART NAME	规格 SPEC	数量 QTY	备注 REMARK
1	009-B50-22	电机	Motor		1	
2	417	水箱	Water tank		1	

T350

加热器总成 THE HEATER ASSEMBLY



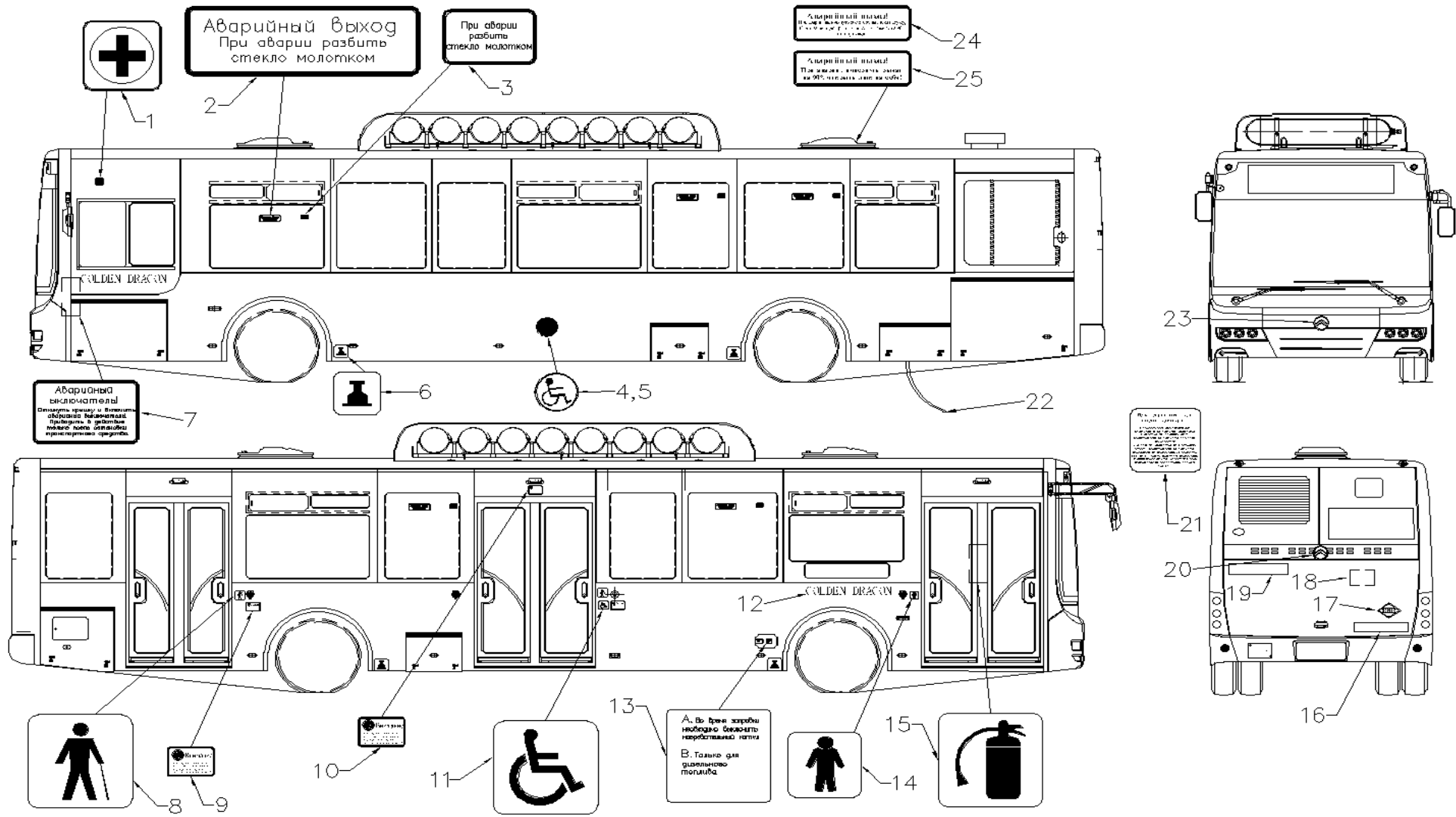
T350 加热器总成 THE HEATER ASSEMBLY

序号 S/N	件号 PART CODE	件名 PART NAME	英文件名 PART NAME	规格 SPEC	数量 QTY	备注 REMARK
1	92680C	水泵	Circulation pumpU4814		1	
2	82823C	温控开关-过热保护	overheat protection		1	
3	14941A	温度传感器	temperature sensor		1	
4	2710045A	燃油滤清器	fuel filter		1	
4	9011807C	滤芯	easy-change filter		1	4.1
5	82234B	供油管	fuel supply line		1	
6	82235B	回油管	fuel return line		1	
7	20818B	塑料护罩	splashguard		1	
8	20819A	调风罩	gride		1	
9	20649D	风扇护罩	hood		1	
10	20641B	助燃风扇	fan rotor		1	
11	21319A	电机	driver assy		1	
12	65271E	电控单元总成	electronic control unit		1	
13	82206BC	燃烧器外壳	hosing		1	
14	20820B	调节环	adjusting ring		1	
15	19970A	火焰探测器	flame detection photocell		1	
16	72030B	油泵	fuel pump		1	
17	83933B	节温器	heat element with thermostat		1	
18	14846BC	点火电极	ignition electrode		1	

17 其他说明 OTHER INSTRUCTION

**其他说明
OTHER INSTRUCTION**

17-1 整车标识牌 NAME PLATE, COMPLETE SET

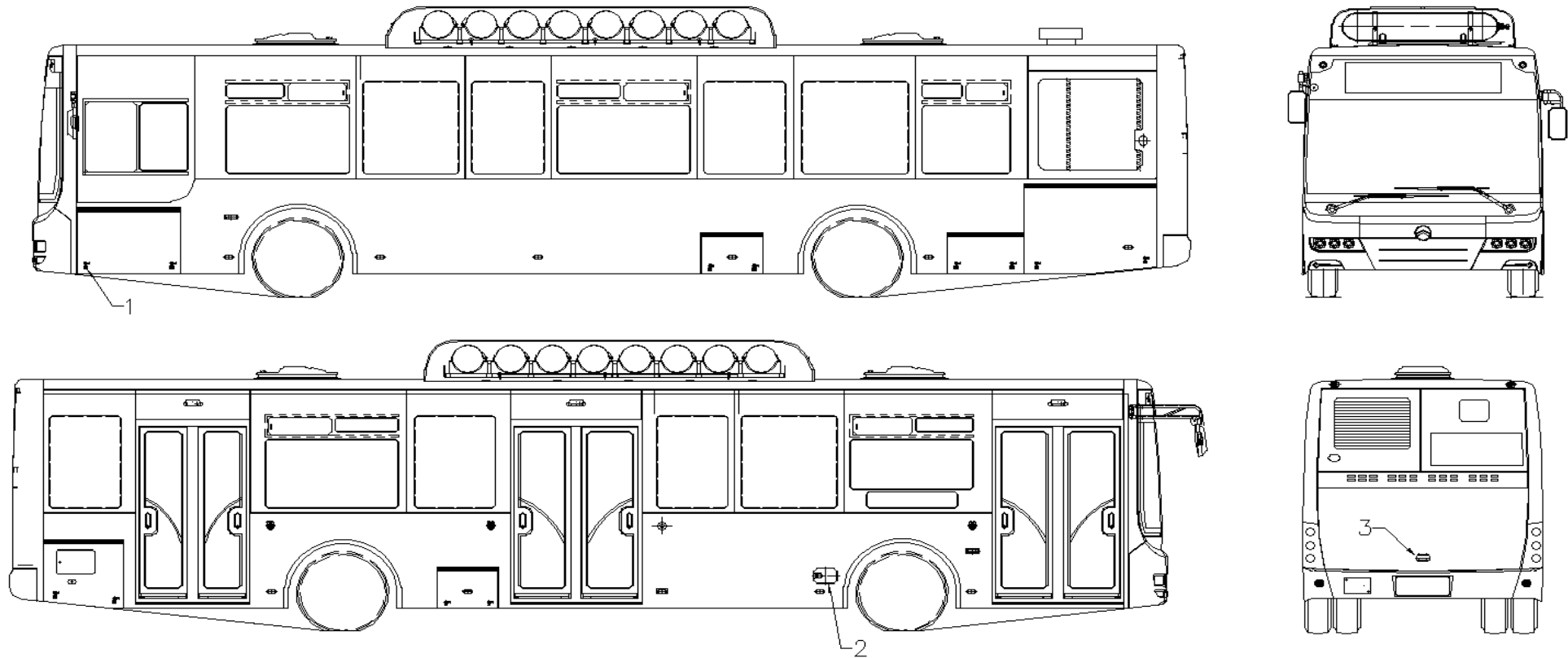


17-1 整车标识牌 NAME PLATE, COMPLETE SET

序号 S/N	件号 PART CODE	件名 PART NAME	英文件名 PART NAME	规格 SPEC	数量 QTY	备注 REMARK
1	3922-BS-YX	药箱标识	medicine kit label		1	
2	3922-BS-RUS-3	应急窗口标识(俄)	Emergency window label		5	
3	3922-BS-RUS-5	安全锤标识(俄)	Safety hammer label		5	
4	3922-BS-LYBS-3	轮椅区标识	Wheelchair region label		2	
5	3922-BS-LYBS-2	轮椅标识 2	Wheelchair label		1	
6	3922-BS-QJD	千斤顶标识	Jack label		4	
7	3922-BS-RUS-2	仪表台紧急开关标识(俄)	Emergency switch label		1	
8	3922-BS-TSZY	特殊座椅标示	Special seat label		9	
9	3922-BS-WMKG-E	车外应急门开关标识 (俄)	Outter label, emergency switch		3	
10	3922-BS-NMKG-E	车内应急门开关标识 (俄)	Emergency door switch label		3	
11	3922-BS-LYBS-1	轮椅标识	Wheelchair label		2	
12	3921-YWJLA	3.5cm 镀铬 GOLDEN DRAGON	Golden Dragon English label		2	
13	3922-BS-RUS-6	加油口标识(俄)	Label, oil filler(Russia)		1	
14	3922-BS-CKRK	乘客入口标识	Passenger entrance label		1	
15	3922-BS-MHQ	灭火器标识	Label, fire extinguisher		2	
16	3921-YWJLA-3	镀铬 GD BUS	Chrome GD BUS		1	
17	3921-CNG	CNG 标志牌	CNG label		3	
18	3921-NOISE	发动机舱降噪标牌	Engine compartment noise sign		1	
19	3921-XML6125CN	“XML6125CN”车型牌	Model label		1	
20	3921-BZ180	金旅标牌 LOGO	Golden Dragon label		1	
21	3922-BS-RUS-10	启动盒标识(俄)	Starting box label(Russia)		1	
22	6125G18-1136301-CW13	拖地静电排	Mop electrostatic discharge		1	
23	3921-BZ130	金龙标志(外径 130)	Golden Dragon label (outer diameter 130)		1	
24	3922-BS-RUS-4	逃生天窗内部标识(俄)	Escaping skylight inner identifier (Russia)		3	
25	3922-BS-RUS-7	逃生天窗外部标识(俄)	Escaping skylight external ID (Russia)		2	
26	3922-BS-OLDS-1	行动不便人员标识	Mobility personnel identification		2	

27	ECE3921-KBV1-0	欧盟铭牌	EU nameplate		1	
28	EEC3921-KBV1-E3	俄罗斯认证铭牌	Russian certification nameplate		1	
29	EEC3921-KBV1-4	欧盟铭牌	Interior name plate		1	

17-2 整车锁 LOCK, COMPLETE SET



17-2 整车锁 LOCK, COMPLETE SET

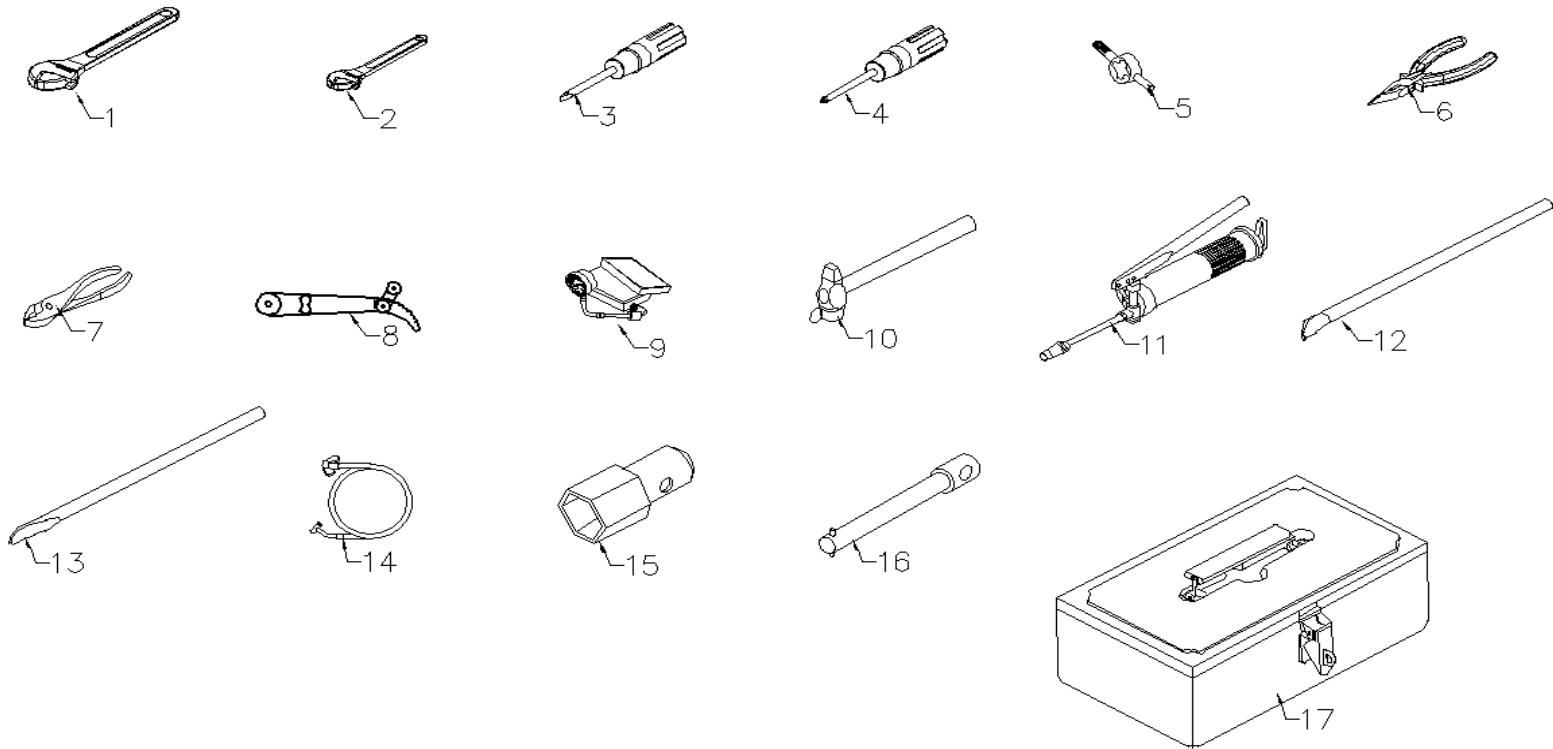
序号 S/N	件号 PART CODE	件名 PART NAME	英文件名 PART NAME	规格 SPEC	数量 QTY	备注 REMARK
1	JF/09C	后仓门锁内三角	Lock, rear compartment door		12	
2	JF/161	JF/161 油箱门锁	JF/161 Fuel tank lock		2	
3	JF/184A	后仓门锁	Lock, rear compartment door		1	

17-3 随车工具 TOOLS SUPPLIED WITH THE BUS

序号 S/N	件号 PART CODE	件名 PART NAME	英文件名 PART NAME	规格 SPEC	数量 QTY	备注 REMARK
1	HZKG-3900	随车工具箱	TOOLS SUPPLIED WITH THE BUS		1	
2	HZKG-0000-16T	16T 千斤顶	16T Jack		1	
3	KS508	三角警告牌	Warning triangle		1	
4	HZKG-0000-S32	S32 车轮套筒扳手	S32 Wrench, sleeve, wheel		1	
5	6122A01-3900011	防潮垫	Moisture-proof pad		1	

HZKG-3900

随车工具箱 TOOLS SUPPLIED WITH THE BUS



HZKG-3900

随车工具箱 TOOLS SUPPLIED WITH THE BUS

序号 S/N	件号 PART CODE	件名 PART NAME	英文件名 PART NAME	规格 SPEC	数量 QTY	备注 REMARK
1	HZKG-0000-34	大活动扳手	Large spanner wrench		1	
2	HZKG-0000-33	小活动扳手	Small spanner wrench		1	
3	HZKG-0000-100	一字型螺钉旋具	Linear shape spinning tool		1	
4	HZKG-0000-57	十字型螺钉旋具	Hex screw spinning tool		1	
5	HZKG-0000-36	气门芯扳手	Wrench, tire valve		1	
6	HZKG-0000-58	尖嘴钳	sharp nose pliers		1	
7	HZKG-0000-39	鲤鱼钳	Slip joint plier		1	
8	HZKG-0000-56	滤清器扳手	Fuel filter wrench		1	
9	HZKG-0000-35	轮胎气压表	Tyre pressure gauge		1	
10	HZKG-0000-32	手锤	Hand hummer		1	
11	39G13-00018	黄油枪带软管	Grease gun with hose		1	
12	HZKG-0000-2	撬棒（勾型）	Lever（hook type）		1	
13	HZKG-0000-1	撬棒（舌型）	Lever（tongue type）		1	
14	HZKG-0000-69	打气软管	Inflation hose		1	
15	HZKG-0000-s22	车轮套筒扳手	Wrench, sleeve, wheel		1	
16	HZKG-0000-7	备胎升降杆	Spare tyre regulator		1	
17	HZKG-0000-0	随车工具箱	Tools supplied with the bus		1	

17-4 整车线束 HARNESS, COMPLETE SET

序号 S/N	件号 PART CODE	件名 PART NAME	英文件名 PART NAME	规格 SPEC	数量 QTY	备注 REMARK
1	6105Y08-4011050-FK34	前围线束	Harness, front panel		1	
2	6125Y23-4003020-FK36	仪表线束	Instrument harness		1	
3	6125Y23-4010080-FK36	ASR 线束	ASR harness		1	
4	6100A1-3724150	起动机搭铁线	Earth wire, starter		1	
5	6125Y23-4010730-FK36	ECAS 线束	ECAS harness		1	
6	6125Y23-4010310-FK36	电子冷却风扇线束	Condensor fan harness		1	
7	485.07020-27	探头线	Probe line		1	
8	485.07015-27	探头线	Probe line		1	
9	6125Y23-3621001-FK36	变速器线束	Transmission harness		1	
10	6125Y23-4002030-FK36	顶棚线束	Roof harness		1	
11	6125Y23-4001770-FK36	电喷发动机线束	Engine wire harness, electronic injection		1	
12	6125Y23-4010010-FK36	底盘线束	Harness, chassis		1	
13	6125Y23-3724070-FK36	加热器线束	Harness, heater		1	
14	DLX0580035-0808R	发电机连线	Connecting wire, generator		1	
15	6125Y23-4013180-FK36	尾灯线束	Harness, taillight		1	